

KATO

IC70R

CRAWLER CARRIER

AVAILABLE FOR
RENT OR SALE



www.atsequipment.com

FULL-ROTATING CRAWLER CARRIER

This new, safe and compact full-rotating crawler carrier has one of the lowest heights in all crawler carriers. It is also the narrowest machine in its class and can enter very tight working spaces and reduce the collision risk. The upper body can fully rotate together with vessel dump. It has a new and ergonomic cabin for the best comfort (air conditioning, acceleration pedal, color LCD monitor, 2-step slide seat in a low position). A camera to minimize blind spots can grant a better visibility on the right-hand side of the cabin. Better layout for easy maintenance.



Key Specifications

Engine:	Kubota V5009, 140 kW, 188hp
Payload Capacity:	15,432 lbs
Operating Weight:	25,408 - 25,575 lbs
Dimensions:	18'2" L x 8'2" W x 8'10" H
Vessel Capacity:	4 cubic yards
Ground Pressure (Loaded):	6.17 psi
Travel Speed:	5.0 mph (low) / 7.5 mph (high)
Rotation:	360-degree continuous

Key Features

Performance:	20-degree gradeability and 65-degree dump angle
Cabin:	ROPS/TOPS enclosed cabin with A/C, heating, and a 2-step slide seat
Operation:	Joystick controls for travel and rotation
Structure:	Low/narrow design for tight spaces with a 22" ground clearance
Safety:	Rear/side camera and overload alert

ATS EQUIPMENT INC. Construction Equipment & Supplies Rentals • Sales • Service

BOSTON, MA
(617) 825-3600

AUBURN, MA
(508) 832-8500

REHOBOTH, MA
(508) 379-6200

CANDIA, NH
(603) 483-2100

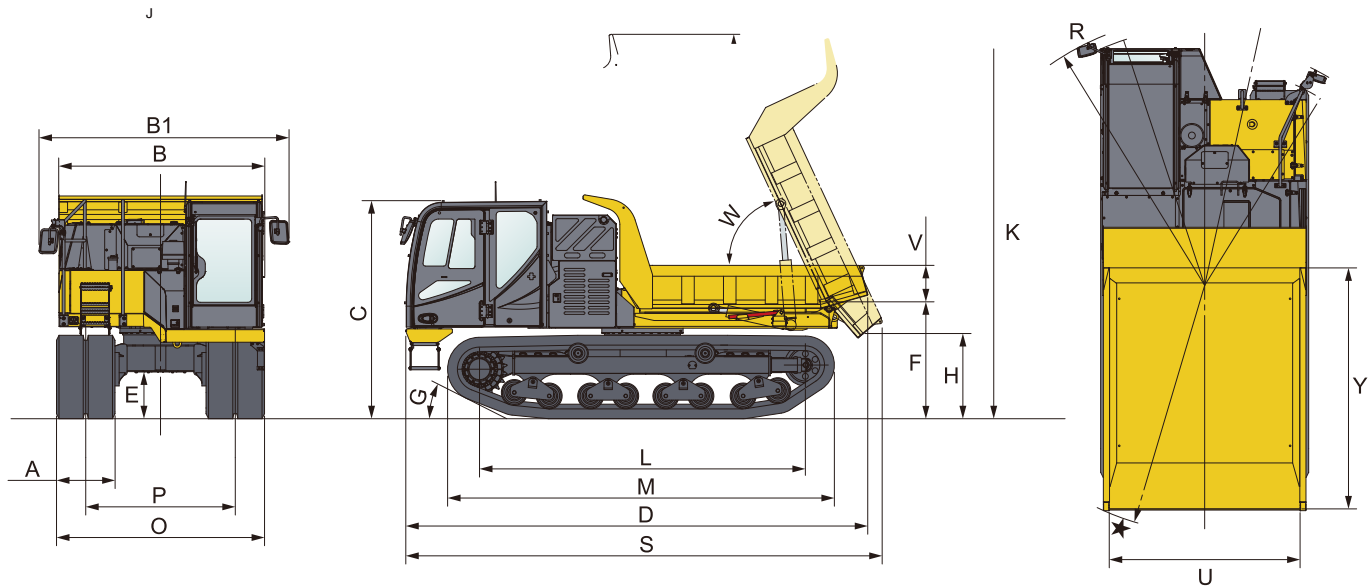
AVAILABLE FOR RENT OR SALE

KATO IC70R

FULL-ROTATING CRAWLER CARRIER



www.atsequipment.com



DIMENSIONS

Vessel Specifications		Scoop End
B	Upper Machine Width	no side mirror 8' 2"
B1	Machine Width	with side mirror 9' 10"
C	Overall Height	8' 9"
D	Overall Length	18' 3"
E	Minimum Ground Clearance	1' 10"
F	Body Height	4' 8"
Y	Vessel Dimension	Length 9' 6"
U		Width 7' 5"
V		Height 1' 5"
G	Approach Angle	27°
R	Rotation Radius	7' 4"
★	Vessel Rotation Radius	10' 0"

DUMPING

S	Overall Length	18' 9"
K	Overall Height	14' 11"
H	Vessel Floor height from ground when dumping	3' 11"
W	Dumping Angle	3' 4"

CRAWLER

L	Tumbler Center Distance	12' 10"
M	Crawler Overall Length	15' 2"
O	Crawler Overall Width	8' 2"
P	Crawler Center Distance	5' 10"
A	Crawler Width	27.6"
Crawler Shoe Pitch		3.94"
Crawler Shoe Number		98x2

Standard Equipment

Crawler Shoe	2' 3.6" Rubber Crawler Shoes
Vessel	Scoop End (Reinforced Steel)
Operation Cabin	ROPS Cabin, Window Washer, Cigar Lighter Socket, Room Light, Air Conditioner, USB Socket (5V), Color Display
Operation Lever	Joystick Lever (Travel), Joystick Lever (Rotation)
Attachments	Alarm (Horn), Back Alarm, LED Headlight, Floor Mat
Others	Seat with Suspension, Seat Belt, Side/Back Monitor, Overload Prevention Alert Dump Count Function

Option

Operation Cabin	Radio
Operation Lever	Travel Pedal
Attachments	Grease Pump Holder, LED Backlight

ATS EQUIPMENT INC. Construction Equipment & Supplies Rentals • Sales • Service

BOSTON, MA
(617) 825-3600

AUBURN, MA
(508) 832-8500

REHOBOTH, MA
(508) 379-6200

CANDIA, NH
(603) 483-2100