

Miller Curber Co. LLC

MC650

AVAILABLE FOR
RENT OR SALE



www.atsequipment.com

CONCRETE OR ASPHALT CURBILDER

The Miller MC-650 Commercial Curbilder is a high-performance machine powered by a 13 HP Honda engine with electric start, designed for concrete or asphalt curb extrusion. It features a 718 lbs operating weight, a 6.1 cu. ft. hopper, and 4 interchangeable, reversible auger assemblies (5" to 10"). It can place curbs within 1" of obstacles and offers dual-side extrusion.

| | |
|---------------------------------------|--|
| Operating Weight | 718 lb. |
| Height (steering handle down) | 38" |
| Width | 32.25" |
| Length with Form (steering handle up) | 77.5" |
| Wheelbase | 52.75" |
| Hopper Capacity | 6.1 cubic feet |
| Standard Tire Configuration | (9) 8" dia. x 2 |
| Engines | 13 HP Honda 14 HP Kohler |
| Engine Starting System | Recoil / Electric |
| Fuel Capacity | 1.6 gal. |
| Standard Auger Configuration | (2) cast 6" dia. x 9" |
| Optional Auger Configurations | (2) cast 5" dia. (1) welded 8" dia. x 18" lg |
| Hollow Auger Shaft (to extrude rebar) | Optional |
| Drive System | Automatic centrifugal clutch to enclosed 8:1 gear reducer; final auger drive chain & sprocket Extrusion process provides self-propulsion |
| Steering | Tie rod with 40" steering handle |
| Brake | Friction pad on steering handle |

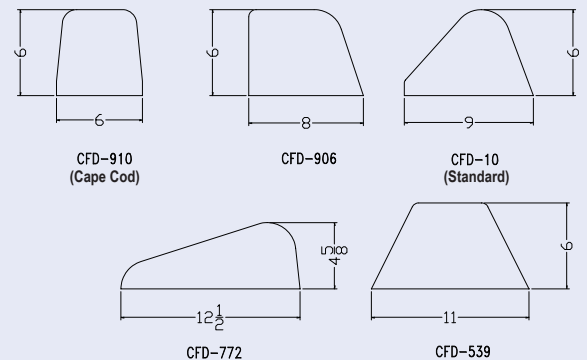


A Sample of the Nearly 2,000 Curb Designs

Use the following chart as a guide to determining the proper auger.

| Auger Size | Cross Sectional Area | | Height | | Width | |
|------------|----------------------|-------------|--------|-----|-------|-----|
| | Min | Max | Min | Max | Min | Max |
| 5" | 18 sq. in. | 35 sq. in. | 3.5" | 6" | 5" | 9" |
| 6" | 33 sq. in. | 55 sq. in. | 4" | 10" | 6" | 14" |
| 8" | 56 sq. in. | 119 sq. in. | 6" | 18" | 8" | 18" |
| 10" * | 120 sq. in. | 220 sq. in. | 8" | 18" | 10" | 18" |

* MC850 and MC900 only



ATS EQUIPMENT INC. Construction Equipment & Supplies Rentals • Sales • Service

BOSTON, MA
(617) 825-3600

AUBURN, MA
(508) 832-8500

REHOBOTH, MA
(508) 379-6200

CANDIA, NH
(603) 483-2100