



# TRKx-SC3

AVAILABLE FOR RENT OR SALE



[www.atsequipment.com](http://www.atsequipment.com)

## REMOTE-CONTROLLED TRENCH ROLLER



### The smart remote-controlled trench roller

The RT trench roller with the SC3 infrared-remote control offers proven compaction results with safer operation. The smart control uses an infrared signal with line-of-sight control. The machine stops moving and vibrating should the line-of-sight be lost or if the operator comes within three feet (one meter) of the roller's receiving eyes with the control box. The articulated trench roller offers below the axle exciter in each drum to allow for the efficient transfer of compaction energy to the soil for superior compaction results. Available with the choice of Kohler or Kubota engine.

- Patented three receiving eye design eliminates signal loss from trench shoring while retaining the line-of-sight control of the roller. With 16 channel transmission, multiple rollers can be operated on the same jobsite without interference from one another.
- RTx model offers flexible drums that allows for convenient conversion from 32 in/82 cm to 22in/56 cm. The easy to remove extensions have a central mounting system that protects the bolts from exposure to damage during operation. The articulated joint increases maneuverability and the low center of gravity improves stability. High and low compaction force provides flexibility depending on the job.
- The lower end is completely maintenance-free due to the self-lubricating design of the drive and the exciter.
- The engine control module with diagnostic LEDs monitors machine functions such as oil pressure, radiator level, engine temperature, glow plug, battery and air filter capacity for easy operation and troubleshooting



**ATS EQUIPMENT INC.**

**Construction Equipment & Supplies**

**Rentals • Sales • Service**

**BOSTON, MA**  
**(617) 825-3600**

**AUBURN, MA**  
**(508) 832-8500**

**REHOBOTH, MA**  
**(508) 379-6200**

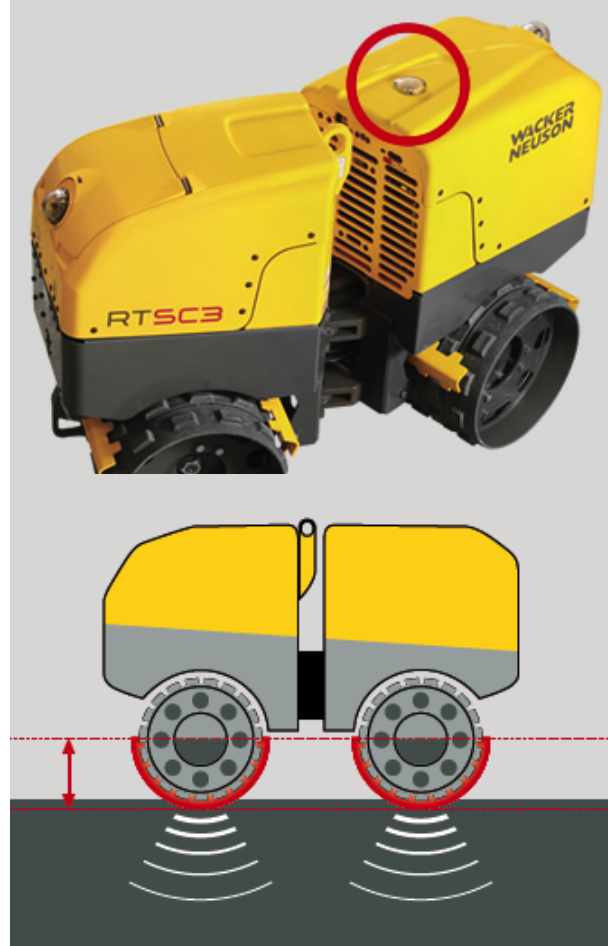
**CANDIA, NH**  
**(603) 483-2100**

## REMOTE-CONTROLLED TRENCH ROLLER

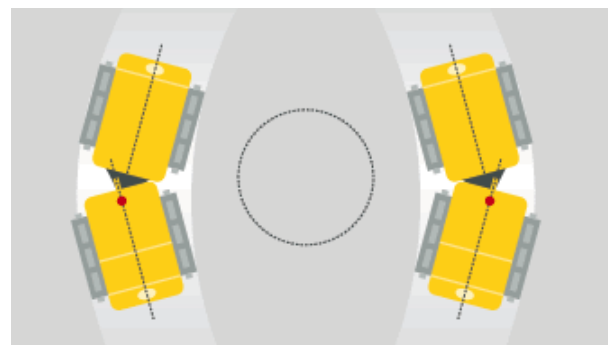
### Technical specifications

	RTKx-SC3
<b>Operating data</b>	
Operating weight lb	3,235
L x W x H in	73 x 32 x 50
Drum diameter in	20.5
Width Drum in	22 / 32*
Centrifugal force (min.) lbf	7,688.5
Centrifugal force (max.) lbf	15,377
Frequency Hz	41.7
Linear force static (per drum) lb/in	55.4
Linear force dynamic (per drum) lb/in	258
Travel speed forward mph	2.5
Travel speed reverse mph	2.5
Turning radius inner in	63
Surface capacity max. (depending on soil consistency) ft <sup>2</sup> /h	10,654
Gradeability max. (without vibration) %	50
Gradeability max. (with vibration) %	50
<b>Engine / Motor</b>	
Engine / Motor type	Water-cooled 3-cylinder diesel engine with electric starter
Engine / Motor manufacturer	Kubota D902
Displacement in <sup>3</sup>	54.8
Operating performance (DIN ISO 3046) hp	20.8
RPM / speed Operating rpm	3,000
Fuel type Low Sulfur / Ultra Low Sulfur	Diesel
Fuel consumption US gal/h	1.2
Tank capacity US gal	6.3

Third infrared receiving eye  
 A prominently placed infrared receiving eye on top of the Trench Roller ensures that the remote control contact is maintained permanently, even in the trench shoring.



Below the axle exciter in each drum: means more efficient transfer of compaction energy to the soil and improved stability of the machine.



The articulated joint enables continuous operation around curved building segments.

**ATS EQUIPMENT INC. Construction Equipment & Supplies Rentals • Sales • Service**

**BOSTON, MA**  
**(617) 825-3600**

**AUBURN, MA**  
**(508) 832-8500**

**REHOBOTH, MA**  
**(508) 379-6200**

**CANDIA, NH**  
**(603) 483-2100**