



CA1500

**AVAILABLE FOR
RENT OR SALE**



www.atsequipment.com

SINGLE DRUM VIBRATORY ROLLER

TECHNICAL DATA

MASSES

Operating mass (incl. ROPS)	15,500 lbs
Operating mass (incl. Cab)	15,900 lbs
Module mass (front/rear)	7,750 lbs/7,750 lbs
Max. operating mass	18,700 lbs

COMPACTION

Static linear load	118 lbs/in
Nominal amplitude (high/low)	0.071 in/0.031 in
Vibration frequency (high/low amplitude) SEISMIC available (values for manual mode)	1,920 vpm /2,160 vpm
Centrifugal force (high/low amplitude)	29,900 lbs/16,200 lbs

PROPULSION

Speed range	8 /12 /12 km/h
Tire size (8 ply)	14.9 x 24 TL
Max. theoretical gradeability	55 %
Vertical oscillation	±9°



ENGINE

Manufacturer/Model	Deutz TD3.6/DPF (V)
Type	Water cooled turbo Diesel
Rated power, ISO 14396	55 kW (75 hp) @ 2200 rpm
Fuel tank capacity	50 gal

ENGINE

Manufacturer/Model	Cummins QSB3.3 (IIIA/T3)
Type	Water cooled turbo Diesel
Rated power, ISO 14396	74 kW (100 hp) @ 2,200 rpm
Fuel tank capacity	50 gal

ENGINE

Manufacturer/Model	Cummins QSB3.3 (IIIA/T3)
Type	Water cooled turbo Diesel
Rated power, SAE J1995	82 kW (110 hp) @ 2200 rpm

HYDRAULIC SYSTEM

Driving	Hydrostatic
Vibration	Hydrostatic
Steering	Hydrostatic
Service brake	Hydrostatic in forward and reverse lever.
Parking/ Emergency brake	Failsafe multidisc brake in drum gear box and in rear axle.

Part & Supplies Rentals • Sales • Service

BOSTON, MA
(617) 825-3600

AUBURN, MA
(508) 832-8500

REHOBOTH, MA
(508) 379-6200

CANDIA, NH
(603) 483-2100

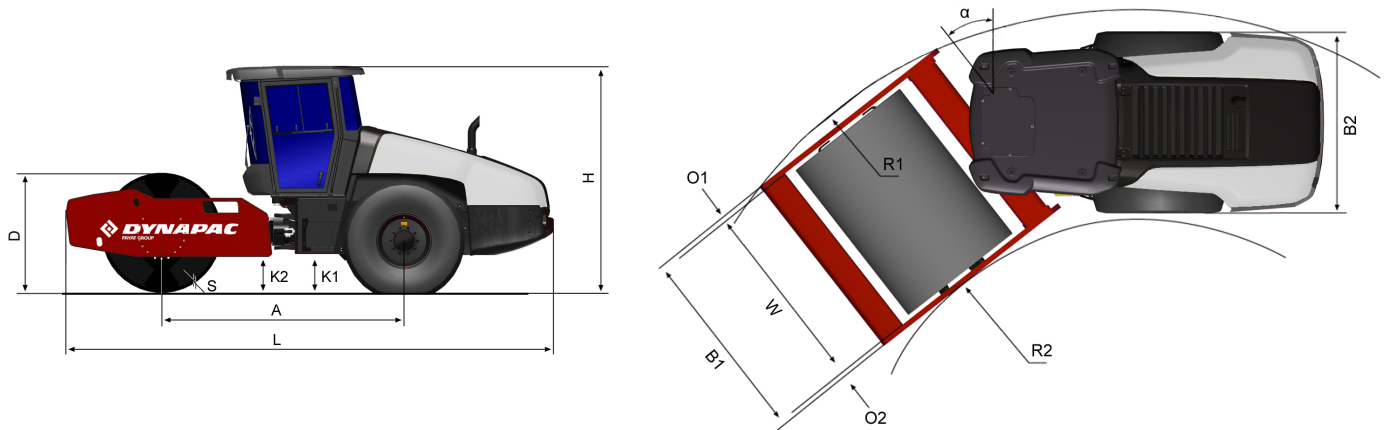
AVAILABLE FOR RENT OR SALE

CA1500

SINGLE DRUM VIBRATORY ROLLER



www.atsequipment.com



DIMENSIONS

DIMENSIONS

A. Wheelbase	106 in
B1. Width, front	73 in
B2. Width, rear	67 in
D. Drum diameter	48 in
H. Height, with ROPS/cab	107 in
K1. Ground clearance	13 in
K2. Curb clearance	14 in
L. Length	208 in
O1. Overhang, right	4 in
O2. Overhang, left	4 in
R1. Turning radius, outside	16 ft
R2. Turning radius, inside	10 ft
S. Drum shell thickness	0.87 in
W. Working width	66 in
α . Steering angle	$\pm 38^\circ$

OPTIONAL EQUIPMENT

Air Conditioning /Automatic Climate Control (ACC) (Optional)

- The system contains fluorinated greenhouse gases.
- Coolant designation: HFC-134a
- Coolant weight when full: 1,35 kg
- CO₂-equivalent: 1,930 ton
- GWP: 1430

ATS EQUIPMENT INC. Construction Equipment & Supplies Rentals • Sales • Service

BOSTON, MA
(617) 825-3600

AUBURN, MA
(508) 832-8500

REHOBOTH, MA
(508) 379-6200

CANDIA, NH
(603) 483-2100