

AVAILABLE FOR RENT OR SALE

# *MQ Mikasa* **MVC82VHW**



[www.atsequipment.com](http://www.atsequipment.com)

## FORWARD SOIL PLATES

- Reliable engine with Honda GX160 offering easy start-up and low oil shutdown for durability.
- Cyclonic pre-cleaner captures most airborne contaminants for engine protection and extended service life.
- Anti-vibration handle dramatically reduces operator fatigue and increases productivity.
- Solid, high-strength steel base plate for durability.
- Tubular steel roll bar protects engine components and provides central lifting point.
- Sealed belt cover keeps dirt and rocks out extending belt life.
- Open base plate design makes for easier removal of dirt and rock build-up.
- Cog-tooth belt drive enables longer life compared to conventional V-belts.
- Front mounted exciter assembly allows for easy service access.
- Removable, tool-free water tank can easily be refilled to 11.5 quart capacity.

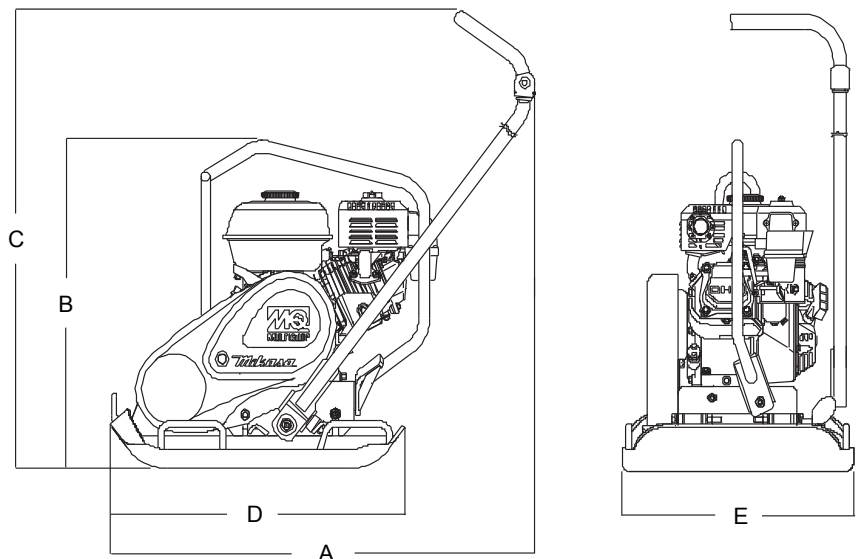


### SPECIFICATIONS

Centrifugal Force: 3080 lb  
Exciter Speed: 5600 VPM  
Plate Size: 17.7 x 22.4 in  
Max Forward Speed Per Min.: 72 ft  
Fuel Consumption Per Hour: 0.31 gal  
Water Tank Capacity: 11.5 qt  
Operating Weight: 181 lb  
Shipping Weight: 200 lb

### DIMENSIONS & WEIGHTS

A	21.9" L (including handle)
B	20.6" H (without handle)
C	32.6" H (including handle)
D	37.4" Plate Length
E	41.3" Plate Width



**ATS EQUIPMENT INC.**    **Construction Equipment & Supplies**    **Rentals • Sales • Service**

**BOSTON, MA**  
**(617) 825-3600**

**AUBURN, MA**  
**(508) 832-8500**

**REHOBOTH, MA**  
**(508) 379-6200**

**CANDIA, NH**  
**(603) 483-2100**