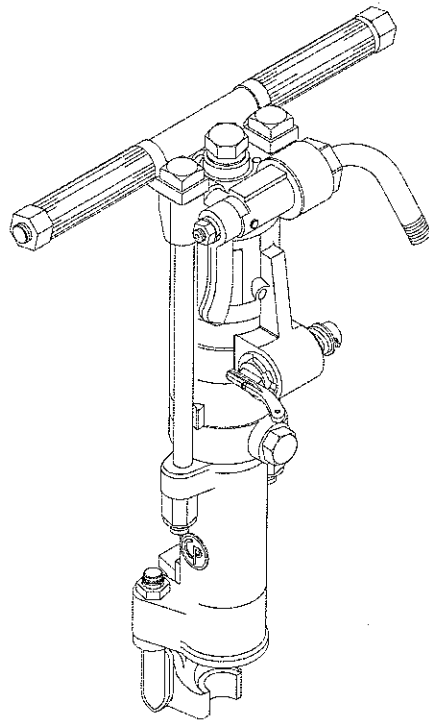




# Spare Parts List

## CP 0069 Rock drill



[www.cp.com](http://www.cp.com)



## GENERAL INFORMATION

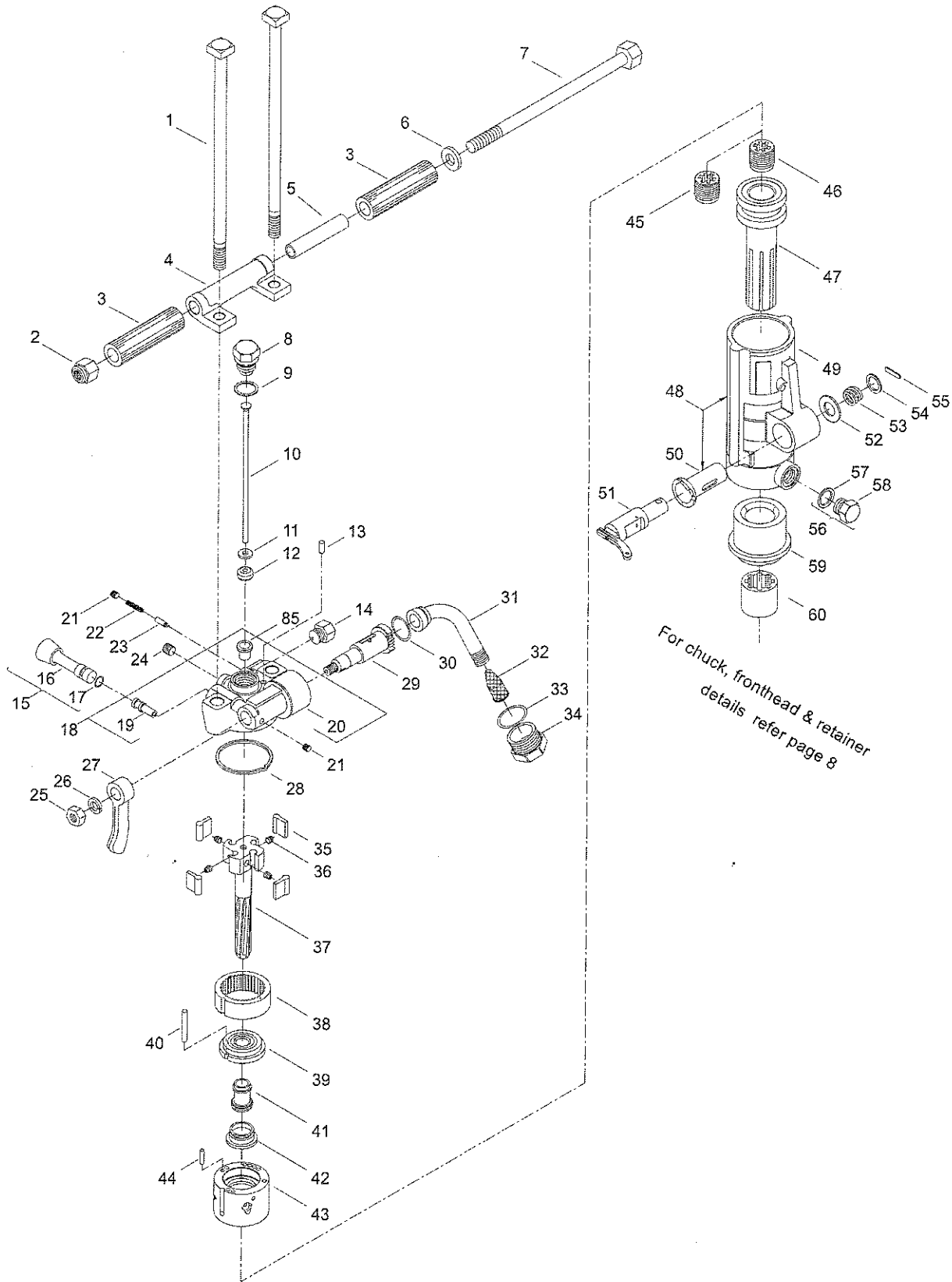
Welcome! Protect your investment in the world's finest air tools. Use genuine CP replacement parts.

The purchase of replacement parts for your CP tools deserves the same good judgment that resulted in the buying of the tools themselves. Each genuine CP part is made from carefully selected and inspected material, subjected to sophisticated machinery and finishing processes and heat-treated to produce just the right combination of hardness, ductility and impact resistance for its intended use. All parts are manufactured concurrently with those used in production tools, and are identical to them. The use of parts other than genuine CP replacement parts can lead to substandard performance, early failure, possible damage of other parts and, in some instances, unsafe conditions.

To reduce the risk of injury, read and understand the Operating Instructions manual and the percussion tool safety instructions before operating the tool.

CP 0069 is a pneumatic sinker drill with a capability of drilling holes up to 2.5" (62.5mm) and 20ft. (6m) deep. This tool is a hard hitting tool that combine high drilling speed with excellent hole cleaning ability. It is highly effective in general excavation work and quarry drilling.

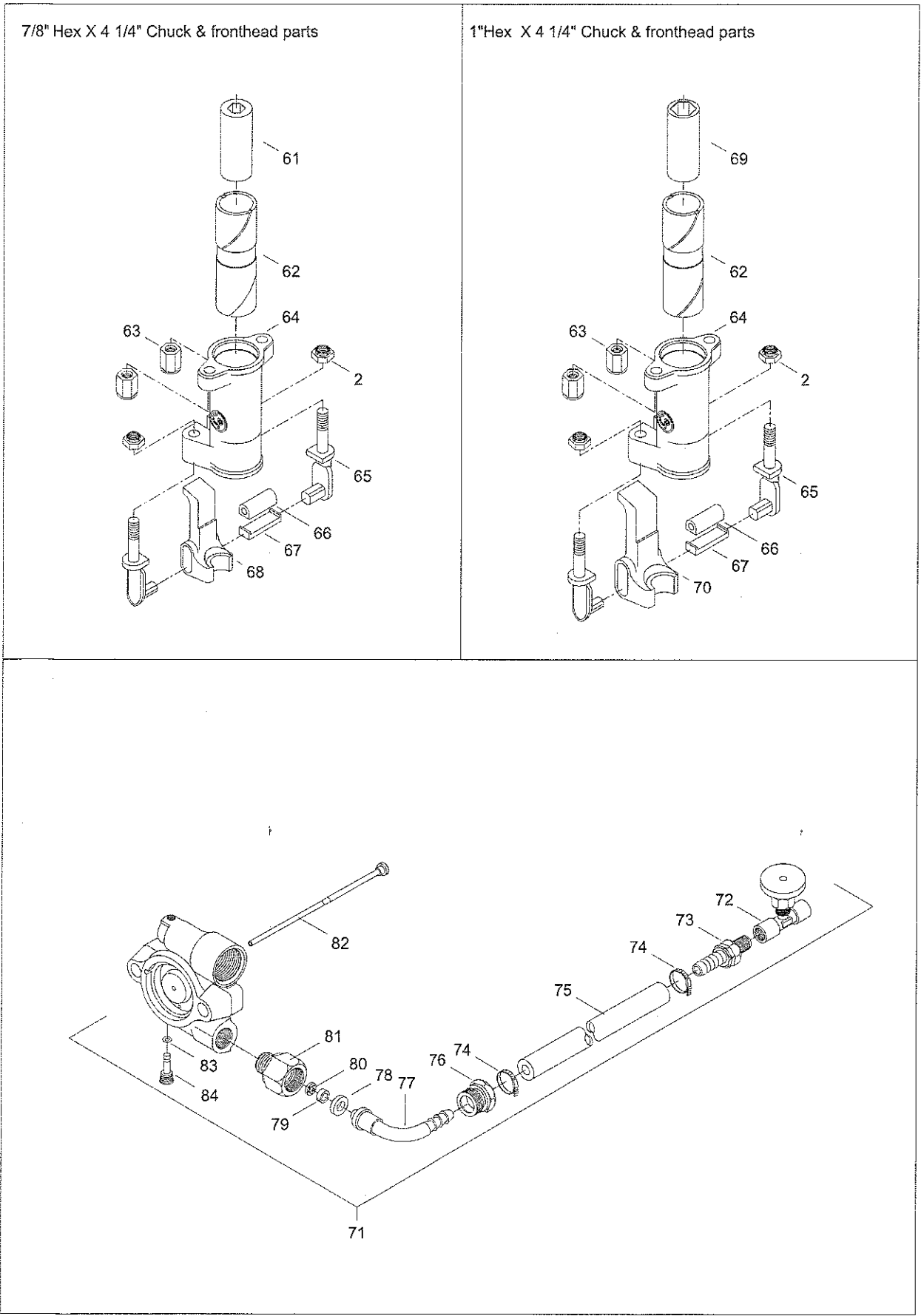
# EXPLODED VIEW OF CP 0069



CROWDER SUPPLY CO, INC.- 8495 ROSLYN ST.- COMMERCE CITY, CO 80022 - TOLL FREE 888-883-5144 - www.crowdersupply.com

Ref. No.	Ordering No.	Qty.	Description
1	R085755	2	Rod - Side
2	R005742	3	Nut - Elastic stop
3	R075419	2	Grip - Handle
4	R086608	1	Bracket - Handle
5	R076172	2	Liner - Handle
6	R000142	1	Washer - Handle bolt key
7	R076173	1	Bolt - Handle
8	R076793	1	Plug - Air tube
9	R000537	1	Gasket
10	R093907	1	Tube - Air
11	R095169	1	Washer - Air tube
12	R090364	1	Rubber - Air tube
13	R075802	1	Pin - Valve plunger
14	R076372	1	Plug - Water connection
15	R079130	1	Plug - Water port (Includes item No.16 & 17)
16		1	Plug - Water port
17	C079489	1	O-ring
18	R137744	1	Backhead (Includes item No.19, 20 & 85)
19	R098054	1	Bushing - Water port
20		1	Backhead
21	C068064	2	Plug - Pipe (1/8")
22	R085671	1	Spring - Throttle valve
23	R086627	1	Plunger - Throttle valve
24	C068799	1	Plug - Pipe (1/4")
25	P002149	1	Nut - Valve handle
26	C036717	1	Lockwasher
27	R079124	1	Handle - Throttle valve
28	H0980438	1	Gasket
29	R086628	1	Valve - Throttle
30	P103521	1	O-ring
31	R075265	1	Swivel - Gooseneck
32	R005584	1	Screen - Air inlet
33	R110317	1	O-ring
34	R000530	1	Nut - Swivel
35	R075267	4	Pawl
36	R086654	4	Spring - Pawl
37	R093887	1	Bar - Rifle (1:30)
38	R137740	1	Ring - Ratchet
39	R093490	1	Cover - Valve case
40	R137741	1	Pin - Dowel
41	R085608	1	Spacer - Valve case
42	R093900	1	Valve
43	R085607	1	Case - Valve
44	R114133	1	Pin - Oiler
45	R075826	1	Nut - Rifle bar (1:30) bronze
46	R075839	1	Nut - Rifle bar (1:30) steel
47	R000126	1	Piston
48	R137742	1	Cylinder (Includes item No.48 & 49)
49		1	Cylinder
50	R085624	1	Bushing - Blower valve
51	R085623	1	Valve - Blower
52	R075777	1	Washer - Blower valve
53	R075778	1	Spring - Blower valve
54	R075780	1	Washer - Valve spring
55	R076266	1	Pin - Blower valve
56	R085611	1	Plug - Oil (Includes item No. 56 & 57)
57	R091176	1	Gasket - Oil plug
58		1	Plug - Oil
59	R137743	1	Bushing - Cylinder
60	R086733	1	Nut - Rotation
85	R137739	1	Bushing - Blow tube

# EXPLODED VIEW OF CP 0069



Ref. No.	Ordering No.	Qty.	Description
<b>7/8" Hex X 4 1/4" Chuck &amp; fronthead parts</b>			
61	R093891	1	Chuck (7/8" Hex. x 4 1/4")
62	R041324	1	Sleeve - Chuck (7/8" x 4 1/4" & 1" x 4 1/4")
63	R085756	2	Nut - Thru bolt
64	R041323	1	Fronthead (7/8" x 4 1/4" & 1" x 4 1/4")
65	R093896	2	Trunnion - Retainer
66	R093897	1	Buffer - Retainer
67	R093898	1	Retainer - Latch shoe
68	R093913	1	Retainer (7/8" Hex.)
<b>1" Hex X 4 1/4" Chuck &amp; fronthead parts</b>			
69	R093890	1	Chuck (1" Hex. x 4 1/4")
62	R041324	1	Sleeve - Chuck (7/8" x 4 1/4" & 1" x 4 1/4")
63	R085756	2	Nut - Thru bolt
64	R041323	1	Fronthead (7/8" x 4 1/4" & 1" x 4 1/4")
65	R093896	2	Trunnion - Retainer
66	R093897	1	Buffer - Retainer
67	R093898	1	Retainer - Latch shoe
70	R093895	1	Retainer (1" Hex.)
<b>Kit for conversion to wet model</b>			
71	Z6544438	1	Kit - Wet & water connection (Includes item No. 72, 73, 74, 75, 76, 77, 78, 79, 80, 81, 82, 83 & 84)
72		1	Valve - Water
73		1	Nipple - Hose
74		2	Clamp - Punch lock
75		1	Hose (1/2" X 12" Long)
76		1	Nut - Water inlet swivel
77		1	Swivel - Water inlet
78		1	Gasket - Swivel
79		1	Retainer - Water strainer
80		1	Strainer - Water
81		1	Spud - Water inlet
82	R093888	1	Tube - Water
83	C087316	1	O-ring
84	R085627	1	Plug - Blower port