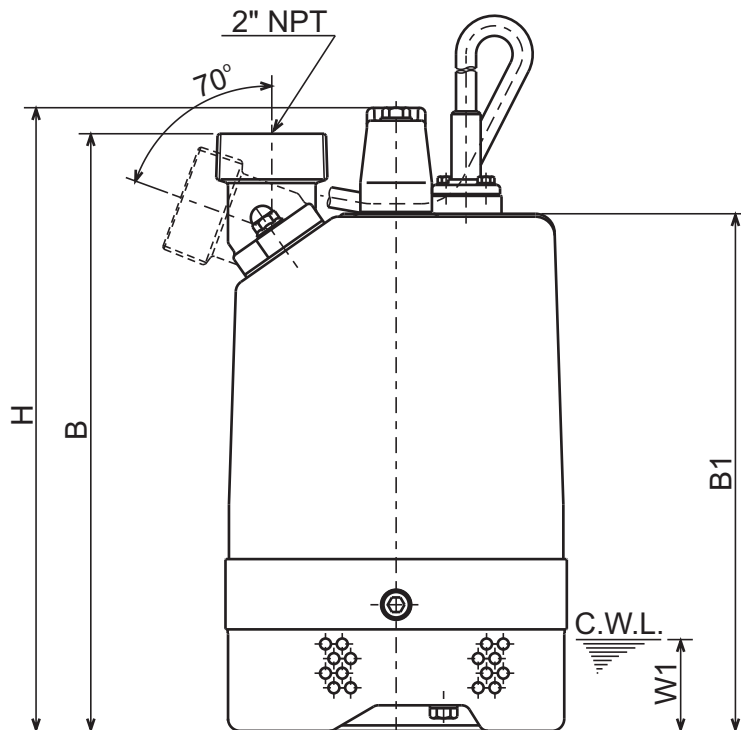
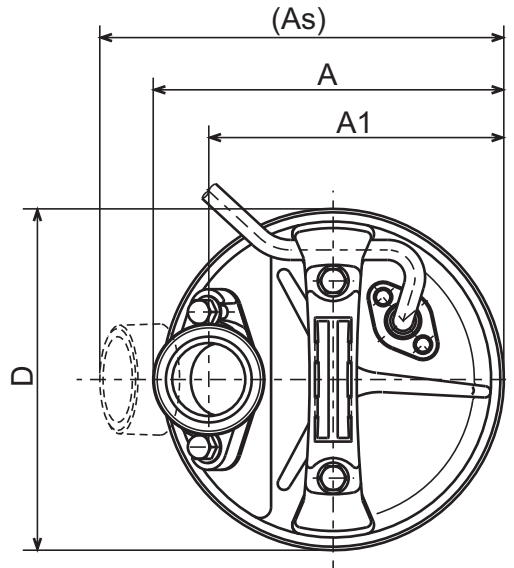




LB - SERIES
SEMI-VORTEX - DEWATERING PUMP

DIMENSIONS

LB-800-61
LBT-800-61



C.W.L. : Continuous running Water Level

DIMENSIONS:USCS (Inch)

Model	HP	NOM. SIZE	Pump & Motor							C.W.L.	Wt. (lbs.)
			A	As	A1	B	B1	D	H	W1	
LB-800-61	1	2"	7 9/16	8 11/16	6 3/8	12 7/8	11 1/8	7 3/8	13 7/16	2	29
LBT-800-61	1	2"	7 9/16	8 11/16	6 3/8	12 7/8	11 1/8	8 3/4	13 7/16	6 3/4	28

DIMENSIONS:METRIC (mm)

Model	kW	NOM. SIZE	Pump & Motor							C.W.L.	Wt. (kg)
			A	As	A1	B	B1	D	H	W1	
LB-800-61	0.75	50	192	221	162	327	283	187	341	50	13.2
LBT-800-61	0.75	50	192	221	162	327	283	223	341	170	12.8



LB - SERIES SEMI-VORTEX - DEWATERING PUMP

PERFORMANCE CURVE

MODEL	BORE	HP	KW	RPM	SOLIDS DIA	LIQUID	SG.	VISCOSITY	TEMP.
LB(Z)-800(A)-61	2"/50mm	1	0.75	3300	0.236"/6mm	Water	1.0	1.123 cSt.	60°F
PUMP TYPE		PHASE	VOLTAGE		AMPERAGE	HZ	STARTING METHOD		INS. CLASS
Semi-Vortex - Dewatering Pump		Single	115-120 / 230		9.6-9.2 / 5.1	60	Capacitor Start		E
CURVE No.	DATE	PHASE	VOLTAGE	AMPERAGE	HZ	STARTING METHOD	INS. CLASS		
-	-	-	-	-	-	-	-		

