



MODEL **LB-800-61**

PARTS LIST	PORTABLE DEWATERING PUMP	DATE: DEC 2009
------------	--------------------------	----------------

ITEM	PARTS No.	DESCRIPTION	Q'TY	SIZE	MATERIAL		NOTES
1	140-427-17	Hex.Bolt (w/Plain Washer)	2	M5x15	SUS304		
2	003-190-10	Gland	1		SUS316		
3	001-471-25	Cab-tyre Cable	1	AWG14 x50 ft.	VCT		Gland Included
4	140-000-13	Hex.Bolt (w/Plain Washer)	2	M8x65	SUS304		
5	068-000-06	Handle	1	LB-250/480-52/62	Resin		
6	141-030-12	Hex.Nut (w/Flange)	2	M8	SUS304		141-144-10 (Old)
7	032-426-18	Hose Coupling	1	2"	ADC		
8	121-587-17	Packing (Hose Coupling)	1	LB-250/480-51/61	NBR	*	
9	065-000-22	Outer Cover	1		SPC		
10	122-453-16	O-Ring	1	172xd2.7	NBR	*	
11	121-434-18	Packing	1	LB3-250/480	Synthetic Rubber	*	
12	051-000-22	Motor Head Cover	1		ADC		
13	140-396-16	Hex.Bolt (w/Spring Washer/Plain Washer)	3	M6x20	SUS304		
14	121-000-72	Packing	1	d121xd140x2.8t	NBR	*	
15	076-000-31	Capacitor	1	80MF-250VAC(d50x85L)			
16	143-086-22	Pan Screw (w/Spring Washer)	1	M4x8	SWRM		
17	127-000-34	Capacitor Fixing Plate	1	d50	SPC		
18	143-127-13	Pan Screw (w/Spring Washer/Plain Washer)	2	M4x8	SWRM		
19	053-000-63	Motor Protector 110V-60Hz	1	KA142-BBTL21F	(T.C)		
19	053-000-28	Motor Protector 220V-60Hz	1	KA142-LPTL25F	(T.C)		
20	140-000-44	Hex.Bolt (w/Spring Washer/Plain Washer)	1	M4x8	SWRM		
20-1	009-000-72	Grounding Wire	1	AWG 16 x 150L UL1015 G/Y			
21	050-000-48	Motor Bracket	1		SECD		
22	142-192-16	Wave Washer	1	#6201(D=32,t=0.4)	SK5		
23	052-100-15	Bearing	1	6201ZZC3			
24	055-001-26	Rotor	1Set	w/Bearing			
25	052-152-12	Bearing	1	6302ZZC3			
26	061-175-19	Bearing Collar	1	d15xd23x1.6t	SPC		
27	056-004-14	Stator 110v (60Hz)	1	w/Frame			
27	056-004-16	Stator 220v (60Hz)	1	w/Frame			
28	122-133-17	O-Ring	1	G-110(109.4xd3.1)	NBR	*	
29	025-291-10	Mechanical Seal	1	W-14VL	Sic+CCBN		
30	030-000-09	Oil Lifter	1	W-14VL	Resin		
31	029-000-72	Oil Casing	1	LB-750-51/61	ADC		
32	035-124-12	Oil Plug	1	M10x15	SUS304		
33	121-246-11	Packing	1	d10.3xd16x2t	PE	*	
34	140-252-19	Hex. Socket Cap Bolt	3	M6x20	SUS304		
35	122-441-11	V-Ring	1	VR-14	NBR		
36	071-292-14	Shaft Sleeve	1	LB3-250/480	SUS304		
37	031-000-12	Wear Ring	1	LSC1.4S-51/61	SPC+Urethane Rubber		
38	021-007-56	Impeller (60Hz)	1	LB-800-61	Urethane Rubber		
39	142-127-10	Plain Washer	1	M8	SUS304		
40	142-163-18	Spring Washer	1	M8	SUS304		
41	141-030-12	Hex.Cap Nut	1	M8	SUS304		
42	020-000-43	Pump Casing	1	LB-750	BR+NR		
43	022-001-27	Suction Cover	1	LB-750	SPC		
44	023-547-18	Strainer Stand	1	LB-250/480-51/61	SPC		
45	140-000-14	Hex.Bolt (w/Plain Washer)	3	M8x20	SUS304		
<b>&lt;Packing O-Ring Set&gt;</b>							
	173-001-20	Packing O-Ring Set	1Set	(Marked by *)			
8	121-587-17	Packing (Hose Coupling)	1	LB-250/480-51/61	NBR	*	
10	122-453-16	O-Ring	1	172xd2.7	NBR	*	
11	121-434-18	Packing	1	LB3-250/480	Synthetic Rubber	*	
14	121-000-72	Packing	1	d121xd140x2.8t	NBR	*	
28	122-133-17	O-Ring	1	G-110(109.4xd3.1)	NBR	*	
33	121-246-11	Packing	1	d10.3xd16x2t	PE	*	

**OPTIONAL:**

3	001-471-12	Cabtyre Cable w/ Gland	1	AWG 14 x 32 Ft	VCT		
3	001-999-90	Cable w/Gland 100' LB3-750	1		VCT		Includes Gland
38	021-007-52	Impeller (50Hz)	1	LB-800-51	Urethane Rubber		
		Lubricant		Turbine Oil VG32 155ml			

**NOTE:**

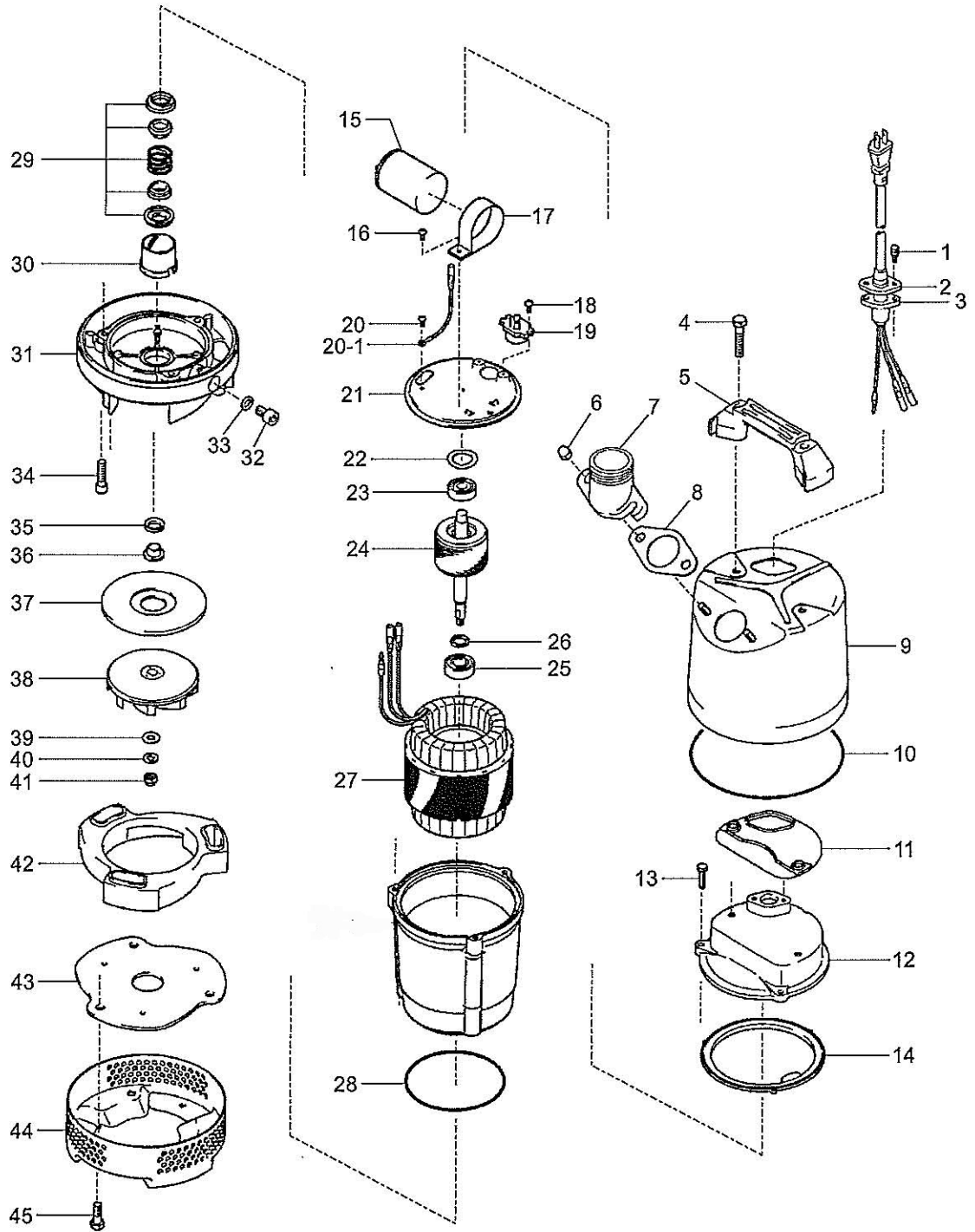
Pricing in U.S. currency and subject to change without notice.

Items with (\*) indicate items are included in the set

Parts List

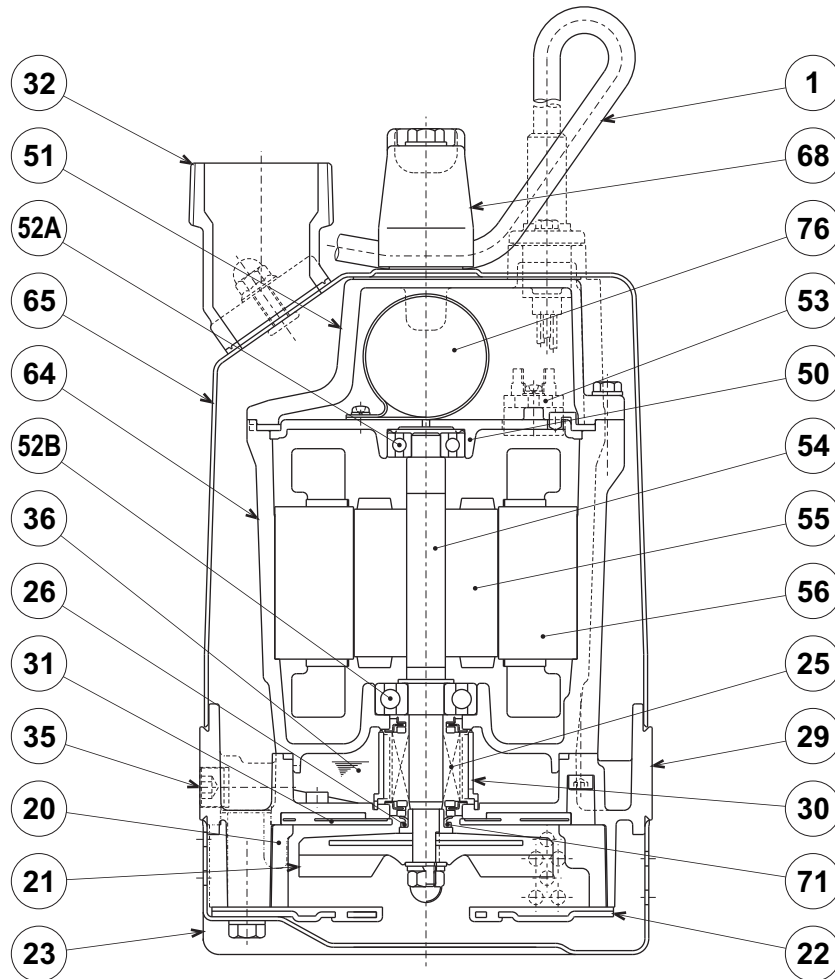
Portable Dewatering Pump

Date: DEC 2009



**TSURUMI PUMP**

**LB - SERIES**  
**SEMI-VORTEX - DEWATERING PUMP**

**SECTIONAL VIEW****LB-800-61**

ITEM#	DESCRIPTION	MAIN MATERIAL / NOTE	RELATED ASTM, AISI CODE	RELATED EN CODE	Q'TY
1	Power Cable	PVC Sheath AWG14/3-50ft			1
20	Pump Casing	Butadiene Rubber + Natural Rubber			1
21	Impeller	Urethane Rubber			1
22	Suction Cover	Urethane Rubber + Steel (Cold Rolled)	(A109/A1008)	(EN 10130)	1
23	Suction Strainer	Steel (Cold Rolled)	A109/A1008	EN 10130	1
25	Mechanical Seal	Silicon Carbide / W-14VL			1
26	V-Ring	Nitrile Butadiene Rubber			1
29	Oil Casing	Aluminum Alloy Die Casting	B85 383.0	EN 1706 AC-46100	1
30	Oil Lifter	PBT Resin			1
31	Wearing Plate	Urethane Rubber			1
32	Discharge Connection	Aluminum Alloy Die Casting / NPT 2"	B85 383.0	EN 1706 AC-46100	1
35	Oil Plug	Stainless Steel	S 30400	1.4301	1
36	Lubricant	Turbine Oil ISO VG32 or SAE10W-20			
50	Motor Bracket	Aluminum Alloy Die Casting	B85 383.0	EN 1706 AC-46100	1
51	Motor Head Cover	Aluminum Alloy Die Casting	B85 383.0	EN 1706 AC-46100	1
52A	Upper Bearing	#6201ZZC3			1
52B	Lower Bearing	#6302ZZC3			1
53	Motor Protector				1
54	Shaft	Stainless Steel	S 40300	1.4000	1
55	Rotor				1
56	Stator				1
64	Motor Housing	Aluminum Alloy Die Casting	B85 383.0	EN 1706 AC-46100	1
65	Outer Cover	Steel (Cold Rolled)	A109/A1008	EN 10130	1
68	Handle	ABS Resin			1
71	Shaft Sleeve	Stainless Steel	S 30400	1.4301	1
76	Capacitor				1