

**AVAILABLE FOR  
RENT OR SALE**

**ATS**  
**EQUIPMENT INC.**

[www.atsequipment.com](http://www.atsequipment.com)

# SKYJACK™

## SJ85 AJ

### ARTICULATING BOOMS

**91' WORK HEIGHT, DIESEL**

## UNPARALLELED UP-AND-OVER

Skyjack articulating booms offer precise positioning capabilities packaged in a high capacity boom with industry-leading up-and-over reach. The tight turning radius on these machines and minimal tailswing make them ideal for maneuvering in confined areas.

Skyjack's SJ63/85 AJ features a boom geometry that allows the operator to lower the main fly boom to ground level to restock on material or supplies, then return to full height at the original working position - without lowering the riser section. It can be quickly executed and there is no need for machine repositioning or having to remember the sequence of operations to get back to the original working position - thus, improving productivity.



## STANDARD FEATURES

- EASYDRIVE™ Direction sensing drive and steer controls
- SPEEDYREACH™ Negative boom angle capability
- SKYRISER™ True vertical rise
- AXLDRIIVE™ Axle-based 4WD system
- Operator controlled locking rear differential and limited slip front differential
- Oscillating steer axle
- Drivable at full height
- 45% Gradeability
- Wet disc SAHR brakes (front and rear axle)
- Relay based control system with SKYCODED™ color coded and numbered wiring
- Deutz TD2.9L4 diesel engine
- Swing out engine tray
- Swing up cowlings for easy access
- Lockable power disconnect switch
- Proportional controls
- 500 / 750 lbs (227 / 340 kg) Dual capacity
- 36" x 96" Platform
- Bolt-in platform railing system
- Lanyard attachment points
- Tri-entry sliding mid-rails
- Secondary Guarding Electrical (SGE)
- Overload sensing system
- 110V AC Outlet on platform with GFI
- Tilt alarm (5.0° x 5.0°) with drive and lift cut-out
- Single point emergency lowering
- Hourmeter
- Operator horn
- All motion alarm
- 360° Continuous turret rotation
- Tie down/lifting lugs
- 18 x 625 Grip lug foam-filled tires
- Telematics ready
- 2-Year Gold Leaf Warranty (5-year structural warranty)

**ATS EQUIPMENT INC. Construction Equipment & Supplies Rentals • Sales • Service**

**BOSTON, MA**  
**(617) 825-3600**

**AUBURN, MA**  
**(508) 832-8500**

**REHOBOTH, MA**  
**(508) 379-6200**

**CANDIA, NH**  
**(603) 483-2100**

# SKYJACK™ SJ85 AJ

**91' WORK HEIGHT, ARTICULATING BOOMS, DIESEL**

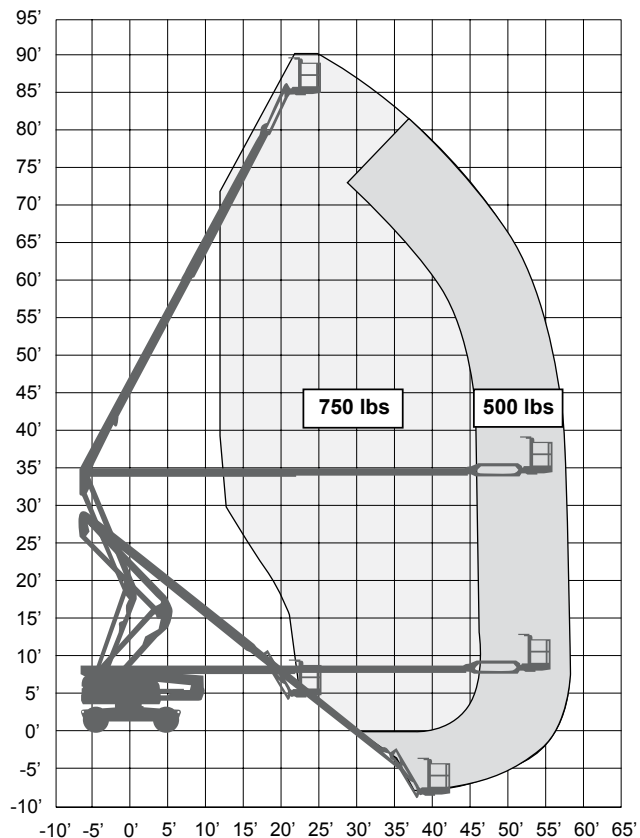
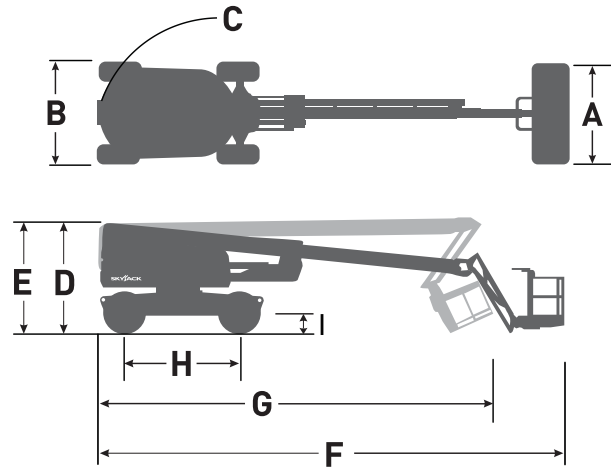
**AVAILABLE FOR  
RENT OR SALE**

**ATS  
EQUIPMENT INC.**

[www.atsequipment.com](http://www.atsequipment.com)

Dimensions	SJ85 AJ
Work Height	91'
Platform Height	85'
Horizontal Reach	56'
Up and Over Height	34'
<b>A</b> Platform Size	36" x 96"
<b>B</b> Stowed Width	8' 2"
<b>C</b> Tailswing	2' 10"
<b>D</b> Stowed Height	8' 9"
<b>E</b> Transportation Height	8' 9"
<b>F</b> Stowed Length	38' 2"
<b>G</b> Transportation Length	32' 11"
<b>H</b> Wheelbase	9' 4"
<b>I</b> Ground Clearance	13.25"

Specifications	SJ85 AJ
Rotation	360° Continuous
Platform Rotation	170°
Jib Length	5' 6"
Jib Range +/-	+65° / -60°
Weight	36,300 lbs
Gradeability	45%
Turning Radius (Inside)	10'
Turning Radius (Outside)	20' 5"
Axle Oscillation	4"
Drive Speed (High speed)	3 mph
Capacity	500 / 750 lbs
Maximum Wind Rating	28 mph
Personnel Rating at Max Wind Rating	2 / 3
Tire Type	Foam-Filled
Tire Size	18-625
Diesel Engine	Deutz TD2.9L - 74 HP
Duel Fuel Engine	Kubota WG3800 - 87 HP
Fuel Tank Capacity	30.4 gal.
Hydraulic Reservoir	45 gal.



**SJ85 AJ WORKING ENVELOPE**

**ATS EQUIPMENT INC. Construction Equipment & Supplies Rentals • Sales • Service**

**BOSTON, MA  
(617) 825-3600**

**AUBURN, MA  
(508) 832-8500**

**REHOBOTH, MA  
(508) 379-6200**

**CANDIA, NH  
(603) 483-2100**