

AVAILABLE FOR RENT AT

ATS
EQUIPMENT INC.

www.atsequipment.com

 **MITSUBISHI**
FORKLIFT TRUCKS



FG30N

GASOLINE / LP GAS PNEUMATIC TIRE FORKLIFTS

ATS EQUIPMENT INC. Construction Equipment & Supplies Rentals • Sales • Service

BOSTON, MA
(617) 825-3600

AUBURN, MA
(508) 832-8500

REHOBOTH, MA
(508) 379-6200

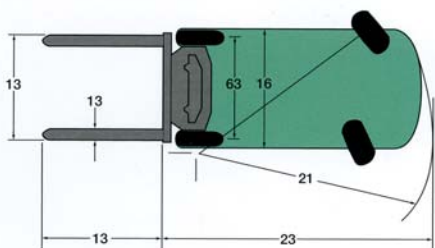
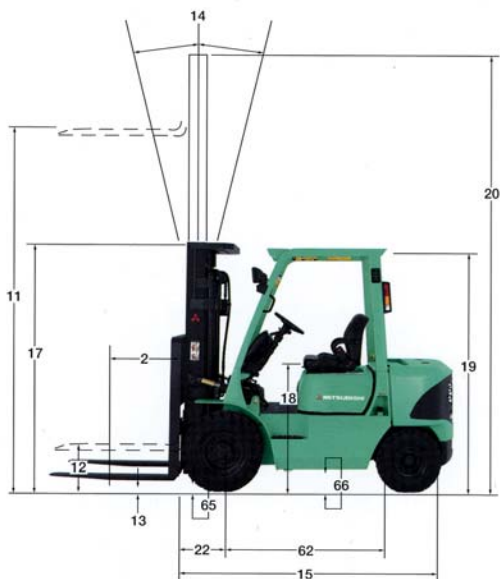
CANDIA, NH
(603) 483-2100

MITSUBISHI FG30N

ATS EQUIPMENT INC.
www.atsequipment.com

GASOLINE / LP GAS PNEUMATIC TIRE FORKLIFTS

Specifications



CHARACTERISTICS				
1	Capacity	at rated load center	6000 lb	
2		at load center - distance	24 in	
3	Power		gasoline/LP gas	
4	Tire type		pneumatic	
5	Wheels (x = driver)	number front / rear	2x/2	
DIMENSIONS				
10	Lift	maximum fork height with rated load	186 in (15'6")	
13	Forks	thickness x width x length	1.8 x 5 x 48 in	
		Fork spacing	out-to-out minimum / maximum	11.2/39.4 in
14	Tilt	forward / backward	6/10	
15	Overall Dimensions	length to fork face	107.3 in	
16		width	with standard tires	50.2 in
17			with lowered mas	85.5 in
18		height	seat height	42.3 in
19			to top of overhead guard	83.2 in
20			with extended mast	178.0 in
21	Minimum outside turning radius		96.3 in	
22	Load moment constant		19.3 in	
23	Minimum aisle - 90° stack - zero clearance w/out load		115.6 in	
PERFORMANCE				
40	Speeds	travel loaded / empty	10.5/11.8 mph	
41		lift speed loaded / empty	92/102 fpm	
42		lowering speed loaded / empty	98/98 fpm	
43	Drawbar pull	loaded at 1 mph (1.6 km)	3060 lb	
		loaded maximum	3650 lb	
44	Gradeability	loaded at 1 mph (1.6)	19.5%	
		maximum loaded / empty	24.0/22.0%	
WEIGHT				
50	Empty		9400 lb	
51	Axle Load	with rated load front / rear (est)	13,400/2000 lb	
		without load front / rear (est)	3800/5600 lb	
CHASSIS				
60	Tire size	front, standard	28 x 9-15-14PR in	
		front, standard wide-stance	41.7 in	
61		rear	6.50 x 10-10PR in	
62	Wheelbase		68.9 in	
63	Tread width	front, standard	41.7 in	
64		rear tires	38.4 in	
65	Ground clearance	at lowest point @ mast	4.9 in	
66		at center of wheelbase	7.1 in	
67	Brakes	service	foot/hydraulic	
68		parking	hand/mechanical	
POWER TRAIN				
80	Engine	manufacturer and model	Mitsubishi 4G64	
81		continuous output S.A.E. gross	57.0 HP 2400 at r.p.m.	
82		maximum torque S.A.E. gross	130.0 lb-ft 1600 at r.p.m.	
83		cylinder / displacement	122.0 cu in	
84	Transmission	type	powershift	
85		number of speeds forward / reverse	1 / 1	
86	Relief pressure	for attachments at main	2630 psi	
87	Noise level	mean value at operator's ear Leq	75 dB(A)	