

KOMATSU

AVAILABLE FOR RENT AT



www.atsequipment.com



Photos may include optional equipment.

PC78US-6

COMPACT HYDRAULIC EXCAVATOR

FLYWHEEL HORSEPOWER
54 HP @ 1850 rpm

OPERATING WEIGHT
15,850 lb

BUCKET CAPACITY
0.37 yd³

ATS EQUIPMENT INC. Construction Equipment & Supplies Rentals • Sales • Service

BOSTON, MA
(617) 825-3600

AUBURN, MA
(508) 832-8500

REHOBOTH, MA
(508) 379-6200

CANDIA, NH
(603) 483-2100

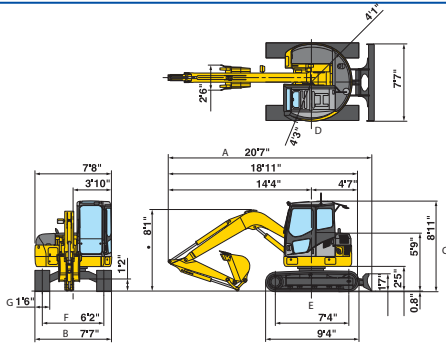
KOMATSU PC78US-6

ATS EQUIPMENT INC.
www.atsequipment.com

COMPACT HYDRAULIC EXCAVATOR



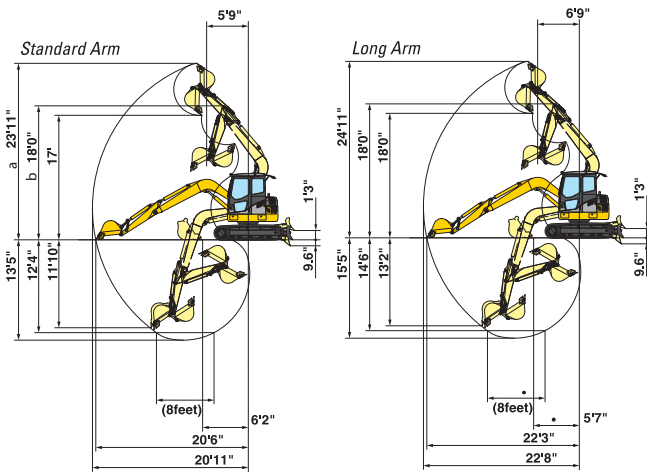
DIMENSIONS



DIMENSIONS FT.IN.	
A Overall length	20'7"
B Overall width	7'7"
C Overall height	8'11"
D Tail swing radius	4'3"
E Crawler length	7'4"
F Track gauge	6'2"
G Track shoe width	1'6"



WORKING RANGE



STANDARD ARM WORKING RANGE FT.IN.	
a Max. digging height	23'11"
b Max. dumping height	18'0"
c Max. digging depth	13'5"
d Max. vertical digging depth	12'4"
e Max. digging reach	20'11"
f Max. digging reach-ground level	20'6"
g Min. swing radius	5'9"
h Max. blade lift	1'3"
i Max. blade depth	9'6"

LONG ARM WORKING RANGE FT.IN.	
a Max. digging height	13'5"
b Max. dumping height	24'11"
c Max. digging depth	15'5"
d Max. vertical digging depth	14'6"
e Max. digging reach	22'8"
f Max. digging reach-ground level	22'3"
g Min. swing radius	6'9"
h Max. blade lift	1'3"
i Max. blade depth	9'6"



LIFTING CAPACITIES

PC78US-6	Arm : 5'5"		Bucket width : 25.0"		Shoe width : 17.7"		Blade on ground 14"		Unit : kg lb	
	Cf	Cs	Cf	Cs	Cf	Cs	Cf	Cs	Maximum	Maximum
18'			*4500	*4500					*4500	*4500
16'			*4300	*4300					*4200	*3700
13'			*4500	*4500					*4000	2600
9'			*5400	5100	*4100	2500			*3900	2100
6'			*6500	4800	*4400	2400			*3900	1900
3'			*7300	4500	*4600	2400			*3900	1800
0'			*7300	4300	*4600	2300			*3900	1900
-3'	*7500	*7500	*6700	4300	*4200	2300			*3900	2100
-6'	*8000	*8000	*5400	4400					*3700	2700
-9'									*2900	*2900

*Load is limited by hydraulic capacity rather than tipping. Rated loads do not exceed 87% of hydraulic lift capacity or 75% of tipping load.

PC78US-6	Arm : 7'5"		Bucket width : 25.0"		Shoe width : 17.7"		Long arm with blade on ground 14"		Unit : kg lb	
	Cf	Cs	Cf	Cs	Cf	Cs	Cf	Cs	Maximum	Maximum
19'			*3800	*3800					*3800	*3800
16'									*3400	2700
13'			*3600	*3600	*3400	2600			*3200	2100
9'			*4500	*4500	*3600	2600			*3200	1700
6'			*5700	4900	*4000	2500			*3300	1600
3'			*6800	4600	*4400	2400			*3400	1500
0'			*7200	4300	*4500	2300			*3400	1500
-3'	*6400	*6400	*7000	4200	*4400	2200			*3500	1700
-6'	*9900	*9900	*6200	4200	*3800	2200			*3500	2100
-9'	*7400	*7400	*4400	4100					*3200	3000

*Load is limited by hydraulic capacity rather than tipping. Rated loads do not exceed 87% of hydraulic lift capacity or 75% of tipping load.

Operating weight		15,850 lb.
ROPS Canopy, Rubber Shoe		
Flywheel horse power	54 HP @ 1850 rpm	
Performance		
Travel speed	Hi	2.8 mph
MPH	Lo	1.9 mph
Swing speed (rpm)		10.0 rpm
Ground pressure		4.4 psi
Bucket digging force (ISO)		13,780 lb.
Arm crowd force (ISO) w/arm length 5'5"		9,330 lb.
Engine		
Model	Komatsu S4D95LE-3	
Type	Water-cooled, 4-cycle, direct injection	
Piston displacement	199 in ³	
Electric system		
Operation voltage	24 V	
Battery	55 Ah	
Alternator	24 A	
Starter	3.0 kW	
Drive system		
Drive method	Hydrostatic	
Type of travel brake	Hydraulic lock type	
Type of travel shoe	Rubber	
Undercarriage		
Adjustment of the track tension	Grease	
Number of carrier rollers (each side)	1	
Number of track rollers (each side)	5	
Hydraulic system HYDRAUMIND		
Type of hydraulic pump	Variable capacity x 1 gear x 1	
Max. oil flow US gal/min	20.0 + 5.7	
Hydraulic motor	Variable displacement, axial piston motors	
Valve rating:	3,839 psi	
Relief valve setting for implement		
Auxiliary hydraulic flow	32.5 U.S. gal/min	
Refilling capacity (US gal)		
Fuel tank	33 US gal	
Hydraulic tank	16.9-29.1 US gal	
Engine Oil	1.8-2.0 US gal	
Coolant	2.8 US gal	

ATS EQUIPMENT INC. Construction Equipment & Supplies Rentals • Sales • Service

BOSTON, MA
(617) 825-3600

AUBURN, MA
(508) 832-8500

CANDIA, NH
(603) 483-2100

E. PROVIDENCE, RI
(401) 434-7700