



COMPACT EXCAVATOR

IHI 9VX ELECTRIC EXCAVATOR

AVAILABLE FOR RENT AT



www.atsequipment.com

The 9VX electric mini excavator comes standard with all the features of the 9VX and also allows excavating in confined areas with fume regulations. Combine a no emission motor with other standard features such as the track expander (27.5" to 37.5") and hydraulic piping to front of the unit and you have the 9VX Electric. Its Digging Force is 2,360 lbs.

FEATURES

- Electric mini Excavator
- Produces no fumes and very little noise
- 360° swing with independent 140° boom swing
- 5 hp Baldor Motor
- Equipped for hydraulic attachments
- Total flow of 6.0 gpm, 2,300 psi
- 5' 2" digging depth
- Operating weight of 2,100 lbs
- 2-speed travel
- Extra power cord available
- 480V 3 Phase, 20 amp



Travel skid with fork pockets



ATS EQUIPMENT INC. Construction Equipment & Supplies Rentals • Sales • Service

BOSTON, MA
(617) 825-3600

AUBURN, MA
(508) 832-8500

REHOBOTH, MA
(508) 379-6200

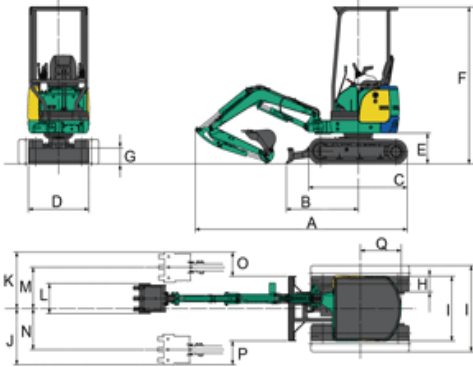
CANDIA, NH
(603) 483-2100

IHI 9VX Electric Excavator

ATS EQUIPMENT INC.
www.atsequipment.com

Compact Excavator

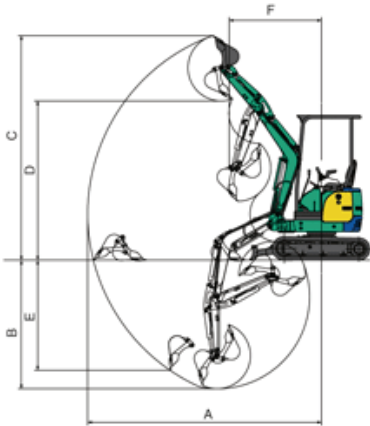
DIMENSIONS



A	8' 10"
B	2' 11"
C	3' 11"
D	2' 3.5"
E	1' 4"
F	6' 10"
G	9.5"
H	7"

I	27.5-37.5"
J	1' 6"
K	1' 7"
L	3"
M	1' 3"
N	11"
O	7"

WORKING RANGE



A	Max Digging Radius	9' 9"
B	Max Digging Depth	5' 2"
C	Max Digging Height	9' 0"
D	Max Dumping Height	6' 6"
E	Max Vertical Digging Depth	3' 10"

BASIC SPECIFICATIONS

Bucket Capacity	.80 cu. Ft.
Operating Weight	2,060 lbs.

ENGINE

Model	Baldor
Horsepower	5 hp

FEATURES

Ground pressure	3.8 psi
-----------------	---------



ATS EQUIPMENT INC. Construction Equipment & Supplies Rentals • Sales • Service

BOSTON, MA
(617) 825-3600

AUBURN, MA
(508) 832-8500

REHOBOTH, MA
(508) 379-6200

CANDIA, NH
(603) 483-2100