



HC 850 HYDRAULIC COMPACTOR

**AVAILABLE FOR
RENT OR SALE**



www.atsequipment.com

Hydraulic compactors are designed for a wide range of applications. The main uses for this range of products include compacting soil, trenches and embankments, as well as driving in and pulling out posts and formwork. Machine-driven soil compactors work quickly and economically and are easy to operate.

Compactors as attachments

Quiet and safe: A compactor attachment creates little noise and offers added safety benefits, particularly when used in trenches, as there is no longer any need for someone to stand directly in the workspace.

Calm and effective: Both the operator and the surrounding environment remain unaffected by the vibrations of the working equipment. There are no restrictions on the period of use per working shift.

Easy positioning: Optional continuous rotation device makes it easier to position the compactor. Even areas of the terrain which are hard to access can be reached more easily. The productivity of the compactor can be enhanced considerably using this rotation device.



Possible applications

- Compacting trenches.
- Compacting soil.
- Compacting embankments.
- Driving in and pulling out formwork, sheet piling and posts.

ATS EQUIPMENT INC. Construction Equipment & Supplies Rentals • Sales • Service

**BOSTON, MA
(617) 825-3600**

**AUBURN, MA
(508) 832-8500**

**REHOBOTH, MA
(508) 379-6200**

**CANDIA, NH
(603) 483-2100**

AVAILABLE FOR RENT OR SALE

Epiroc HC 850

HYDRAULIC COMPACTOR

www.atsequipment.com

INSTANTLY READY FOR USE AND COST-EFFECTIVE

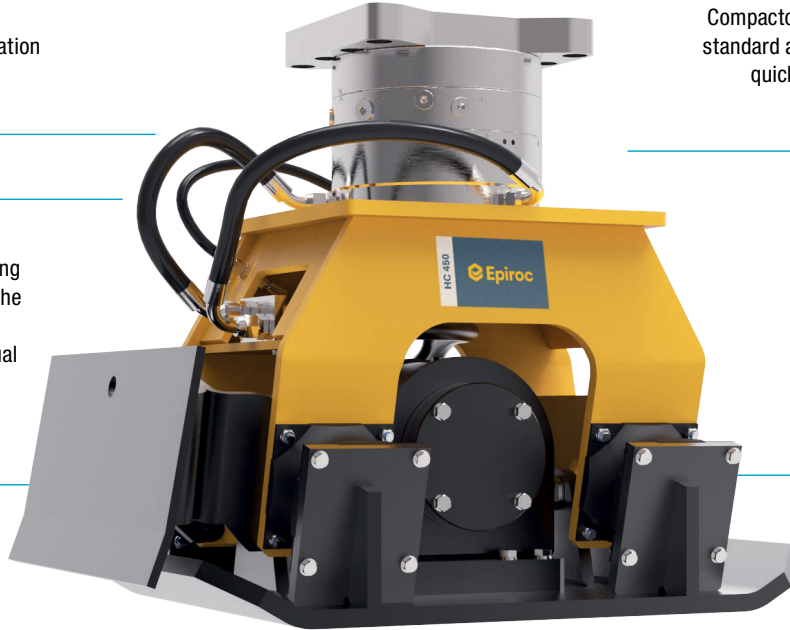
Up and running quickly: no special installation is required on the carrier machine.

VERSATILE

Compactors can be fitted to standard adapter plates and quick-change systems.

VIRTUALLY ZERO-MAINTENANCE

Permanent lubrication of the bearings using PermanentLube as standard means that the compactor is virtually zero-maintenance. No more interruptions to work from manual or insufficient lubrication.



IMPROVED FORCE DISTRIBUTION, REDUCED WEAR

The suspension bracket is offset by 15°. As a result, the force is better distributed across the plate. This means less stress on the compactor during operation and reduced wear.

OVERLOAD PROTECTION

The integrated flow rate and pressure control ensures safety, as hydraulic overloading of the compactor is not possible. This is an added bonus when it comes to safety and saving time, especially when using the compactors with different carrier machines.

HYDRAULIC COMPACTORS

HC 850

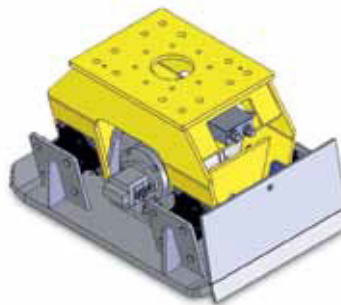
Carrier machine class ¹⁾	lbs	19,842-44,092
Operating weight ²⁾	lbs	1,940
Oil flow	gal/m	30
Operating pressure	psi	2,176
Force	lbs	16,094
Frequency	rmp	2,200
Plate dimensions (L x W)	in	28 x 50
Work area	in ²	1054
Height	in	30
Part number		1826 1017 49

1) Weights only apply to standard carrier machines. Any deviations must be agreed with Epiroc and/or with the manufacturer of the carrier machine prior to fitting.

2) With standard connector piece and socket tool.

ROTATION DEVICE AS ADD-ON KIT

MODEL	ROTATION DEVICE	WEIGHT (lbs)	CONNECTION KIT
HC 850	1826 1016 44	176.36	3376 6980 37



ATS EQUIPMENT INC. Construction Equipment & Supplies Rentals • Sales • Service

BOSTON, MA
(617) 825-3600

AUBURN, MA
(508) 832-8500

REHOBOTH, MA
(508) 379-6200

CANDIA, NH
(603) 483-2100