

AVAILABLE FOR RENT OR SALE



# MV90



[www.atsequipment.com](http://www.atsequipment.com)

## FORWARD SOIL PLATES

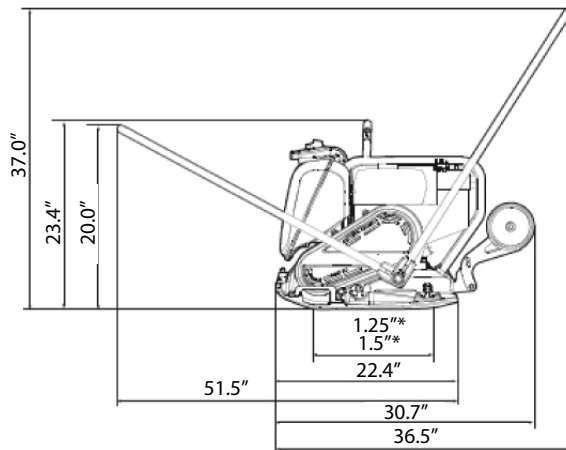
- Design for asphalt with a large capacity water tank and stainless steel sprinkler system
- Double sealed non-contact bearings reduces wear
- High centrifugal force
- Transport wheels makes maneuvering easy

### SPECIFICATIONS

Width x Length	17" x 23"
Manufacture/Model	Honda GX 160, 4-stroke, manual start
Power	5.6 hp
Vibration frequency	5,700 rpm
Amplitude	0.39 in
Centrifugal force	3,282 lbf
Operating speed	89 ft/min
Max tilt	20°
Water tank for asphalt	13.7 qts/h
Fuel type	Gasoline
Operating weight	200.0 lbs

### DIMENSIONS

\*Contact area sq feet



**ATS EQUIPMENT INC. Construction Equipment & Supplies Rentals • Sales • Service**

**BOSTON, MA**  
**(617) 825-3600**

**AUBURN, MA**  
**(508) 832-8500**

**REHOBOTH, MA**  
**(508) 379-6200**

**CANDIA, NH**  
**(603) 483-2100**