

AVAILABLE FOR RENT OR SALE



MV500



www.atsequipment.com

FORWARD & REVERSIBLE PLATES

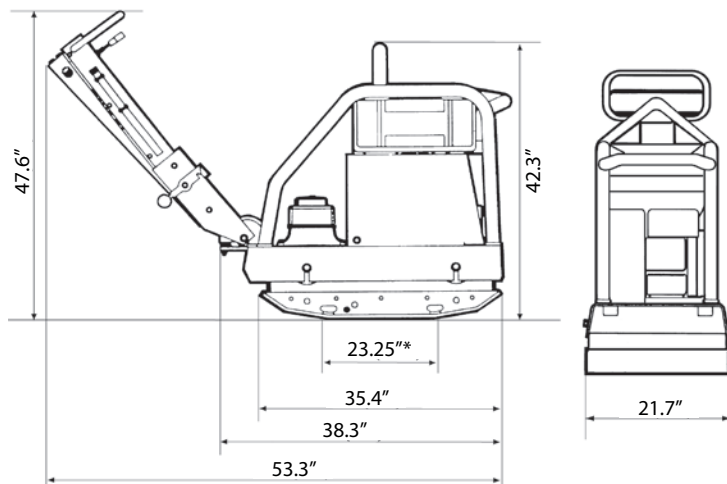
- Smooth finger tip control making it possible to change direction without removing the hands.
- Self cleaning plate - large open space between upper and lower mass allows debris to fall off and makes for easy cleaning.
- Ergonomic handles with large shock absorbers reduces user fatigue
- Dynamical balanced engine design to dampen vibration

SPECIFICATIONS

Width x Length	23" x 35"
Manufacture/Model	Hatz 1 D81Z 4-stroke
Power	8.2 hp
Vibration frequency	3,000 rpm
Amplitude	.083 in
Centrifugal force	13,489 lbf
Operating speed	78.4 ft/min
Maximum tilt	20°
Fuel type	diesel
Operating weight	1080.0 lbs

DIMENSIONS

*Contact area sq feet



ATS EQUIPMENT INC. Construction Equipment & Supplies Rentals • Sales • Service

BOSTON, MA
(617) 825-3600

AUBURN, MA
(508) 832-8500

REHOBOTH, MA
(508) 379-6200

CANDIA, NH
(603) 483-2100