

AVAILABLE FOR RENT OR SALE



# MV100



[www.atsequipment.com](http://www.atsequipment.com)

## FORWARD SOIL PLATES

- Designed for asphalt with a large capacity water tank and stainless steel sprinkler system
- Double sealed non-contact bearings reduces wear
- High centrifugal force
- Transport wheels makes maneuvering easy

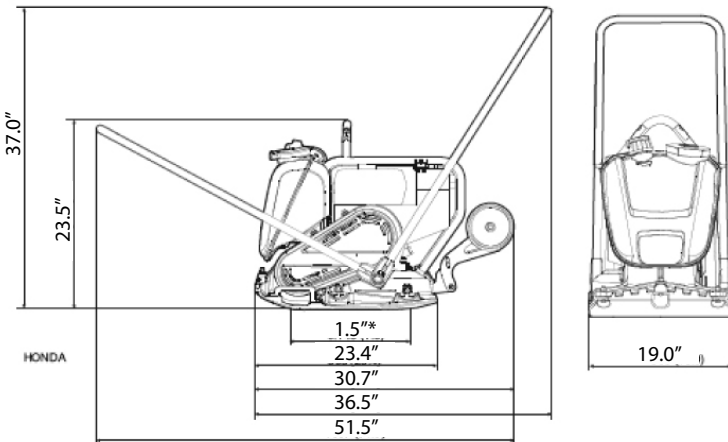
### SPECIFICATIONS

Width x Length	20" x 23"
Manufacture/Model	Honda GX 160, 4-stroke
Power	5.6 hp
Vibration frequency	5,700 rpm
Amplitude	0.03 in
Centrifugal force	3,260 lbf
Operating speed	82 ft/min
Max tilt	30°
Water tank for asphalt	13.7 qts/h
Fuel type	Gasoline
Operating weight	236.6 lbs



### DIMENSIONS

\*Contact area sq feet



**ATS EQUIPMENT INC. Construction Equipment & Supplies Rentals • Sales • Service**

**BOSTON, MA**  
**(617) 825-3600**

**AUBURN, MA**  
**(508) 832-8500**

**REHOBOTH, MA**  
**(508) 379-6200**

**CANDIA, NH**  
**(603) 483-2100**