



SHERPA 100ECO

AVAILABLE FOR RENT OR SALE



www.atsequipment.com

MINI SKID STEER • BATTERY POWERED



AT 31" WIDE, IT'S THE ONLY SKID STEER THAT FITS THROUGH EVERY STANDARD DOOR.



A POWERFUL SKID STEER THAT FITS EVERYWHERE, HAS NO EMISSIONS, REDUCES THE RISK OF INJURY AND SAVES ON LABOR.

FEATURES

- Environmentally friendly
- Less than 31" wide
- Elevator-friendly (under 1,600 lbs)
- Energy costs under \$1 a day
- Over 7 hours of run time
- Designed for demolition & construction
- 6-foot dump height
- Charges on a single standard 110V outlet

ATS EQUIPMENT INC. Construction Equipment & Supplies Rentals • Sales • Service

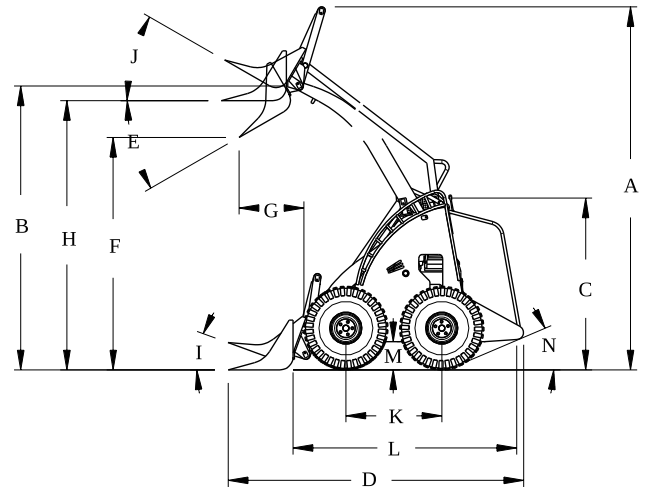
BOSTON, MA (617) 825-3600	AUBURN, MA (508) 832-8500	REHOBOTH, MA (508) 379-6200	CANDIA, NH (603) 483-2100
-------------------------------------	-------------------------------------	---------------------------------------	-------------------------------------

MINI SKID STEER • BATTER POWERED

www.atsequipment.com

SPECIFICATIONS

- A** Maximum height with bucket up 100in
- B** Height hinge point coupling plate 81in
- C** Maximum height with bucket low 47in
- D** Length + bucket 85in
- E** Bucket angle when dumping 51°
- F** Height underside of the bucket when dumping 58in
- G** Length from front wheel to bucket when dumping 8in
- H** Height bucket horizontally 73in
- I** Bucket angle when scooping low 26°
- J** Bucket angle when scooping high 53°
- K** Wheelbase 26in
- L** Length to coupling plate 60in
- M** Ground clearance 5in
- N** Rear angle 14°
- O** Turning radius 64in
- P** Turning radius with bucket 85in
- Q** Width 30in



Engine

Type: DC Motor (brushless)
Capacity (kW/HP): 1,5/2
Revolutions per minute (rpm): 1800

Drive System

Hydraulic through 2 hydraulic wheel motors

Speed

0 to 2 MPH

Weight

1591 lbs

Steering

Skid steering

Capacity Data

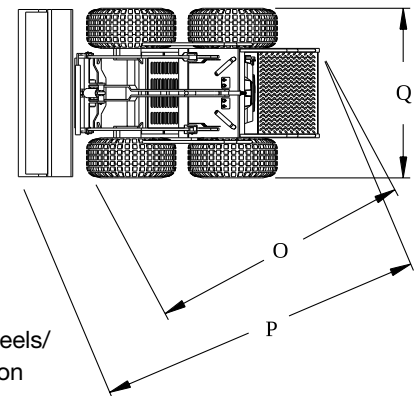
Breakout force (lbs): 1851
Tractive force (lbs): 1230
System pressure (psi): 2200
Hydraulic tank capacity (gal): 10
Hydraulic flow (gpm): 3.8
Operating capacity (lbs): 550

Brakes

Service brake: Hydrostatic on 2 rear wheels/
2 front wheels through chain transmission

Lead Acid Battery (Approx. 7 hours)
24 V / 360 Ah

Lithium Battery (Approx. 9 hours)
24 V / 315 Ah



ATTACHMENTS



REGULAR BUCKET



GRAPPLE BUCKET



PALLET FORKS



HYDRAULIC HAMMER



VACUUM SYSTEM



FLOOR SCRAPPER

ATS EQUIPMENT INC.

Construction Equipment & Supplies

Rentals • Sales • Service

BOSTON, MA
(617) 825-3600

AUBURN, MA
(508) 832-8500

REHOBOTH, MA
(508) 379-6200

CANDIA, NH
(603) 483-2100