

# **HYDREMA**

# **922D**

## **DUMP TRUCK**

**AVAILABLE FOR  
RENT OR SALE**

**ATS**  
**EQUIPMENT INC.**

[www.atsequipment.com](http://www.atsequipment.com)

### **22 TON ARTICULATING DUMP TRUCK**



*The 922D is the obvious choice for soft, muddy terrain or for areas with sensitive ground conditions where the lowest possible ground pressure is required. The dump truck gets through regardless of terrain and without damaging the surface.*

**ATS EQUIPMENT INC.    Construction Equipment & Supplies    Rentals • Sales • Service**

**BOSTON, MA**  
**(617) 825-3600**

**AUBURN, MA**  
**(508) 832-8500**

**REHOBOTH, MA**  
**(508) 379-6200**

**CANDIA, NH**  
**(603) 483-2100**

# AVAILABLE FOR RENT OR SALE

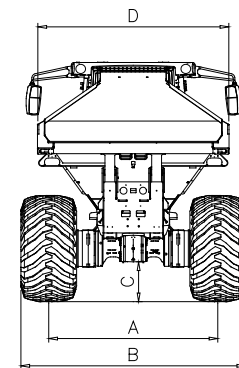
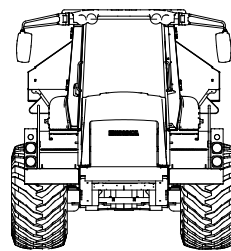
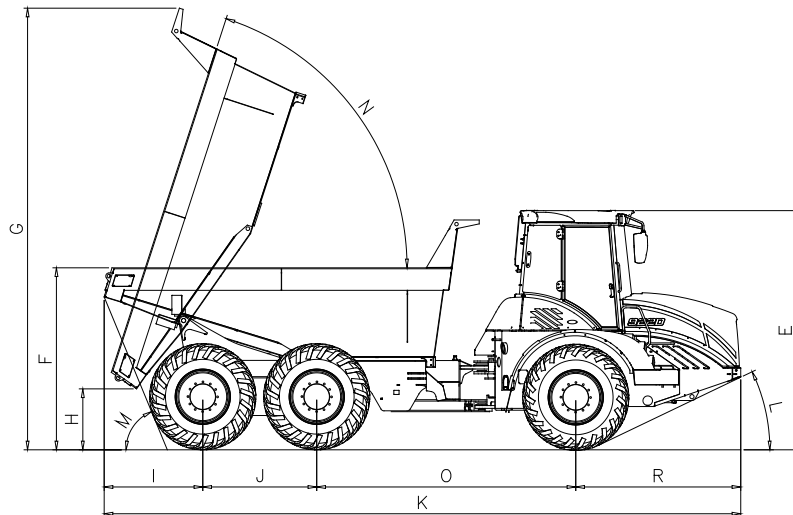
## 922D DUMP TRUCK



[www.atsequipment.com](http://www.atsequipment.com)

### DIMENSIONS

Tires	650/65 R25
Total weight	80,550 lb
Unladen weight	36,450 lb
Load capacity	44,100 lb
B. Total width	10 ft
C. Clearance	1.60 ft
D. Dump truck body width	9.00 ft
E. Total height	11.40 ft
Transport height	11.30 ft
F. Loading height	8.60 ft
G. Height with raised body	20.80 ft
H. Tipping clearance	2.70 ft
I. Overhang, rear	4.60 ft
J. Wheel base, bogie	5.40 ft
K. Length	30.00 ft
L. Approach angle, front	25 degrees
M. Approach angle, rear	67 degrees
N. Tipping angle	70 degrees
O. Wheel base	12.20 ft
R. Overhang, front	7.80 ft
Body capacity, levelled	11.6 yd <sup>3</sup>
Body capacity, heaped	15.7 yd <sup>3</sup>
Tipping time, raise	7.5 sec.
Tipping time, lower	5.5 sec.
Turning radius, outer	27.4 ft
Ground pressure	16.5 psi



### ADVANTAGES

Great driving performance. Keeps going where other vehicles have to give up.

High quality. Solid design. Built to last. Rental friendly.

Low unladen weight and genuine bogie axles gives a very low ground pressure.

High-torque Cummins QSB-6.7 EPA Tier III engine.

Extremely user-friendly and simple to use. High safety and driver comfort.

**ATS EQUIPMENT INC. Construction Equipment & Supplies Rentals • Sales • Service**

**BOSTON, MA**  
**(617) 825-3600**

**AUBURN, MA**  
**(508) 832-8500**

**REHOBOTH, MA**  
**(508) 379-6200**

**CANDIA, NH**  
**(603) 483-2100**