

**AVAILABLE FOR
RENT OR SALE**

SKYJACK™

SJ8841 RT

ROUGH TERRAIN SCISSOR

ATS
EQUIPMENT INC.

www.atsequipment.com

41' FULL SIZE ROUGH TERRAIN DIESEL

SUPERIOR GRADEABILITY

Skyjack rough terrain scissor lifts boast impressive platform capacities and industry-leading gradeability. With crossover symmetrical four-wheel drive, these machines deliver maximum torque to all wheels for superior all terrain performance.

STANDARD FEATURES

- Axle based 4WD system
- "Detroit Locker" type rear differential and limited slip front differential
- Drivable at full height
- Dual fuel (gas/propane) or diesel engine
- Self-centering scissor design allows extension decks to be added to both ends
- 4' (1.22 m) Roll out extension deck
- Disc brake system on rear axle
- 30% Gradeability
- 110V AC Outlet on platform with GFI
- Tilt alarm with drive & lift cut-out
- All motion audible alarm
- Lanyard attachment points
- Tie down/lift lugs
- Operator horn
- Flashing light
- Fold down hinged railing system
- Half height spring hinged gates on both sides
- Grip lug, air-filled tires
- Relay based control system
- SKYCODE™ color coded and numbered wiring system
- Telematics ready



* Flotation type tires reduce capacity to 1,700 lbs on 8831, and reduces capacity to 1,250 lbs on SJ8841 RT

† Standard lead times may be increased when optional equipment is added, consult factory.

‡ Capacities, and machine weights may differ when options are added.

ATS EQUIPMENT INC. Construction Equipment & Supplies Rentals • Sales • Service

BOSTON, MA
(617) 825-3600

AUBURN, MA
(508) 832-8500

REHOBOTH, MA
(508) 379-6200

CANDIA, NH
(603) 483-2100



SJ8841 RT SCISSOR

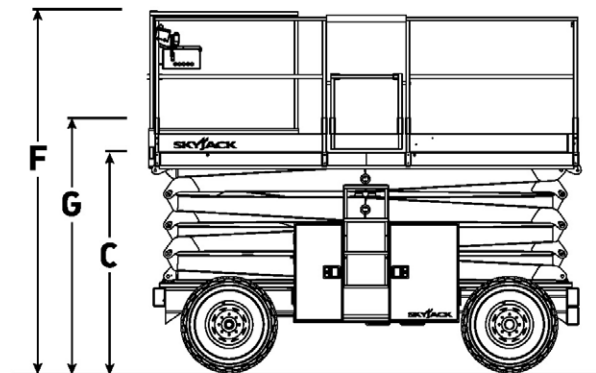
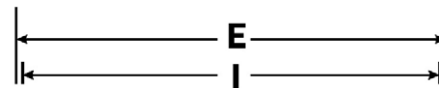
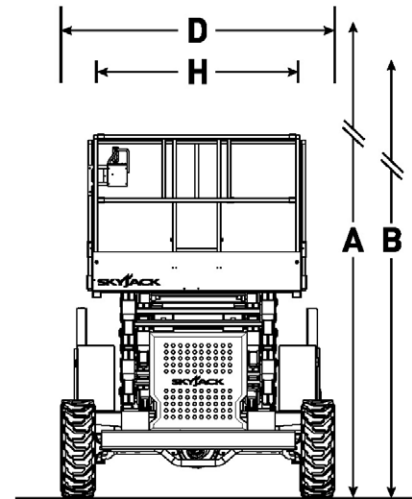
41' FULL SIZE ROUGH TERRAIN DIESEL

**AVAILABLE FOR
RENT OR SALE**



www.atsequipment.com

Dimensions	SJ8841 RT
A Work Height	47'
B Raised Platform Height	41'
C Lowered Platform Height	69"
D Overall Width	87"
E Overall Length	139"
F Stowed Height (Rails Up)	114"
G Stowed Height (Rails Down)	87.5"
H Platform Width (Inside Dimension)	67"
I Platform Length (Inside Dimension)	134"
Specifications	SJ8841 RT
Extension Deck	4'
Ground Clearance	8"
Wheelbase	89.3"
Weight	10,880 lbs
Gradeability	30%
Turning Radius (Inside)	158"
Turning Radius (Outside)	248"
Lift Time (With Rated Load)	56 sec
Lower time (With Rated Load)	53 sec
Drive Speed (Stowed)	3.5 mph
Drive Speed (Raised)	0.6 mph
Maximum Drive Height	Full Height
Capacity (Overall)	1,500 lbs
Local Floor Load (With Rated Load)	136 psi
Overall Floor Load (With Rated Load)	163 psf
Maximum # of Persons	5
Tire Type	Air Filled
Tire Size	10 x 16.5



Model	Capacity With 1 Extension Deck*		Capacity With 2 Extension Decks*		
	Main	Front Ext.	Main	Front Ext.	Rear Ext.
SJ8841 RT	1,000 lbs	500 lbs	500 lbs	500 lbs	500 lbs

ATS EQUIPMENT INC. Construction Equipment & Supplies Rentals • Sales • Service

BOSTON, MA (617) 825-3600	AUBURN, MA (508) 832-8500	REHOBOTH, MA (508) 379-6200	CANDIA, NH (603) 483-2100
--	--	--	--