

# KOBELCO

# SK35SR

## COMPACT MINI EXCAVATOR

AVAILABLE FOR  
RENT OR SALE

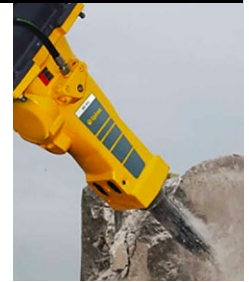


[www.atsequipment.com](http://www.atsequipment.com)

### An Evolutionary Leap: The Ultra-Compact Yet Tough SR-5 Series



8,070lbs  
28 hp  
10 gallon fuel tank  
Rubber Tracks



### Specifications

GENERAL			
MODEL		SK35SR	
Type		SK35SR-5	
Machine Mass	Cab	lbs	8,200
Arm Length		ft-in	4' 4"
ENGINE			
Model		YANMAR 3TNV88-BPYB	
Type		Water cooled, 4-cycle, 3-cylinder, direct injection, diesel engine	
Power Output		hp/rpm	28.4/2,400 (SAE NET)
Max. Torque		lbf-ft/rpm	73.3/1,440
Displacement		cu in	100.2
Fuel Tank		U. S. gal	10
HYDRAULIC SYSTEM			
Pump		Two variable displacement pumps	
Max. Discharge Flow		US gal/min	2 x 10.1
Relief Valve Setting (Excavating circuits)		psi	3,335
Relief Valve Setting (Dozer circuit)		psi	3,335
Hydraulic Oil Tank (system)		US gal	10
TRAVEL SYSTEM			
Travel Motors		2x axial-piston motor	
Parking Brake		Oil disc brake per motor	
Travel Speed (high/low)		mph	2.8/1.6
Drawbar Pulling Force (SAE)	Cab	lbf	8,630

- Standard 18" bucket
- 12" digging bucket
- 30" grading
- 42" powertilt grading
- Thumbs available
- Auger available
- Hammers available



**ATS EQUIPMENT INC. Construction Equipment & Supplies Rentals • Sales • Service**

**BOSTON, MA**  
(617) 825-3600

**AUBURN, MA**  
(508) 832-8500

**REHOBOTH, MA**  
(508) 379-6200

**CANDIA, NH**  
(603) 483-2100

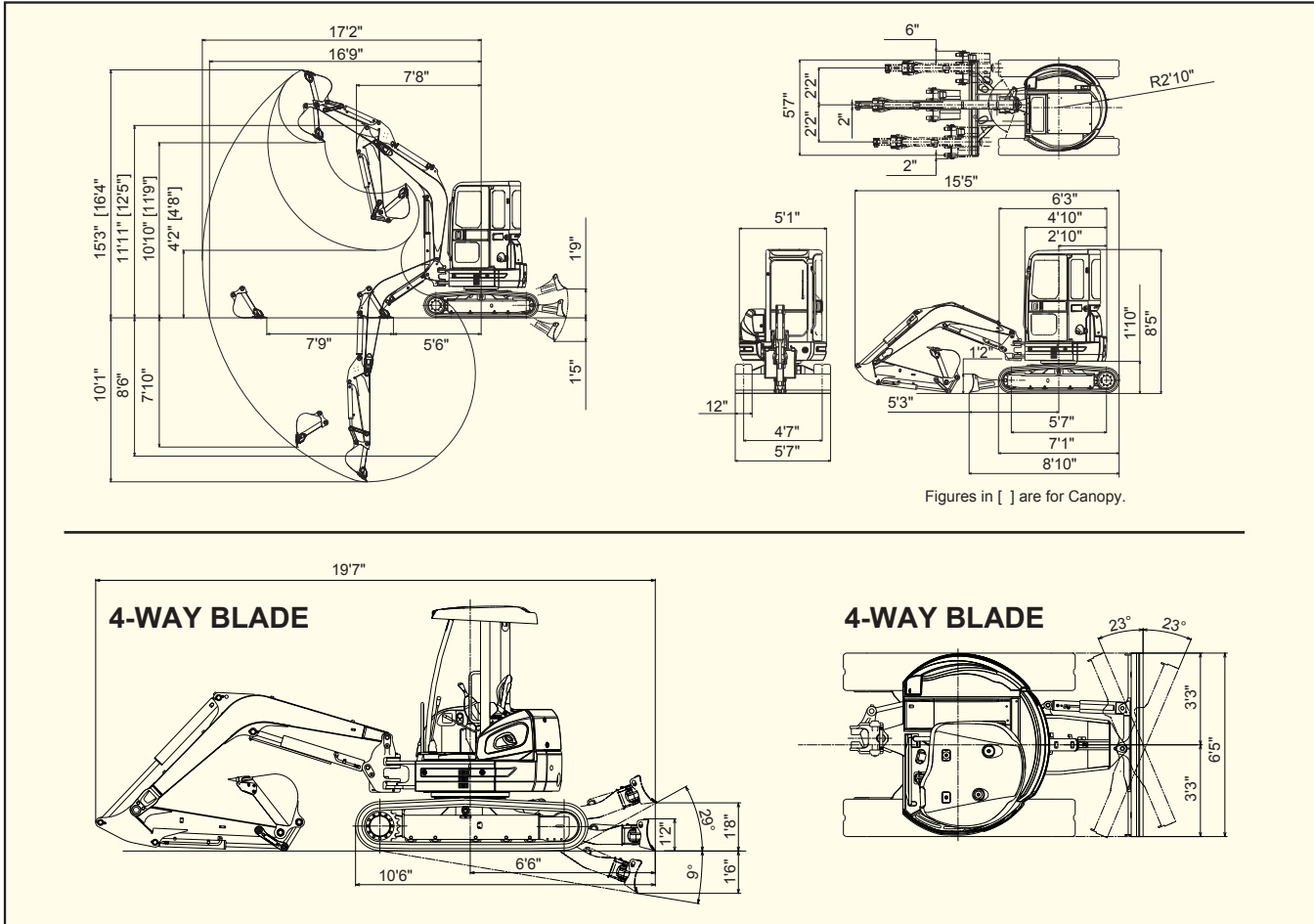
**AVAILABLE FOR RENT OR SALE**  
**KOBELCO SK35SR**



**COMPACT MINI EXCAVATOR**

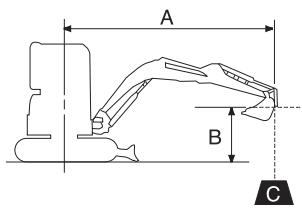
**WORKING RANGES & DIMENSIONS**

[www.atsequipment.com](http://www.atsequipment.com)



**LIFTING CAPACITIES**

- Rating over front
- Rating over side or 360 degrees



A: Reach from swing centerline to bucket hook  
 B: Bucket hook height above/below ground  
 C: Lifting capacities in pounds  
 Shoe: Rubber shoe Dozer blade: Down  
 Relief valve setting: 3,335psi {23}MPa

SK35SR CAB		Standard arm: 4'4" Shoe: 12"									
		5'		7.5'		10'		12.5'		15'	
B											
10'	lb							*1,190	*1,190		
7.5'	lb							*1,280	1,160		
5'	lb			*2,760	2,510	*1,830	1,600	*1,480	1,120		
2.5'	lb			*3,760	2,310	*2,270	1,500	*1,690	1,070	*1,390	800
G. L.	lb	*2,550	*2,550	*4,020	2,250	*2,520	1,450	*1,820	1,040		
-2.5'	lb	*4,080	*4,080	*3,830	2,250	*2,520	1,430	*1,800	1,030		
-5'	lb	*5,790	4,800	*3,290	2,280	*2,210	1,450				
-7.5'	lb	*3,470	*3,470	*2,110	*2,110						

**ATS EQUIPMENT INC. Construction Equipment & Supplies Rentals • Sales • Service**

**BOSTON, MA (617) 825-3600**      **AUBURN, MA (508) 832-8500**      **REHOBOTH, MA (508) 379-6200**      **CANDIA, NH (603) 483-2100**