

PARTS MANUAL



Mikasa **SERIES**
MODEL MTX70HD
TAMPING RAMMER
(HONDA GX100RTKRBG GASOLINE ENGINE)

Revision #9 (02/03/22)

To find the latest revision of this publication or associated operation manual, visit our website at: www.multiquip.com



THIS MANUAL MUST ACCOMPANY THE EQUIPMENT AT ALL TIMES.

TABLE OF CONTENTS

MTX70HD Rammer

Explanation Of Code In Remarks Column.....	4
Suggested Spare Parts	5

Rammer Component Drawings

Nameplates And Decals	6-7
Crankcase And Engine Assembly	8-11
Guide Cylinder Assembly	12-13
Foot Assembly	14-15
Fuel Tank And Handle Assembly.....	16-17
Combination Lever Assembly	18-19
Tools	20-21

Honda GX100RTKRBF Engine

Cylinder Barrel Assembly	22-23
Crankcase Cover Assembly	24-25
Crankshaft Assembly.....	26-27
Piston/ Connecting Rod Assembly	28-29
Camshaft Assembly.....	30-31
Recoil Starter Assembly	32-33
Fan Cover Assembly.....	34-35
Carburetor Assembly	36-37
Muffler Assembly	38-39
Flywheel Ignition Assembly	40-41
Control Assembly	42-43
Labels Assembly	44-45

NOTICE

Specifications and part numbers are subject to change without notice.

EXPLANATION OF CODE IN REMARKS COLUMN

The following section explains the different symbols and remarks used in the Parts section of this manual. Use the help numbers found on the back page of the manual if there are any questions.

NOTICE

The contents and part numbers listed in the parts section are subject to change **without notice**. Multiquip does not guarantee the availability of the parts listed.

SAMPLE PARTS LIST

NO.	PART NO.	PART NAME	QTY.	REMARKS
1	12345	BOLT	1	INCLUDES ITEMS W/%
2%		WASHER, 1/4 IN.		NOT SOLD SEPARATELY
2%	12347	WASHER, 3/8 IN. ...	1	MQ-45T ONLY
3	12348	HOSE	A/R	MAKE LOCALLY
4	12349	BEARING	1	S/N 2345B AND ABOVE

NO. Column

Unique Symbols — All items with same unique symbol (@, #, +, %, or >) in the number column belong to the same assembly or kit, which is indicated by a note in the “Remarks” column.

Duplicate Item Numbers — Duplicate numbers indicate multiple part numbers, which are in effect for the same general item, such as different size saw blade guards in use or a part that has been updated on newer versions of the same machine.

NOTICE

When ordering a part that has more than one item number listed, check the remarks column for help in determining the proper part to order.

PART NO. Column

Numbers Used — Part numbers can be indicated by a number, a blank entry, or TBD.

TBD (To Be Determined) is generally used to show a part that has not been assigned a formal part number at the time of publication.

A blank entry generally indicates that the item is not sold separately or is not sold by Multiquip. Other entries will be clarified in the “Remarks” Column.

QTY. Column

Numbers Used — Item quantity can be indicated by a number, a blank entry, or A/R.

A/R (As Required) is generally used for hoses or other parts that are sold in bulk and cut to length.

A blank entry generally indicates that the item is not sold separately. Other entries will be clarified in the “Remarks” Column.

REMARKS Column

Some of the most common notes found in the “Remarks” Column are listed below. Other additional notes needed to describe the item can also be shown.

Assembly/Kit — All items on the parts list with the same unique symbol will be included when this item is purchased.

Indicated by:

“INCLUDES ITEMS W/(unique symbol)”

Serial Number Break — Used to list an effective serial number range where a particular part is used.

Indicated by:

“S/N XXXXX AND BELOW”

“S/N XXXX AND ABOVE”

“S/N XXXX TO S/N XXX”

Specific Model Number Use — Indicates that the part is used only with the specific model number or model number variant listed. It can also be used to show a part is NOT used on a specific model or model number variant.

Indicated by:

“XXXXX ONLY”

“NOT USED ON XXXX”

“Make/Obtain Locally” — Indicates that the part can be purchased at any hardware shop or made out of available items. Examples include battery cables, shims, and certain washers and nuts.

“Not Sold Separately” — Indicates that an item cannot be purchased as a separate item and is either part of an assembly/kit that can be purchased, or is not available for sale through Multiquip.

SUGGESTED SPARE PARTS

MTX70HD TAMPING RAMMER WITH HONDA GX100UKRBF ENGINE

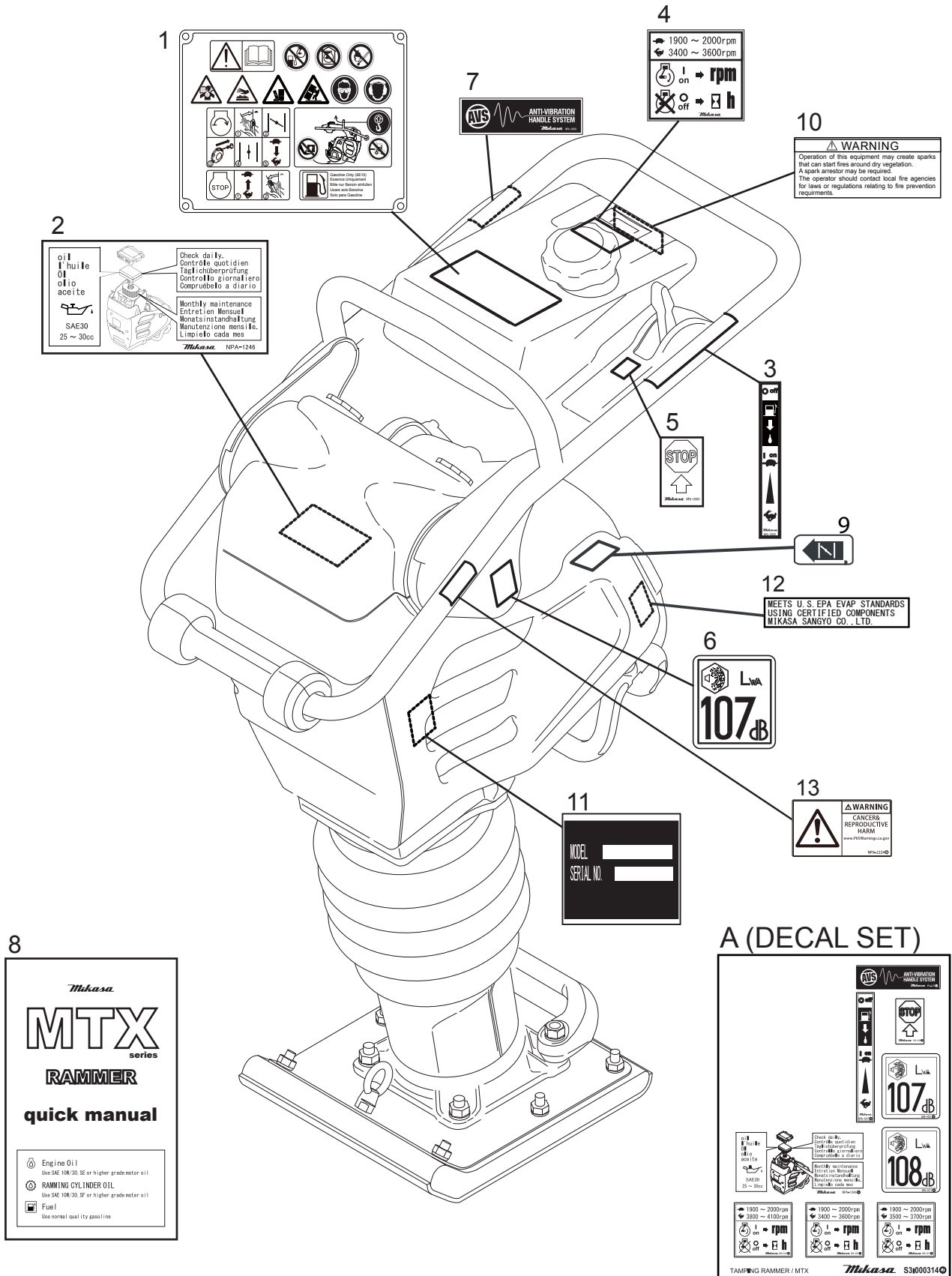
1 to 3 units

Qty.	P/N	Description
1.....	956100062.....	THROTTLE WIRE
3.....	366010070.....	PRIMARY ELEMENT, AIR CLEANER
3.....	366010080.....	SECONDARY ELEMENT, AIR CLEANER
1.....	366350460.....	CAP ASSY., FUEL TANK
2.....	16910Z4ES21.....	FILTER, IN-LINE FUEL
3.....	9805655777.....	SPARK PLUG
1.....	954406010.....	STRAINER, FUEL TANK
1.....	28462Z0DV03.....	ROPE, RECOIL STARTER
1.....	956200110.....	COMBINATION LEVER
1.....	366900170.....	CUP AND PACKING SET
1.....	366348550.....	CLUTCH ASSY

NOTICE

Part numbers on this Suggested Spare Parts list may supersede/replace the part numbers shown in the following parts lists.

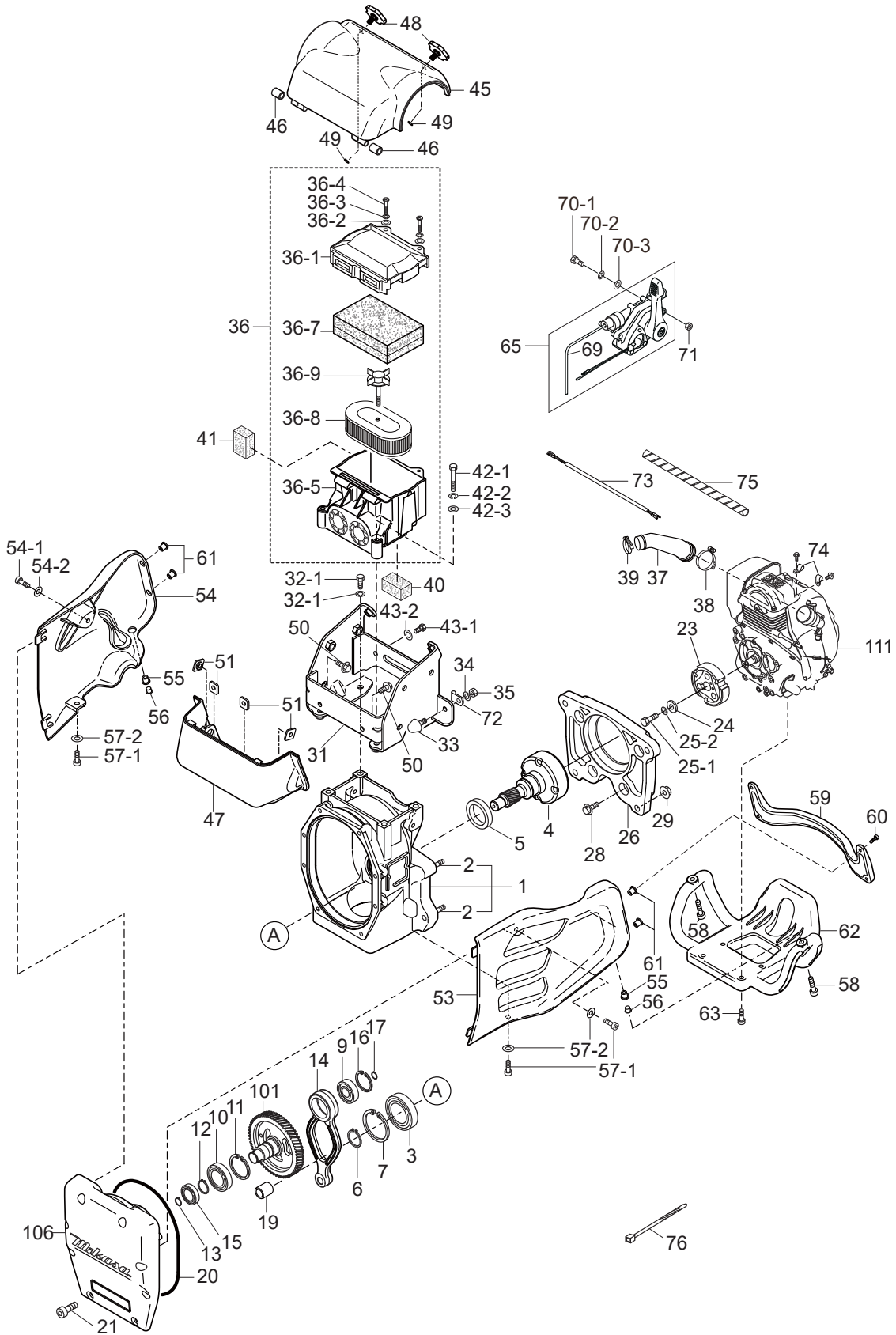
NAMEPLATE AND DECALS



NAMEPLATE AND DECALS

<u>NO.</u>	<u>PART NO.</u>	<u>PART NAME</u>	<u>QTY.</u>	<u>REMARKS</u>
A	920900040	DECAL SET	1.....	INCLUDES ITEMS W/ #
1	920215440	OPERATION DECAL	1	
2#		DECAL, AIR CLEANER	1	
3#		DECAL, LEVER OPERATION	1	
4#		DECAL, MAX SPEED DECAL, 4100 RPM	1	
5#		DECAL, MACHINE STOP	1	
6#		DECAL, EC NOISE REQ. LWA 107 DB	1	
7#		DECAL, ANTI-VIB HANDLE	1	
8	920212540	QUICK MANUAL	1	
9	920212840	DECAL, CHOKE OPERATION	1	
10	920214100	DECAL, E/G FIRE WARNING	1	
11		SERIAL PLATE NO.....	1.....	CONTACT MQ PARTS DEPT. W/SERIAL NO.
12	920216780	DECAL, EVAPO MEET	1	
13	920222240	DECAL, WARNING PROPOSITION 65	1	

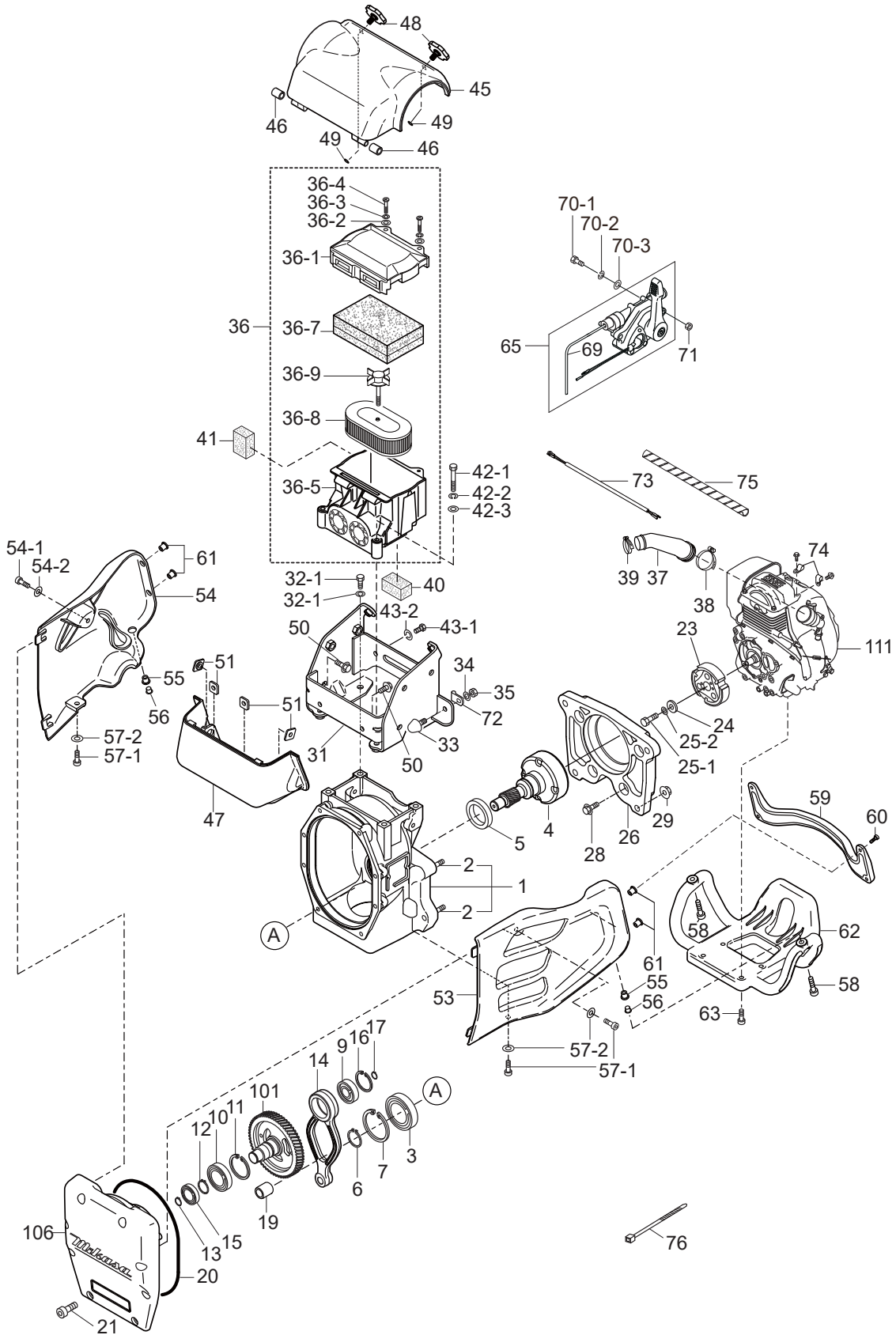
CRANKCASE AND ENGINE ASSY.



CRANKCASE AND ENGINE ASSY.

<u>NO.</u>	<u>PART NO.</u>	<u>PART NAME</u>	<u>QTY.</u>	<u>REMARKS</u>
1	366910010	CRANKCASE	1.....	INCLUDES ITEMS W/\$
2\$	009120204	STUD BOLT 10X30	4	
3	041006007	BEARING 6007Z	1	
4	366345170	DRUM, PINION	1	
5	060404010	OIL SEAL TC-40528	1	
6	080200350	STOP RING S-35	1	
7	080100620	STOP RING R-62	1	
9	040006207	BEARING 6207	1	
10	040006305	BEARING 6305	1	
11	080100720	STOP RING R-72	1	
12	080200350	STOP RING S-35	1	
13	080200250	STOP RING S-25	1	
14	366345230	CONNECTING ROD	1	
15	040006304	BEARING 6304	1	
16	080100520	STOP RING R-52	1	
17	080200200	STOP RING S-20	1	
19	047940060	NEEDLE BEARING FJ-1816	1	
20	050710080	O-RING	1	
21	001520825	SOCKET HEAD BOLT 8X25 T	8	
23	366348550	CLUTCH ASSY.	1	
24	952401450	WASHER, 5X22X3	1	
25-1	001220825	BOLT 8X25 T	1	
25-2	030208200	WASHER, LOCK M8	1	
26	366217180	FLANGE, ENGINE	1	
28	001710830	FLANGE BOLT 8X30	4	
29	022611010	FLANGE NUT M10	4	
31	366346280	BRACKET, SHOCK ABSORBER	1	
32-1	001221030	BOLT 10X30	4	
32-2	030210250	WASHER, LOCK M10	4	
33	939010270	STOPPER RUBBER (70)	1	
34	030208200	WASHER, LOCK M8	1	
35	020308060	NUT M8	1	
36	366900010	AIR CLEANER ASSY.....	1.....	INCLUDES ITEMS W/#
36-1#	366010010	AIR CLEANER COVER CP	1	
36-2#	366010020	WASHER, FLAT M6	2	
36-3#	030206150	WASHER, LOCK M6	2	
36-4#	366010040	COIN BOLT M6	2	
36-5#	366010050	BASE CP, AIR CLEANER	1	
36-7#	366010070	PRIMARY ELEMENT CP	1	
36-8#	366010080	SECONDARY ELEMENT	1	
36-9#	362030040	GRIP BELT CP	1	
37	366345470	PIPE, INTAKE	1	
38	954407681	CYCLONE CLAMP (CY-1) 45	1	
39	954407682	CYCLONE CLAMP (CY-1) 38	1	
40	366460160	SEALING FORM, UNDER	1	
41	366460150	SEALING FORM, SIDE	1	

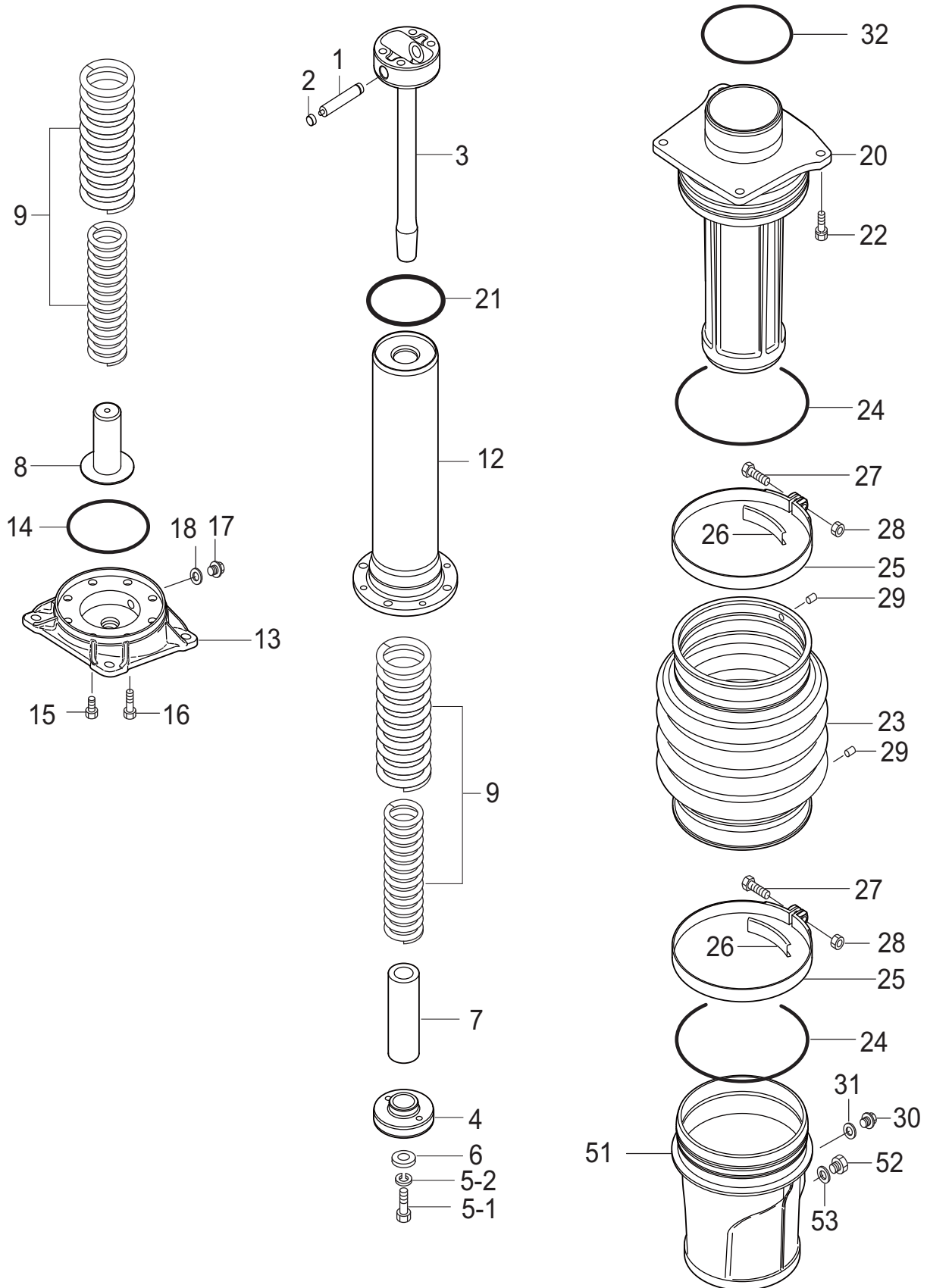
CRANKCASE AND ENGINE ASSY. (CONT'D.)



CRANKCASE AND ENGINE ASSY. (CONT'D.)

NO.	PART NO.	PART NAME	QTY.	REMARKS
42-1	001220851	BOLT 8X55 T	2	
42-2	030208200	WASHER, LOCK M8	2	
42-3	031108160	WASHER, FLAT M8	2	
43-1	001210815	BOLT 8X15	2	
43-2	030208200	WASHER, LOCK M8	2	
45	366217340	COVER, CLEANER (UPPER)	1	
46	366460140	RUBBER BUSH 10X16X17	2	
47	366217350	COVER, CLEANER (LOWER)	1	
48	366345980	KNOB, CLEANER COVER	2	
49	050200060	O-RING P6	2	
50	009110040	FLANGE BOLT 8X20	4	
51	959407670	SQUARE NUT M8	4	
53	366118893	GUARD, LINK	1	
54	366118903	GUARD, MUFFLER	1	
55	022910260	WELL NUT, M8	2	
56	366460170	FLANGE COLLAR 8	2	
57-1	001520820	SOCKET HEAD BOLT 8X20 T	4	
57-2	033910220	WASHER, FLAT M8	4	
58	009110038	SOCKET HEAD BOLT 8X30 ZN	2	
59	366217360	EX BAR	1	
60	009110039	SOCKET HEAD BOLT 6X25 ZN	4	
61	022910250	WELL NUT M6	4	
62	366118913	GUARD, ENGINE	1	
63	009110038	SOCKET HEAD BOLT 8X30 ZN	4	
65	366900032	COMBINATION LEVER ASSY. W/WIRE.....	1	INCLUDES ITEMS W/@
69@	956100062	THROTTLE WIRE	1	
70-1	001220620	BOLT 6X20T	2	
70-2	030206150	WASHER, LOCK M6	2	
70-3	031106100	WASHER, FLAT M6	2	
71	020306050	NUT M6	2	
72	959006120	CLIP (TCP2-10509B)	1	
73	366460110	WIRE HARNESS	1	
74	2067550101	CLAMP	2	
75	959021814	SPIRAL TUBE KEP6/L=500	1	
76	454010020	CLAMP, TC-100	3	
101	366345190	CRANK GEAR	1	
106	366010111	FRONT COVER	1	
111	912210021	ENGINE ASSY., GX100RTKRBF	1	

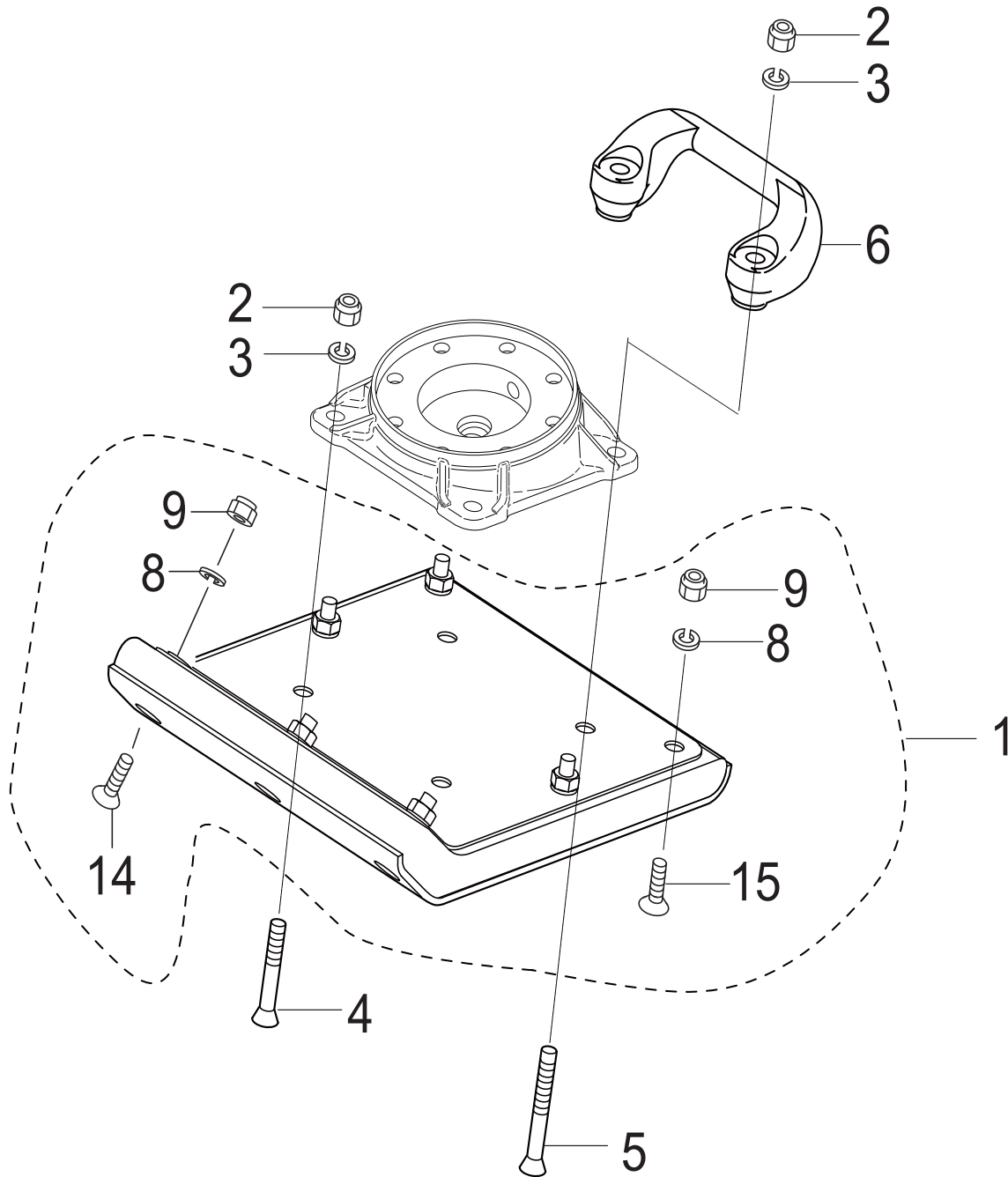
GUIDE CYLINDER ASSY.



GUIDE CYLINDER ASSY.

<u>NO.</u>	<u>PART NO.</u>	<u>PART NAME</u>	<u>QTY.</u>	<u>REMARKS</u>
1	366460100	PISTON PIN	1	
2	366459910	PLUG, PISTON PIN	2	
3	366346000	PISTON ROD	1	
4	371459690	PISTON END	1	
5-1	001221230	BOLT 12X30 T	1	
5-2	030212300	WASHER, LOCK M12	1	
6	952404790	WASHER 13306	1	
7	355447260	STOPPER, LOWER	1	
8	366459900	STOPPER, BOTTOM	1	
9	366459730	MAIN SPRING	2	
12	366345990	SPRING CYLINDER	1	
13	366217210	FOOT PLATE 12	1	
14	050100900	O-RING G-90	1	
15	001521020	SOCKET HEAD BOLT 10X20 T	4	
16	001521040	SOCKET HEAD BOLT 10X40 T	4	
17	953405270	PLUG 1/4X14 13L	1	
18	953405260	PACKING 1/4 (CU)	1	
20	366217440	GUIDE CYLINDER	1	
21	050710070	O-RING AS568-344	1	
22	002211035	BOLT 10X35 H, SW	4	
23	354010010	BELLOWS, ORANGE	1	
24	050931500	O-RING JAS03150	2	
25	354336352	BELLOWS CLAMP (1.6T)171 D	2	
26	354442340	BAND GUIDE, BELLOWS	2	
27	001220840	BOLT 8X40 T	2	
28	020308060	NUT M8	2	
29	354446170	PIN 6D-8.5L	2	
30	953405270	PLUG 1/4X14 13L	1	
31	953405260	PACKING 1/4 (CU)	1	
32	050200950	O-RING P-95	1	
51	366118590	PROTECTION SLEEVE	1	
52	366460300	OIL GAUGE ASSY.	1	
53	953404670	COPPER PACKING 17X25.5X1	1	

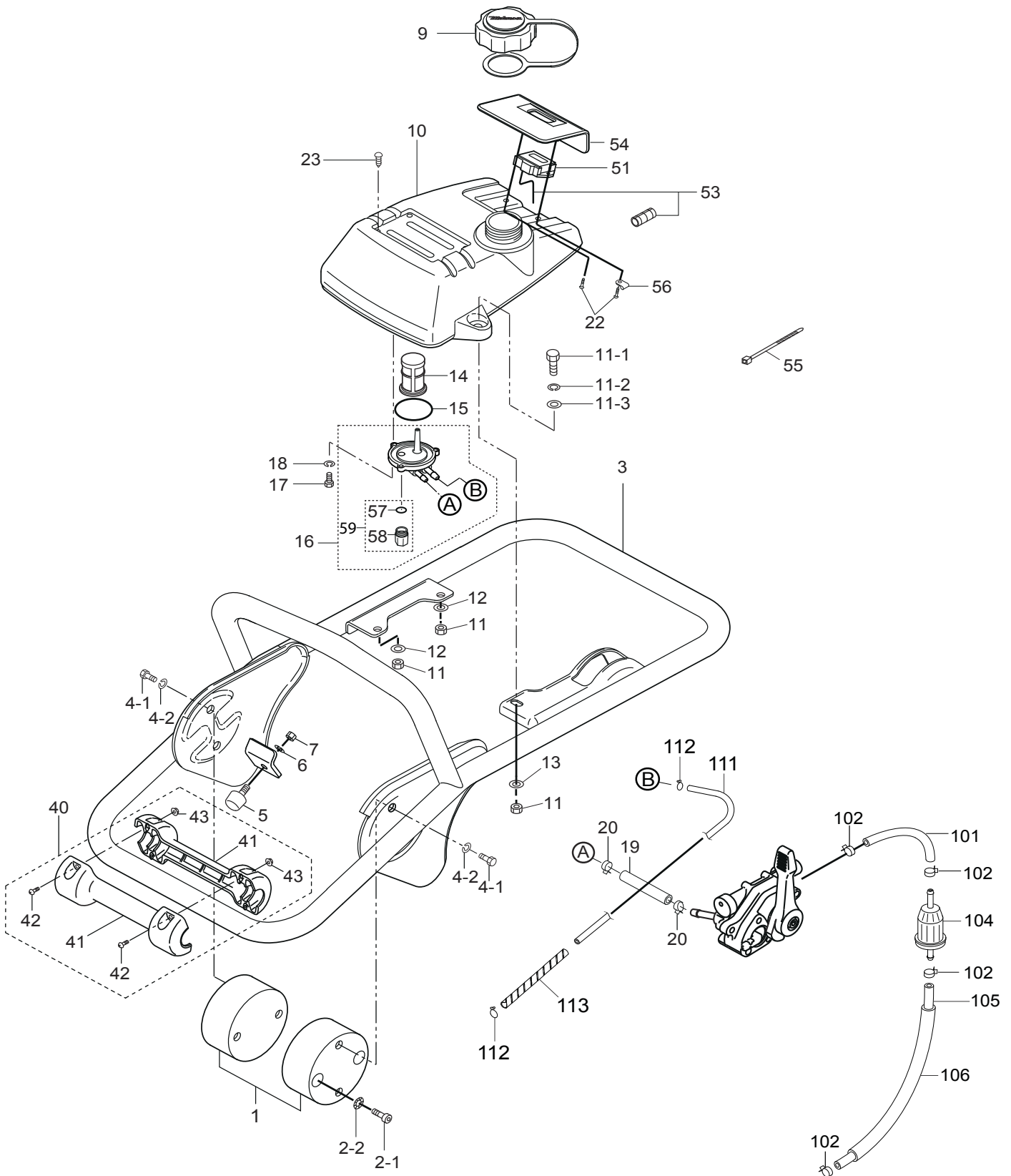
FOOT ASSY.



FOOT ASSY.

<u>NO.</u>	<u>PART NO.</u>	<u>PART NAME</u>	<u>QTY.</u>	<u>REMARKS</u>
1	8511S	FOOT ASSY 285	1.....	INCLUDES ITEMS W/#
2	022711214	NYLON NUT M12	4	
3	030212300	WASHER, LOCK M12	4	
4	009110034	BOLT, SQUARE NECK 12X65	2	
5	009110035	BOLT, SQUARE NECK 12X95	2	
6	363343390	GRIP HANDLEBAR	1	
8#	030210250	WASHER, LOCK M10	7	
9#	022711012	NYLON NUT M10	7	
14#	009110036	BOLT, SQUARE NECK 10X55	3	
15#	009110033	BOLT, SQUARE NECK 10X50	4	

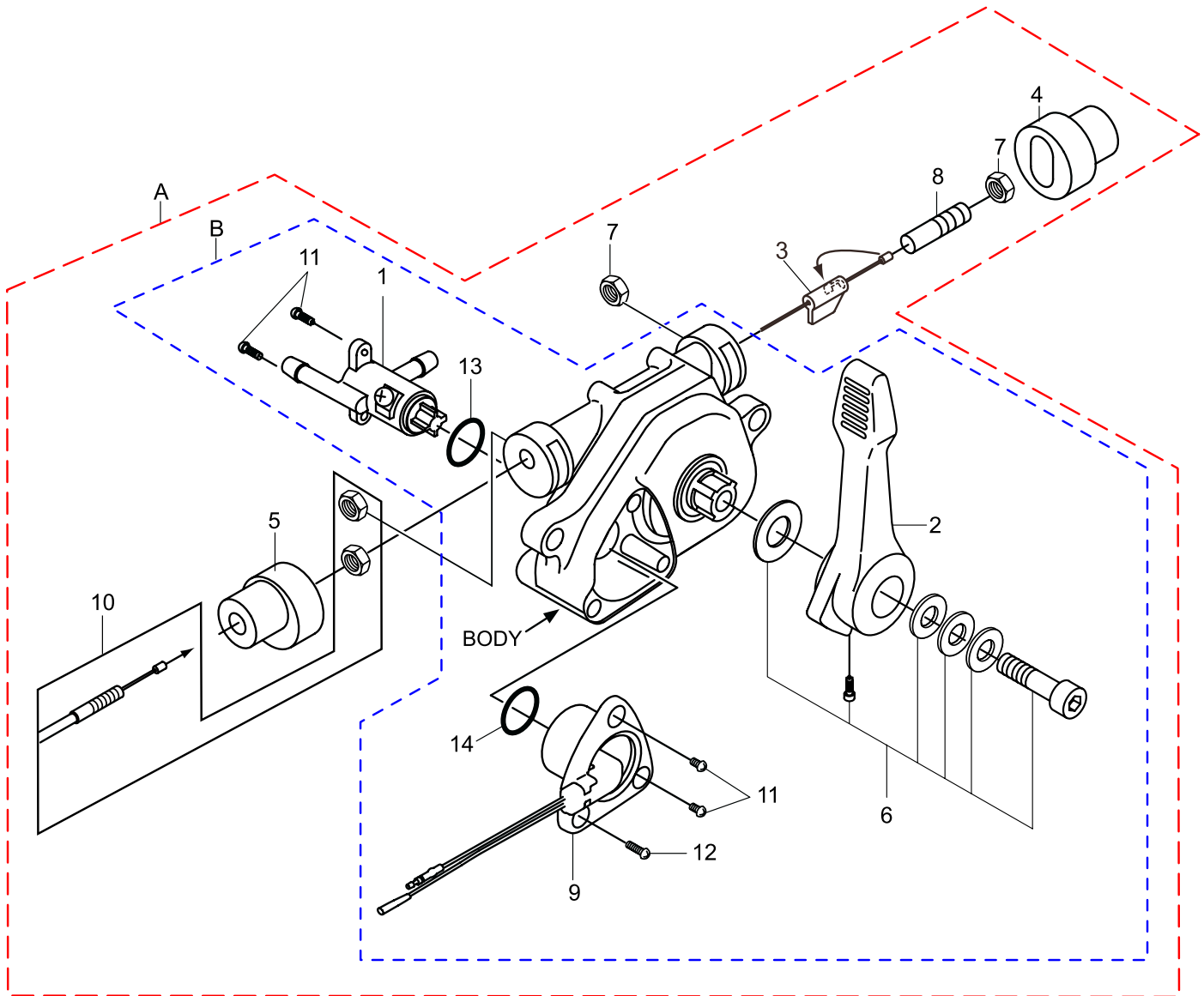
FUEL TANK AND HANDLE ASSY.



FUEL TANK AND HANDLE ASSY.

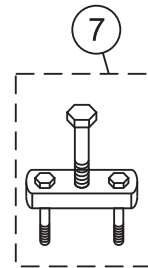
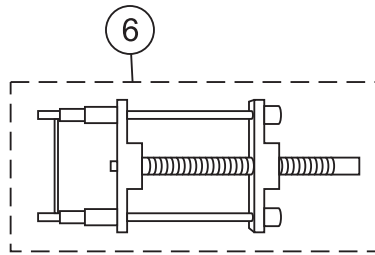
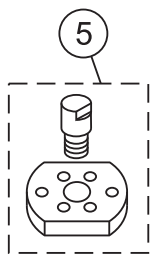
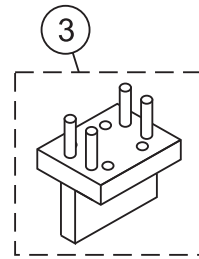
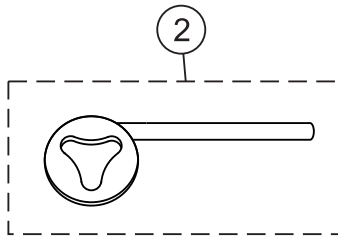
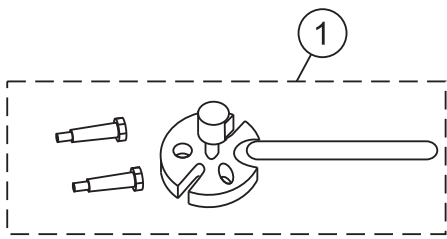
<u>NO.</u>	<u>PART NO.</u>	<u>PART NAME</u>	<u>QTY.</u>	<u>REMARKS</u>
1	366346270	SHOCK ABSORBER W/PIN	2	
2-1	001521020	SOCKET HEAD BOLT 10X20 T	4	
2-2	033121009	TOOTHED LOCK WASHER B M10	4	
3	366119042	HANDLE/MTX	1	
4-1	001211020	BOLT 10X20 H	4	
4-2	030210250	WASHER, LOCK M10	4	
5	939010270	STOPPER RUBBER (70)	1	
6	030208200	WASHER, LOCK M8	1	
7	020308060	NUT M8	1	
9	366350460	CAP ASSY, FUEL TANK	1	
10	366120250	FUEL TANK/MTX70	1	
11	022710809	NYLON NUT M8	3	
11-1	001210825	BOLT 8X25 H	3	
11-2	030208200	WASHER, LOCK M8	3	
11-3	031108160	WASHER, FLAT M8	3	
12	952401450	WASHER 8.5X22X3	2	
13	031108160	WASHER FLAT M8	1	
14	954406010	STRAINER #110	1	
15	050250420	O-RING P42	1	
16	366350580	HOLDER, FILTER	1	INCLUDES ITEMS W/\$
17	001200515	BOLT 5X15 H	3	
18	030205130	WASHER, LOCK M5	3	
19	959328406	FUEL HOSE L=90	1	
20	954406420	HOSE BAND 10.5	2	
22	009110037	TAPPING SCREW 5X20	2	
23	094010053	PANHEAD SCREW 4X8	4	
40	366910030	ROLLER ASSY. W/SCREW	1	INCLUDES ITEMS W/#
41#	366217170	ROLLER	2	
42#	091005020	SCREW 5X20	4	
43#	022610505	FLANGE NUT M5 H	4	
51	955010311	TP22 TACHO/HOUR METER	1	
53	955010305	CURL CORD TP22	1	
54	366345620	FINISHER, METER	1	
55	454010020	CLAMP TC100	5	
56	954010270	CLIP AB-3N	1	
57&\$	366464270	PACKING, HOLDER FILTER	1	
58&\$	366464260	CUP, HOLDER FILTER	1	
59\$	366900170	CUP AND PACKING SET	1	INCLUDES ITEMS W/&
101	959328402	FUEL HOSE 5.5X8.5X170	1	
102	0561080020	HOSE BAND	4	
104	16910Z4ES21	FILTER, IN-LINE FUEL	1	
105	959328403	FUEL HOSE 5.5X8.5X260	1	
106	954407720	TUBE, VINYL L180	1	
111%	959028301	RETURN HOSE 3X6X600	1	
112%	954408170	HOSE CLIP	2	
113%	959021814	SPIRAL TUBE 6D-200L	1	

COMBINATION LEVER ASSY.



COMBINATION LEVER ASSY.

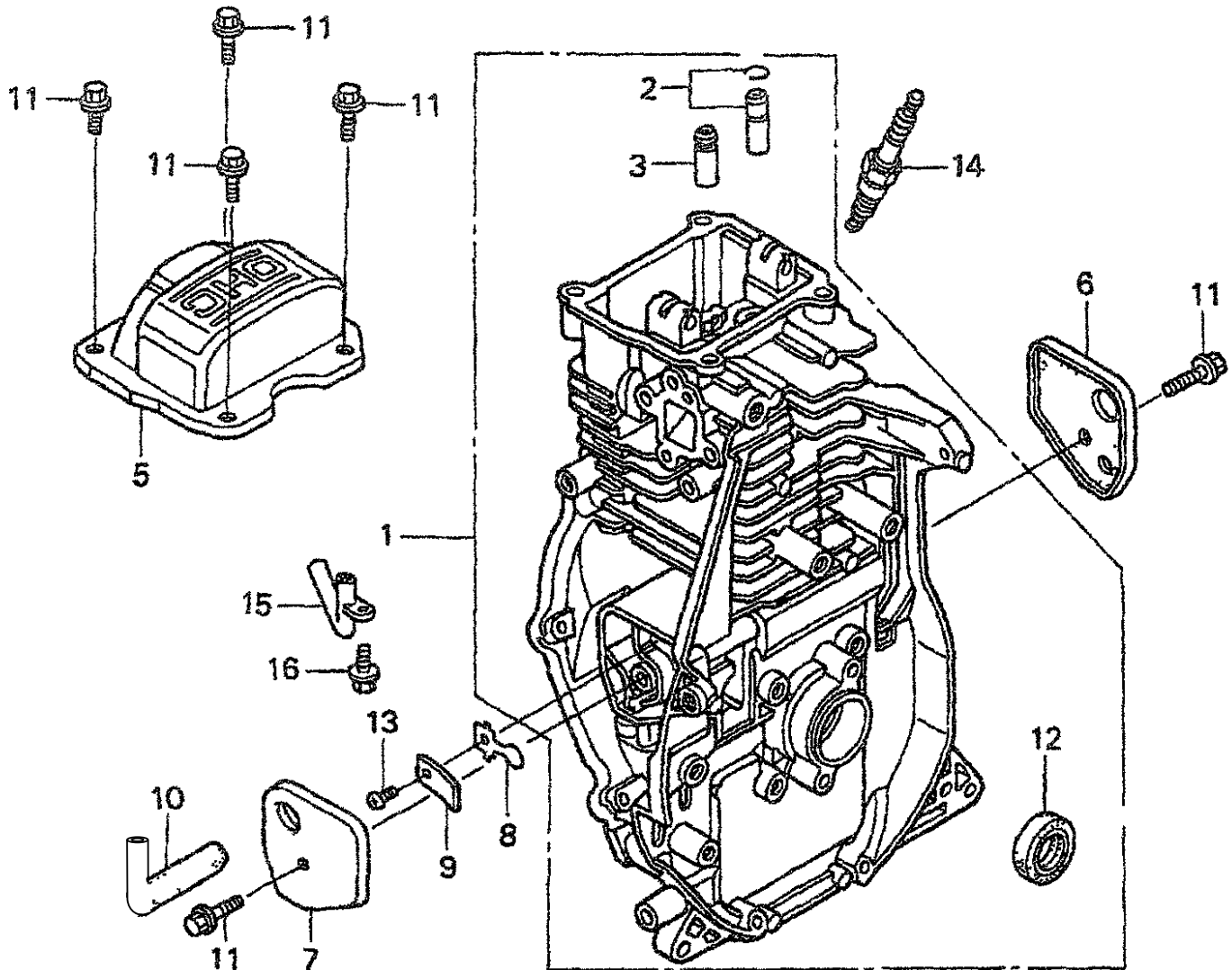
<u>NO.</u>	<u>PART NO.</u>	<u>PART NAME</u>	<u>QTY.</u>	<u>REMARKS</u>
A	366900032	COMB. LEVER W/ THROTTLE WIRE.....	1.....	INCLUDES ITEMS W/@
B	956200110	COMB. LEVER W/OUT THROTTLE WIRE.....	1.....	INCLUDES ITEMS W/ #
1@#	366349430	FUEL COCK	1	
2@#	366010310	LEVER	1	
3@	366010190	SLIDER	1	
4@	366010200	END CAP	1	
5@	366010210	WIRE CAP	1	
6@#	366010220	BOLT AND WASHER SET	1	
7@	020408050	NUT M8, H=5	2	
8@	959407650	SOCKET HEAD SCREW/TH.WIRE	1	
9@#	366010320	STOP SWITCH	1	
10@	956100062	THROTTLE WIRE	1	
11@#	094010051	TAPPING SCREW B1 4X12	4	
12@#	094010052	TAPPING SCREW B1 4X30	1	
13@#	050200150	O-RING, P15	1	
14@#	050200110	O-RING, P11	1	



TOOLS

<u>NO.</u>	<u>PART NO.</u>	<u>PART NAME</u>	<u>QTY.</u>	<u>REMARKS</u>
1	981010400	CLUTCH PULLER A	1	
2	983010060	CLUTCH MOUNTER	1	
3	983910030	PISTON ROD HOLDER	1	
4	009110044	SOCKET HEAD BOLT 8X50 (FULL THREAD)		
		CRANK GEAR REMOVER	2	
5	983910021	CLUTCH PULLER B	1	
6	983010042	SPRING CYLINDER REMOVER	1	
7	983910010	PISTON END REMOVER	1	

HONDA GX100RTKRB ENGINE — CYLINDER BARREL ASSY.



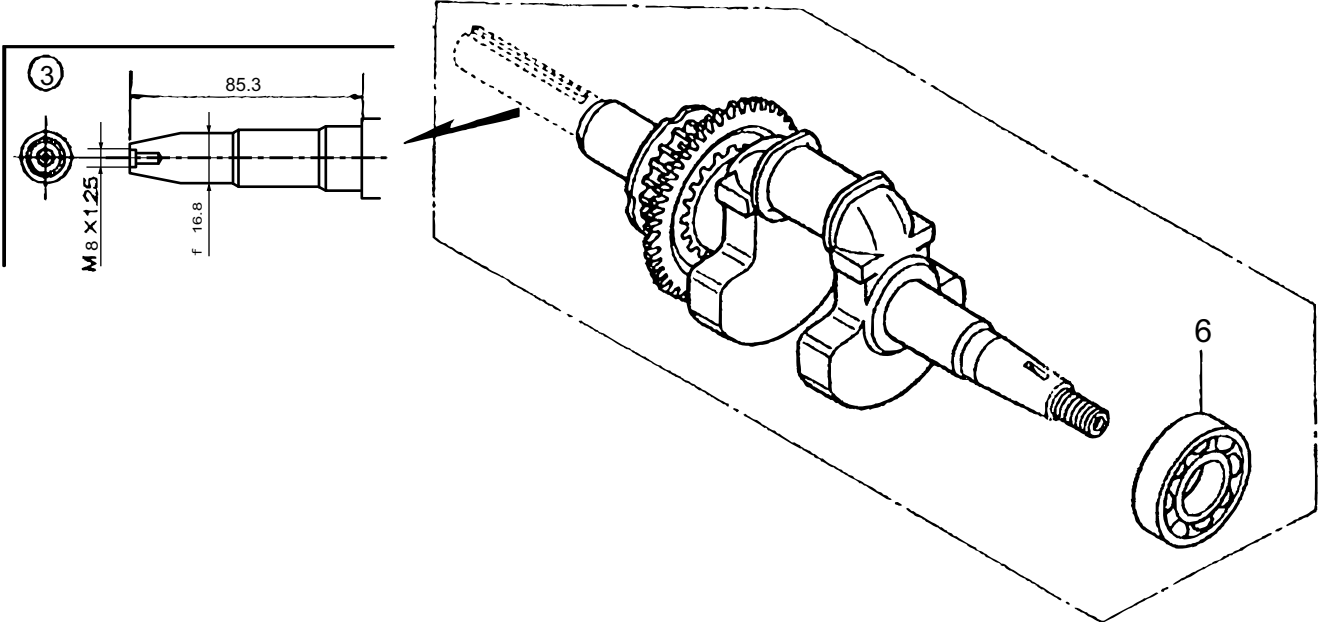
HONDA GX100RTKRB ENGINE — CYLINDER BARREL ASSY.

<u>NO.</u>	<u>PART NO.</u>	<u>PART NAME</u>	<u>QTY.</u>	<u>REMARKS</u>
1	12000Z0D405	BARREL ASSY., CYLINDER	1.....	INCLUDES ITEMS W/@
2@	12201Z0D305	GUIDE ASSY., EX VALVE (O.S.)	1	
3@	12204Z0D305	GUIDE, INLET VALVE (O.S)	1	
5	12311Z0D000	COVER, HEAD T	1	
6	12355Z0D000	COVER COMP A, BREATHER	1	
7	12365Z0D000	COVER COMP B, BREATHER	1	
8	15571Z0DV71	VALVE, OIL OUTLET	1	
9	15572ZM7000	PLATE, STOPPER	1	
10	15721Z0DV70	TUBE, BREATHER	1	
11	90014952000	BOLT, FLANGE 6X14 (CT200)	6	
12@	91202KJ9003	OIL SEAL 20X32X6	1	
13	93500030050A	SCREW 3X5	1	
14	9805655777	PLUG, SPARK (U16FSR-UB)	1	
15	15171Z0DV00	PIPE, BREATHER	1	
16	90008ZM7000	BOLT 4X10	1	

HONDA GX100RTKRB ENGINE — CRANKCASE COVER ASSY.

<u>NO.</u>	<u>PART NO.</u>	<u>PART NAME</u>	<u>QTY.</u>	<u>REMARKS</u>
1	11300Z0D409	COVER ASSY., CRANK CASE	1.....	INCLUDES ITEMS W/@
3	15600ZM7003	OIL FILLER CAP ASSY	1.....	INCLUDES ITEMS W/#
4#	15625Z0T800	PACKING, OIL FILLER CAP	1	
5@	16510ZL8000	GOVERNOR ASSY.	1	
9@	16531ZE1000	SLIDER, GOVERNOR	1	
10	16541Z0D000	SHAFT, GOVERNOR ARM	1	
11	90121952000	FLANGE BOLT 6x25	8	
12	90131ZE1000	BOLT, DRAIN PLUG	1	
13@	90451ZE1000	THRUST WASHER 6 MM	1	
14	90601ZE1000	WASHER, DRAIN PLUG	1	
15@	90602ZE1000	CLIP, GOVERNOR HOLDER	1	
16@	91202KJ9003	OIL SEAL 20x32x6	1	
17@	9410106800	PLAIN WASHER 6 MM	2	
18	9425108000	LOCK PIN	1	
19	9430108200	KNOCK PIN	2	
21@	91001Z0DV01	BEARING, RADIAL BALL 6204	1	
24	91231891003	OIL SEAL 6x11x4	1	

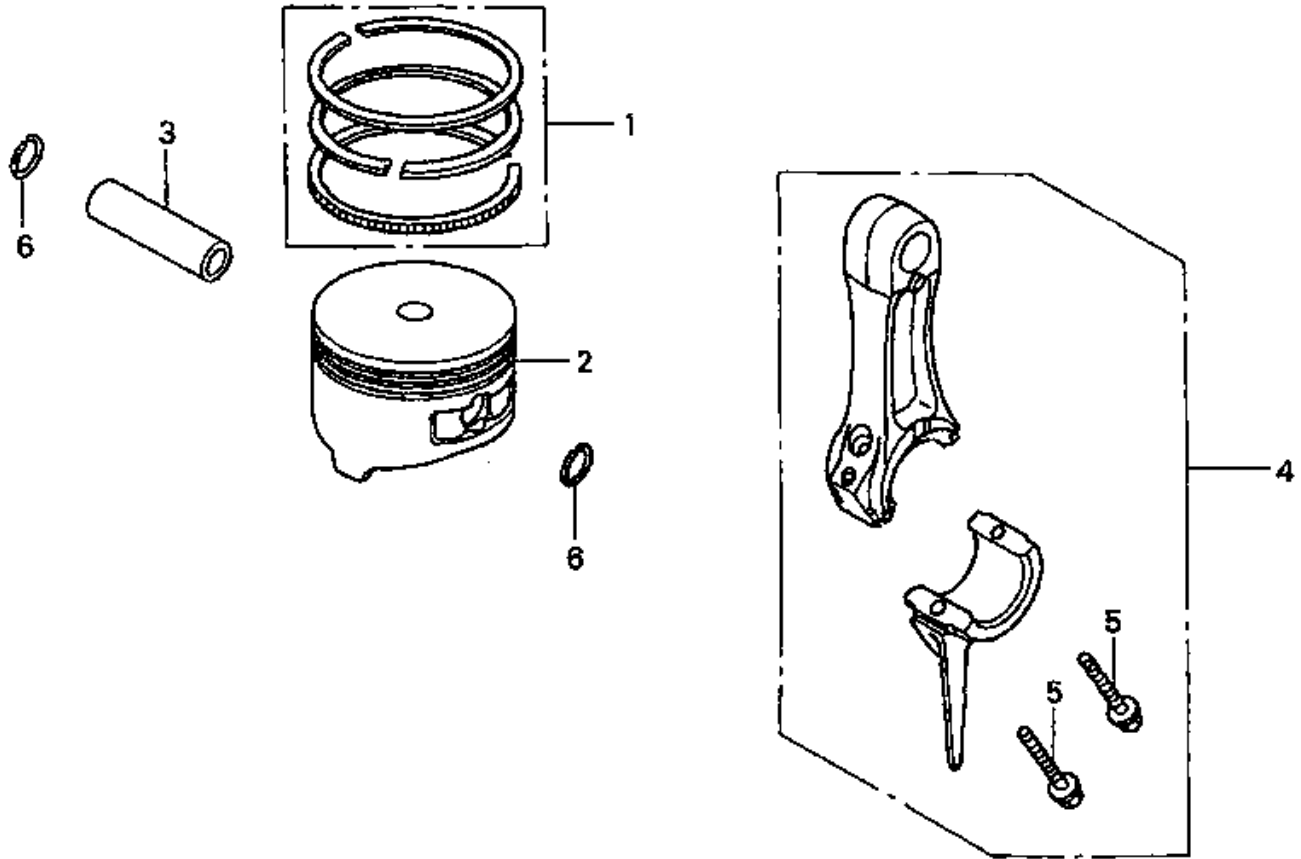
HONDA GX100RTKRBF ENGINE — CRANKSHAFT ASSY.



HONDA GX100RTKRBF ENGINE — CRANKSHAFT ASSY.

<u>NO.</u>	<u>PART NO.</u>	<u>PART NAME</u>	<u>QTY.</u>	<u>REMARKS</u>
3	13310Z0DV70	CRANK SHAFT COMP	1.....	INCLUDES ITEM W/@
6@	91001Z0DV01	BEARING, RADIAL BALL	2	

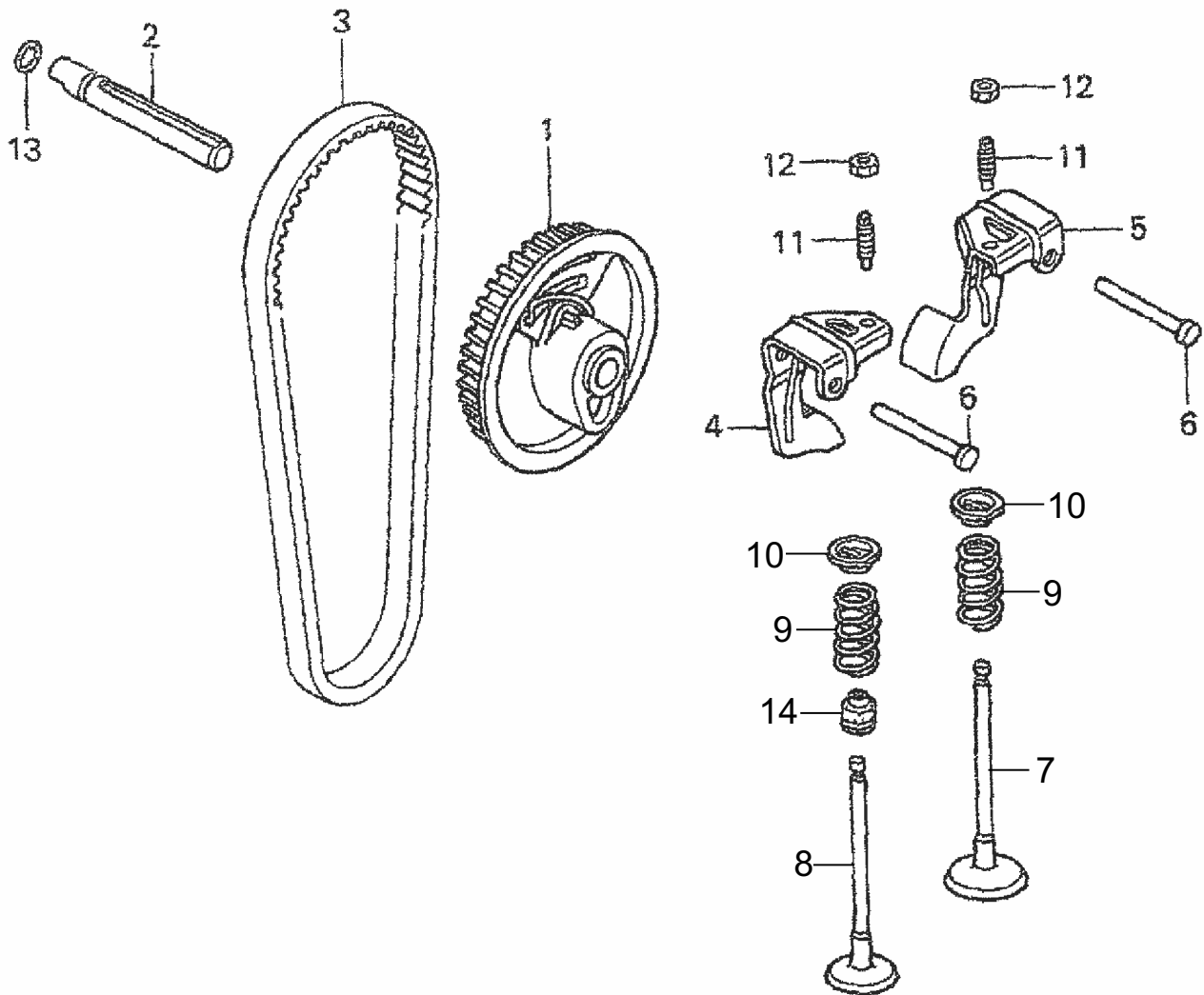
HONDA GX100RTKRB ENGINE — PISTON/ CONN. ASSY.



HONDA GX100RTKRBF ENGINE — PISTON/ CONN. ASSY.

<u>NO.</u>	<u>PART NO.</u>	<u>PART NAME</u>	<u>QTY.</u>	<u>REMARKS</u>
1	13010Z0D003	RING SET, PISTON	1	
2	13101Z0D000	PISTON	1	
3	13111ZE0000	PISTON PIN	1	
4	13200Z0D000	CONNECTING ROD ASSY.	1.....	INCLUDES ITEM W/@
5@	90001ZM7000	CONNECTING ROD BOLT	2	
6	90551ZE0000	CLIP, PISTON PIN 13MM	2	

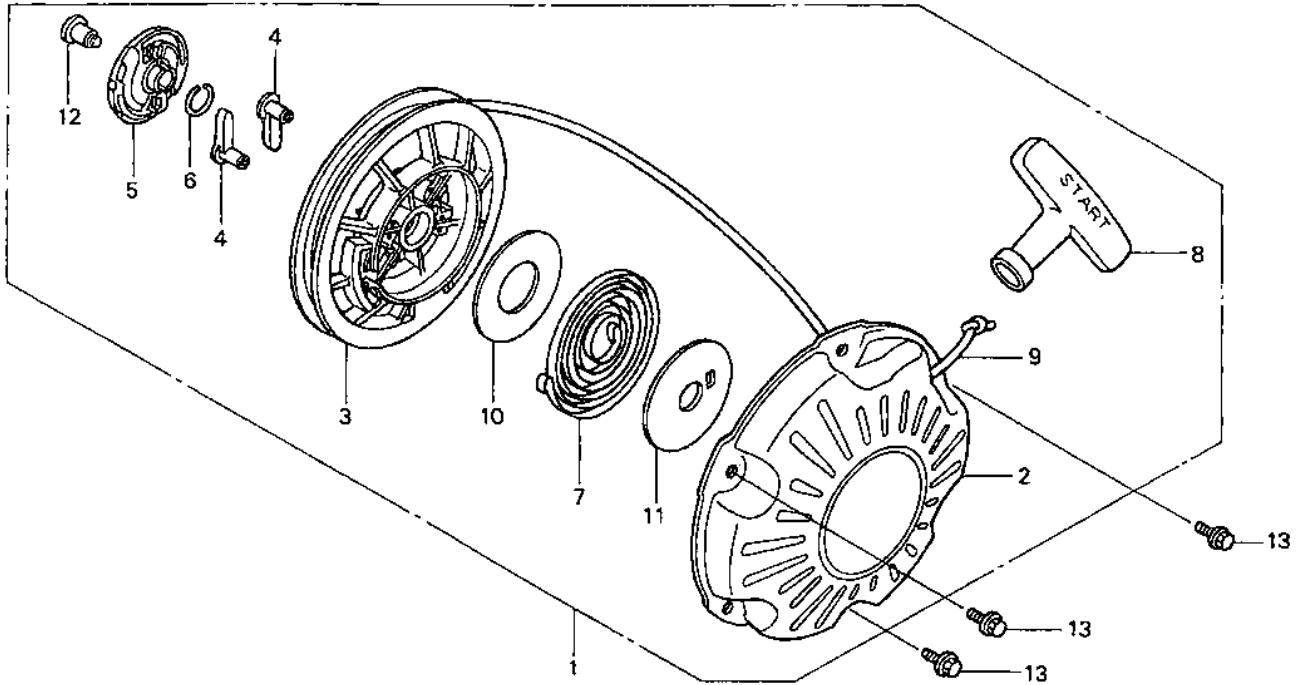
HONDA GX100RTKRBF ENGINE — CAMSHAFT ASSY.



HONDA GX100RTKRBF ENGINE — CAMSHAFT ASSY.

<u>NO.</u>	<u>PART NO.</u>	<u>PART NAME</u>	<u>QTY.</u>	<u>REMARKS</u>
1	14320ZDD000	PULLEY, COMP., CAMSHAFT	1	
2	14324Z0D000	SHAFT, CAM PULLEY	1	
3	14400Z0D003	TIMING BELT (61YU7 G-200)	1	
4	14431ZDD000	ROCKER ARM, INTAKE VALVE	1	
5	14441ZDD000	ROCKER ARM, EXHAUST VALVE	1	
6	14461ZL8000	SHAFT, ROCKER ARM	2	
7	14711Z0D000	INLET VALVE	1	
8	14721Z0D000	EXHAUST VALVE	1	
9	14751Z0D000	SPRING, VALVE	2	
10	14771ZM3010	RETAINER, VALVE SPRING	2	
11	90012333000	SCREW, TAPPET ADJUSTING	2	
12	90206001000	NUT, TAPPET ADJUSTING	2	
13	91301ZM0V31	O-RING 6.8X1.9	1	
14	12209KT7013	SEAL, VALVE STEM	1	

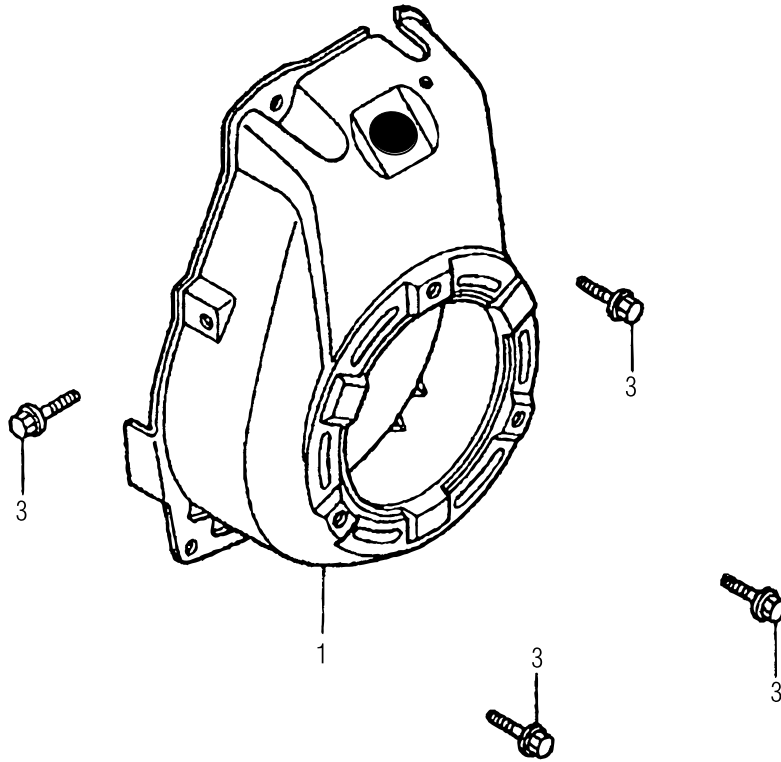
HONDA GX100RTKRBF ENGINE — RECOIL STARTER ASSY.



HONDA GX100RTKRBF ENGINE — RECOIL STARTER ASSY.

<u>NO.</u>	<u>PART NO.</u>	<u>PART NAME</u>	<u>QTY.</u>	<u>REMARKS</u>
1	28400Z0DV04ZA	RECOIL STARTER ASSY	1.....	INCLUDES ITEMS W/@
2@	28410Z0DV02ZA	CASE COMP, RECOIL @5-3-5	1	
3@	28421Z0DV02	REEL, RECOIL STARTER	1	
4@	28422ZG0W02	RATCHET, STARTER	2	
5@	28433ZG0W02	GUIDE, RATCHET	1	
6@	28441ZW6003	SPRING, FRICTION	1	
7@	28442ZH8003	SPRING, RECOIL STARTER	1	
8@	28461ZH8013	STARTER KNOB	1	
9@	28462Z0DV03	ROPE, RECOIL STARTER	1	
10@	28467Z0DV02	PLATE, SIDE	1	
11@	28468Z0DV02	PLATE, SLIDE	1	
12@	90003ZH8003	SET SCREW	1	
13	957010600800	BOLT, FLANGE 6X8	3	

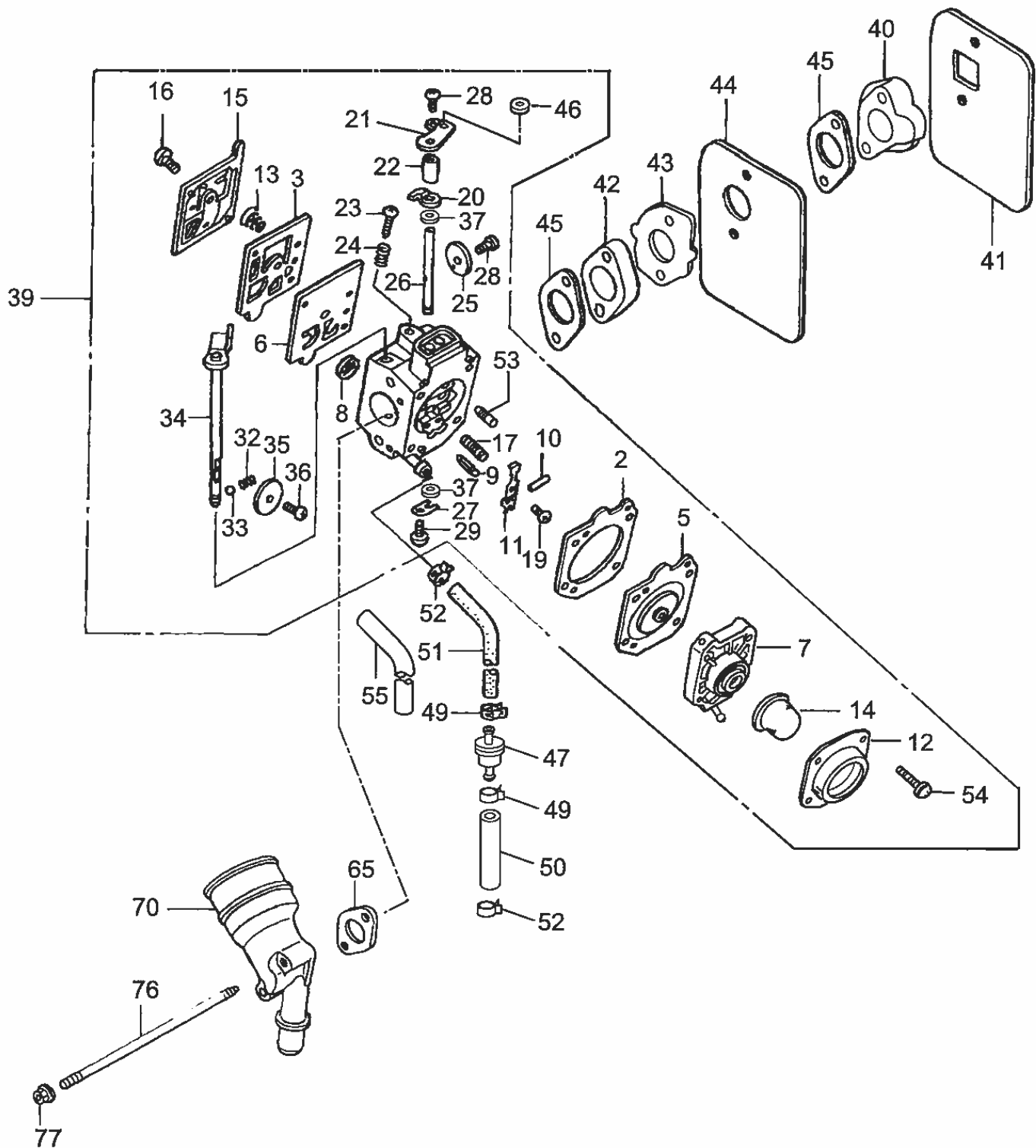
HONDA GX100RTKRB ENGINE — FAN COVER ASSY.



HONDA GX100RTKRBF ENGINE — FAN COVER ASSY.

<u>NO.</u>	<u>PART NO.</u>	<u>PART NAME</u>	<u>QTY.</u>	<u>REMARKS</u>
1	19610Z4ES30ZA	FAN COVER CP	1	
3	90014952000	BOLT, FLANGE 6X14 (CT200)	4	

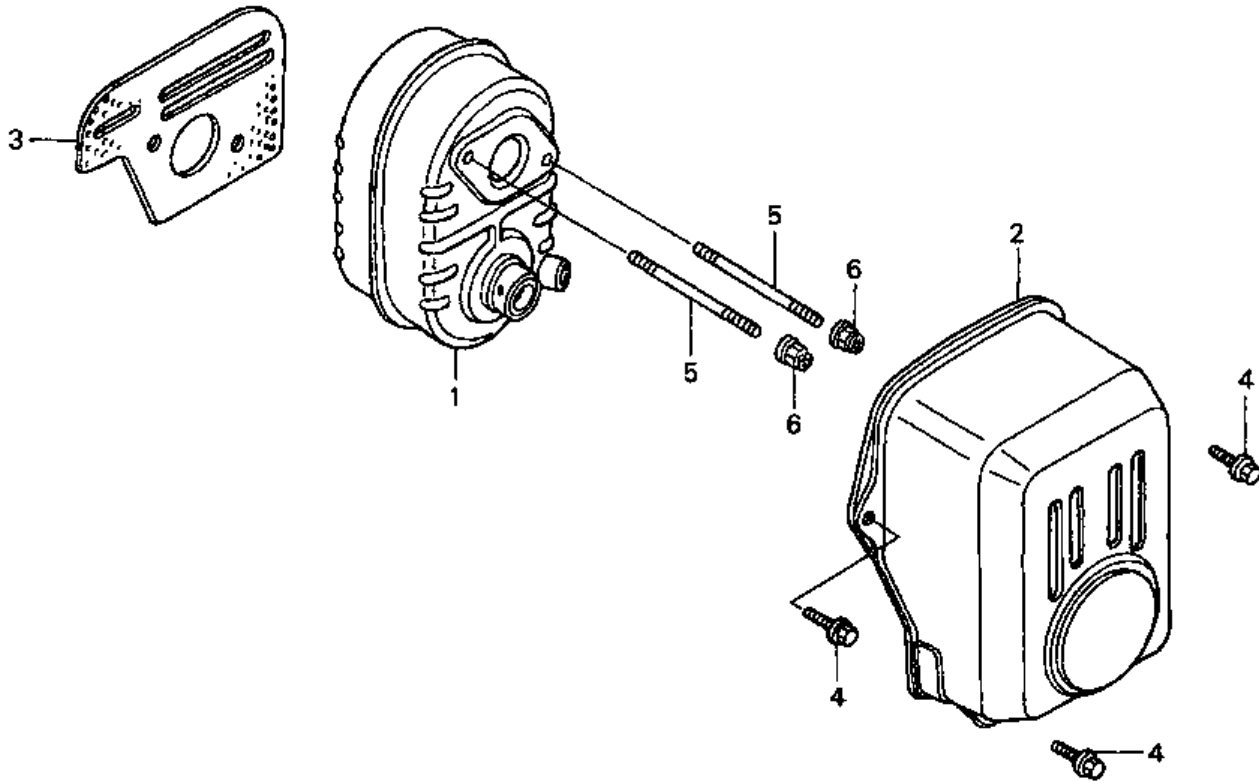
HONDA GX100RTKRB ENGINE — CARBURETOR ASSY.



HONDA GX100RTKRB ENGINE — CARBURETOR ASSY.

NO.	PART NO.	PART NAME	QTY.	REMARKS
2@	16010Z0DV02	GASKET, METERING DIAPHRAGM	1	
3@	16011Z0DV02	GASKET, PUMP	1	
5@	16013Z4ES44	DIAPHRAGM ASSY., METERING	1	
6@	16014Z0DV02	DIAPHRAGM, PUMP	1	
7@	16017Z4ES32	BODY ASSY., AIR PURGE	1	
8@	16018ZM3004	SCREEN, INLET	1	
9@	16019ZM3004	VALVE, INLET NEEDLE	1	
10@	16022ZM3014	PIN, METERING LEVER	1	
11@	16023Z0DV02	LEVER, METERING	1	
12@	16026Z4ES32	COVER, PRIMER PUMP	1	
13	16030ZM3004	SPRING, PUMP	1	
14@	16032Z4ES32	PUMP, PRIMER	1	
15@	16040Z4E802	COVER, PUMP	1	
16@	16041Z0DV02	SCREW	1	
17@	16042Z0DV02	SPRING	1	
19@	16044Z4E802	SCREW	1	
20@	16045Z0DV02	STOP, THROTTLE	1	
21@	16046Z0DV73	LEVER, THROTTLE	1	
22@	16048Z0DV02	SPACER, THROTTLE LEVER	1	
23@	16049Z4ES12	SCREW, IDLE ADJUSTING	1	
24@	16050Z0DV02	SPRING	1	
25@	16051Z0DV02	VALVE, THROTTLE	1	
26@	16052Z0DV02	SHAFT, THROTTLE	1	
27@	16053Z0DV02	CLIP, THROTTLE SHAFT	1	
28@	16054Z0DV02	SCREW, VALVE	2	
29@	16055Z0DV02	SCREW ASSY.	1	
32@	16056Z0DV02	SPRING	1	
33@	16057Z0DV02	BALL	1	
34@	16058Z0DV02	SHAFT, ASSY., CHOKE	1	
35@	16059Z0DV03	VALVE, CHOKE	1	
36@	16060Z0DV02	SCREW	1	
37@	16061Z0DV02	SEAL, DUST	2	
39	16100Z4ES46	CARBURETOR ASSY. (W/PRIMER)	1	INCLUDES ITEMS W/@
40	16211Z0DV01	INSULATOR, CARBURETOR	1	
41	16212Z0DV00	PACKING, INSULATOR	1	
42	16213Z4ES10	INSULATOR B, CARBURETOR	1	
43	16214Z0DV01	PACKING B, INSULATOR	1	
44	16215Z0DV00	PLATE, INSULATOR	1	
45	16221Z0DV00	PACKING, CARBURETOR	2	
46@	16552896650	COLLAR, LEVER	1	
47	16910Z4ES21	STRAINER, FUEL	1	
49	90602Z4E003	CLAMP, TUBE	2	
50	91434Z4E812	HOSE, FUEL 4.5X80M	1	
51	91434Z4E902	HOSE, FUEL 4.5X330M	1	
52	950024085008	CLAMP, TUBE	2	
53@	99101Z0D0500	JET (#50)	1	5000-7000
54@	16055Z4ES32	SCREW ASSY.	4	
55	950033602620	TUBE, VINYL 11X13X1M	1	
65	17228Z0DV01	PACKING, AIR CLEANER	1	
70	17410Z4ES31	ELBOW, AIR CLEANER	1	
76	90042Z4ES30	BOLT, STUD 5X95	2	
77	9405005000	FLANGE NUT 5MM	2	

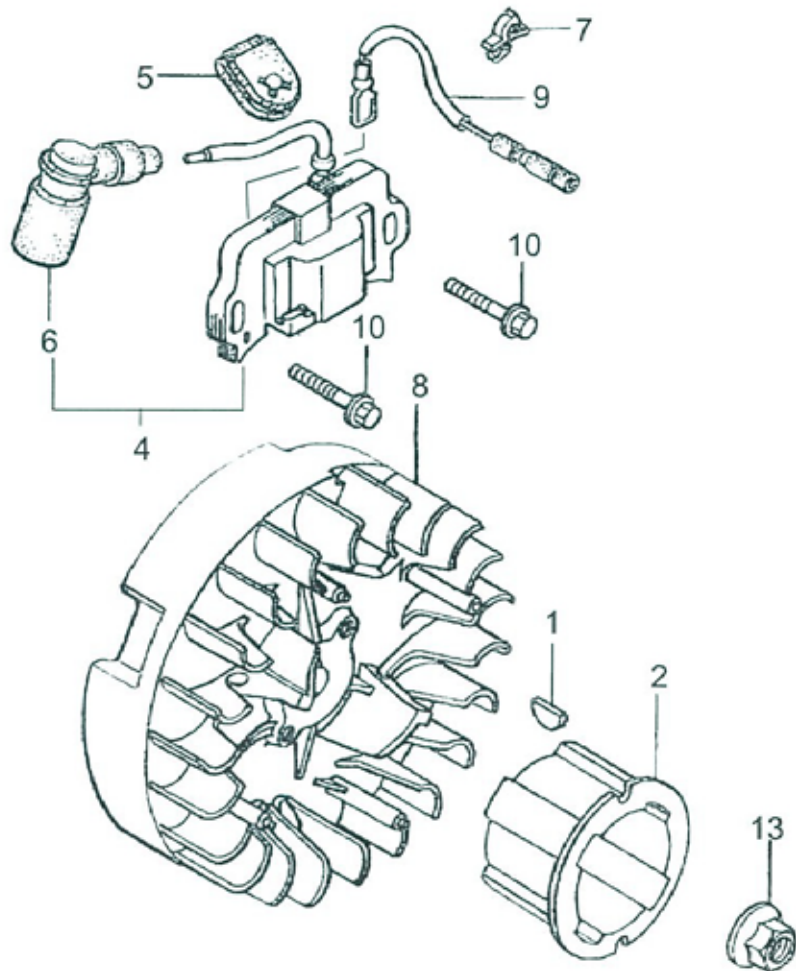
HONDA GX100RTKRBF ENGINE — MUFFLER ASSY.



HONDA GX100RTKRB ENGINE — MUFFLER ASSY.

<u>NO.</u>	<u>PART NO.</u>	<u>PART NAME</u>	<u>QTY.</u>	<u>REMARKS</u>
1	18310Z0DV20	MUFFLER COMP.	1	
2	18321Z0DV22	MUFFLER PROTECTOR	1	
3	18381Z0D000	GASKET, MUFFLER	1	
4	90014952000	BOLT, FLANGE 6X14 (CT200)	3	
5	90048Z0DV00	STUD BOLT 6X78	2	
6	90343ZE6000	NUT, SELF-LOCK 6MM	2	

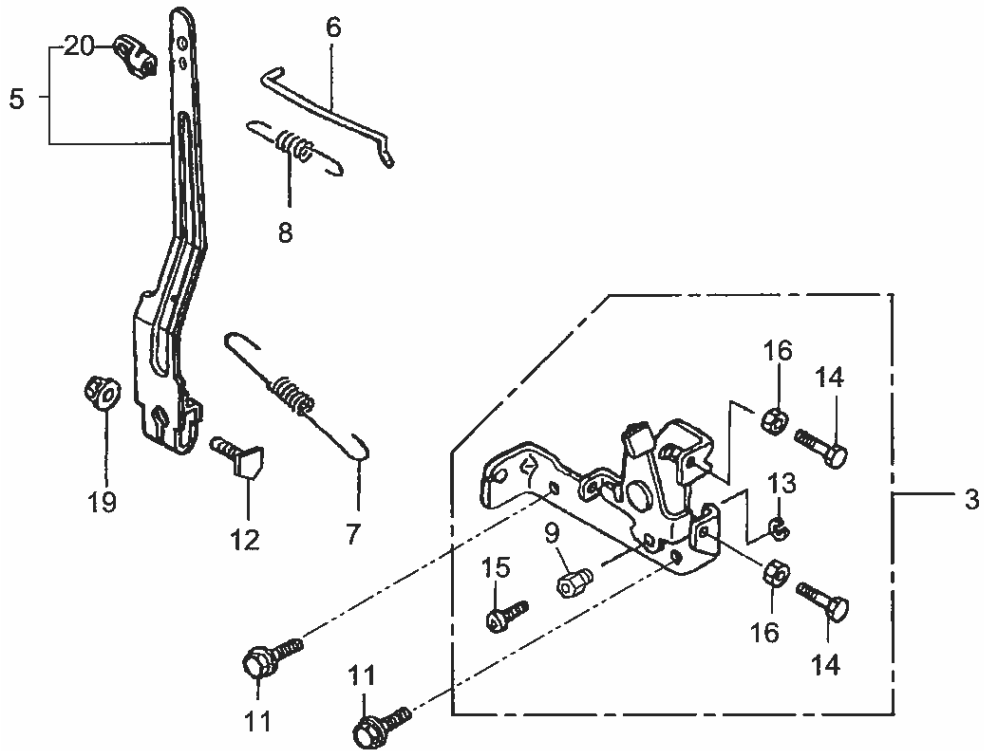
HONDA GX100RTKRBF ENGINE — FLYWHEEL IGNITION ASSY.



HONDA GX100RTKRB ENGINE — FLYWHEEL IGNITION ASSY.

<u>NO.</u>	<u>PART NO.</u>	<u>PART NAME</u>	<u>QTY.</u>	<u>REMARKS</u>
1	13331ZM7000	WOODRUFF KEY 25X18	1	
2	28451Z0DV03	STARTER PULLEY	1	
4	30500Z0DV02	IGNITION COIL ASSY	1.....	INCLUDES ITEMS W/@
5	30564ZA5000	GROMMET, CORD	1	
6@	30700Z0DV01	TERMINAL ASSY	1	
7	30701883000	CLIP, HIGH TENSION CORD	1	
8	131110Z0D003	FLYWHEEL COMP	1	
9	32195Z0D000	CORD, STOP SWITCH	1	
10	90022888010	FLANGE BOLT 6X20	2	
13	9405012000	FLANGE NUT M12	1	

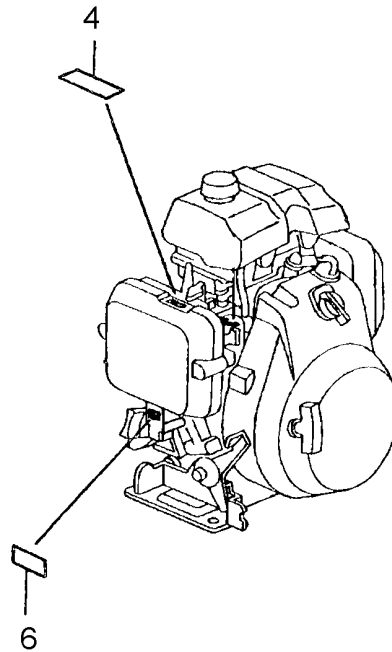
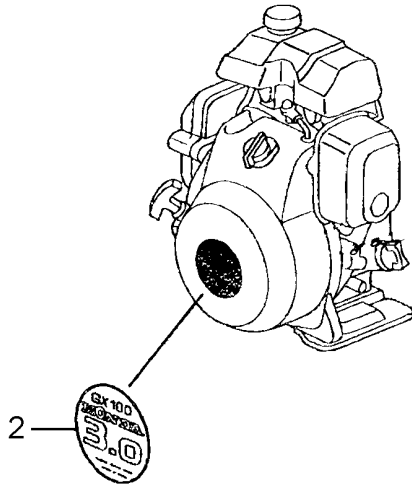
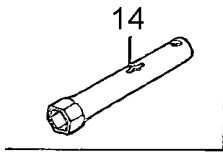
HONDA GX100RTKRBF ENGINE — CONTROL ASSY.



HONDA GX100RTKRB ENGINE — CONTROL ASSY.

<u>NO.</u>	<u>PART NO.</u>	<u>PART NAME</u>	<u>QTY.</u>	<u>REMARKS</u>
3	16500Z4ES30	CONTROL ASSY	1.....	INCLUDES ITEMS W/@
5	16550Z0DV01	GOVERNOR ARM, COMPLETE	1	
6	16555Z0DV00	GOVERNOR ROD	1	
7	16561Z0DV00	GOVERNOR SPRING	1	
8	16562Z4ES10	SPRING, THROTTLE RETURN	1	
9@	16594883010	HOLDER, WIRE	1	
11	90014952000	BOLT, FLANGE 6X14 (CT200)	2	
12	90015Z5T000	BOLT, GOVERNOR ARM	1	
13@	90605230000	CIR CLIP	1	
14@	92301050220A	BOLT 5X20	1	
15@	0043504060	SCREW 4X6	1	
16@	9400105000	NUT M5	2	
19	9405006000	FLANGE NUT 6MM	1	
20	16263883W10	JOINT, ROD	1	

HONDA GX100RTKRBF ENGINE — LABELS ASSY.



HONDA GX100RTKRBF ENGINE — LABELS ASSY.

<u>NO.</u>	<u>PART NO.</u>	<u>PART NAME</u>	<u>QTY.</u>	<u>REMARKS</u>
2	87521ZDDP10	LABEL, TRADE MARK	1	
4	87528Z0D000	MARK, CHOKE	1	
6	87601Z4ES30	MARK, TYPE (KRBF)	1	
14	89216130690	WRENCH, SPARK PLUG	1	

PARTS MANUAL

HERE'S HOW TO GET HELP

PLEASE HAVE THE MODEL AND SERIAL
NUMBER ON-HAND WHEN CALLING

UNITED STATES

Multiquip Inc.

(310) 537- 3700
6141 Katella Avenue Suite 200
Cypress, CA 90630
E-MAIL: mq@multiquip.com
WEBSITE: www.multiquip.com

CANADA

Multiquip

(450) 625-2244
4110 Industriel Boul.
Laval, Quebec, Canada H7L 6V3
E-MAIL: infocanada@multiquip.com

UNITED KINGDOM

Multiquip (UK) Limited Head Office

0161 339 2223
Unit 2, Northpoint Industrial Estate,
Globe Lane,
Dukinfield, Cheshire SK16 4UJ
E-MAIL: sales@multiquip.co.uk

© COPYRIGHT 2022, MULTIQUIP INC.

Multiquip Inc, the MQ logo are registered trademarks of Multiquip Inc. and may not be used, reproduced, or altered without written permission. All other trademarks are the property of their respective owners and used with permission.

This manual MUST accompany the equipment at all times. This manual is considered a permanent part of the equipment and should remain with the unit if resold.

The information and specifications included in this publication were in effect at the time of approval for printing. Illustrations, descriptions, references and technical data contained in this manual are for guidance only and may not be considered as binding. Multiquip Inc. reserves the right to discontinue or change specifications, design or the information published in this publication at any time without notice and without incurring any obligations.

