

PARTS MANUAL



Mikasa **SERIES**
MODEL MVC64VH/VHW
ONE-WAY PLATE COMPACTOR
(HONDA GX120U1SM12 GASOLINE ENGINE)

Revision #4 (06/08/20)

To find the latest revision of this publication or associated operation manual, visit our website at: www.multiquip.com



THIS MANUAL MUST ACCOMPANY THE EQUIPMENT AT ALL TIMES.

TABLE OF CONTENTS

MVC64VH/VHW

Plate Compactor

Explanation Of Code In Remarks Column.....	4
Suggested Spare Parts	5

Compactor Component Drawings

Nameplates And Decals	6-7
Body Assembly	8-9
Vibrator Assembly	10-11
Water Tank Assembly (MVC64VHW Only)	12-13

HONDA GX120U1SM12 Engine

Cylinder Head Assembly	14-15
Cylinder Barrel Assembly	16-17
Crankcase Cover Assembly	18-19
Crankshaft Assembly.....	20-21
Piston Assembly	22-23
Camshaft Assembly.....	24-25
Recoil Starter Assembly	26-27
Fan Cover Assembly.....	28-29
Carburetor Assembly	30-31
Air Cleaner Assembly.....	32-33
Muffler Assembly	34-35
Fuel Tank Assembly.....	36-37
Flywheel Assembly	38-39
Ignition Coil Assembly.....	40-41
Control Assembly	42-43
Decals Assembly	44-45

NOTICE

Specifications and part numbers are subject to change without notice.

EXPLANATION OF CODE IN REMARKS COLUMN

The following section explains the different symbols and remarks used in the Parts section of this manual. Use the help numbers found on the back page of the manual if there are any questions.

NOTICE

The contents and part numbers listed in the parts section are subject to change **without notice**. Multiquip does not guarantee the availability of the parts listed.

SAMPLE PARTS LIST

NO.	PART NO.	PART NAME	QTY.	REMARKS
1	12345	BOLT	1	INCLUDES ITEMS W/%
2%		WASHER, 1/4 IN.		NOT SOLD SEPARATELY
2%	12347	WASHER, 3/8 IN. ...	1	MQ-45T ONLY
3	12348	HOSE	A/R	MAKE LOCALLY
4	12349	BEARING	1	S/N 2345B AND ABOVE

NO. Column

Unique Symbols — All items with same unique symbol (@, #, +, %, or >) in the number column belong to the same assembly or kit, which is indicated by a note in the “Remarks” column.

Duplicate Item Numbers — Duplicate numbers indicate multiple part numbers, which are in effect for the same general item, such as different size saw blade guards in use or a part that has been updated on newer versions of the same machine.

NOTICE

When ordering a part that has more than one item number listed, check the remarks column for help in determining the proper part to order.

PART NO. Column

Numbers Used — Part numbers can be indicated by a number, a blank entry, or TBD.

TBD (To Be Determined) is generally used to show a part that has not been assigned a formal part number at the time of publication.

A blank entry generally indicates that the item is not sold separately or is not sold by Multiquip. Other entries will be clarified in the “Remarks” Column.

QTY. Column

Numbers Used — Item quantity can be indicated by a number, a blank entry, or A/R.

A/R (As Required) is generally used for hoses or other parts that are sold in bulk and cut to length.

A blank entry generally indicates that the item is not sold separately. Other entries will be clarified in the “Remarks” Column.

REMARKS Column

Some of the most common notes found in the “Remarks” Column are listed below. Other additional notes needed to describe the item can also be shown.

Assembly/Kit — All items on the parts list with the same unique symbol will be included when this item is purchased.

Indicated by:

“INCLUDES ITEMS W/(unique symbol)”

Serial Number Break — Used to list an effective serial number range where a particular part is used.

Indicated by:

“S/N XXXXX AND BELOW”

“S/N XXXX AND ABOVE”

“S/N XXXX TO S/N XXX”

Specific Model Number Use — Indicates that the part is used only with the specific model number or model number variant listed. It can also be used to show a part is NOT used on a specific model or model number variant.

Indicated by:

“XXXXX ONLY”

“NOT USED ON XXXX”

“Make/Obtain Locally” — Indicates that the part can be purchased at any hardware shop or made out of available items. Examples include battery cables, shims, and certain washers and nuts.

“Not Sold Separately” — Indicates that an item cannot be purchased as a separate item and is either part of an assembly/kit that can be purchased, or is not available for sale through Multiquip.

SUGGESTED SPARE PARTS

MVC64VH/VHW PLATE COMPACTOR 1 to 5 units

Qty.	P/N	Description
3070100312.....	V-BELT
4939010250.....	SHOCK ABSORBER

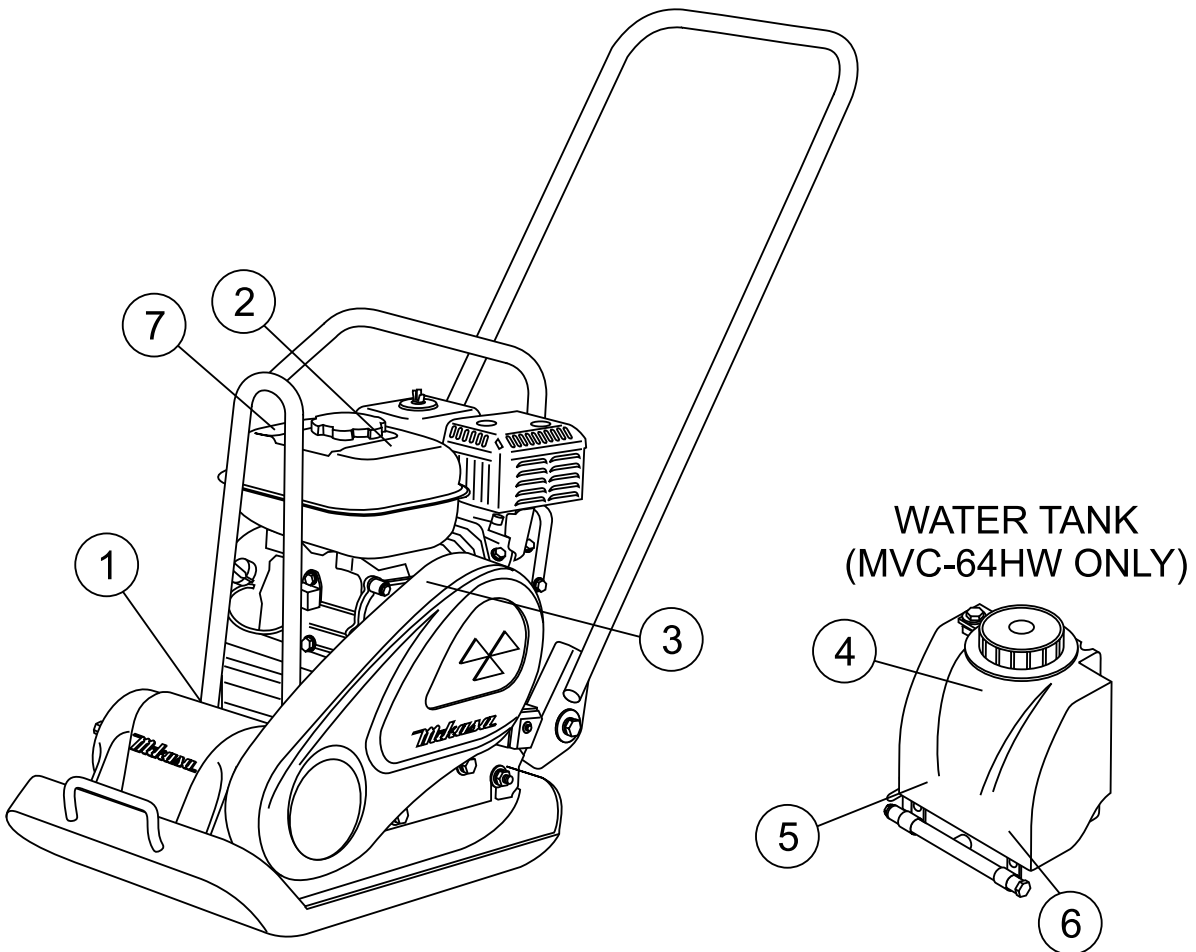
HONDA GX120U1SM12 ENGINE 1 to 5 units

Qty.	P/N	Description
39807956846.....	SPARK PLUG
128462ZH8003.....	ROPE, RECOIL STARTER
317210ZE0822.....	ELEMENT, AIR CLEANER
117620ZH7023.....	CAP, FUEL TANK
117672ZE2W01.....	FUEL FILTER, FUEL TANK

NOTICE

Part numbers on this Suggested Spare Parts list may supersede/replace the part numbers shown in the following parts lists.

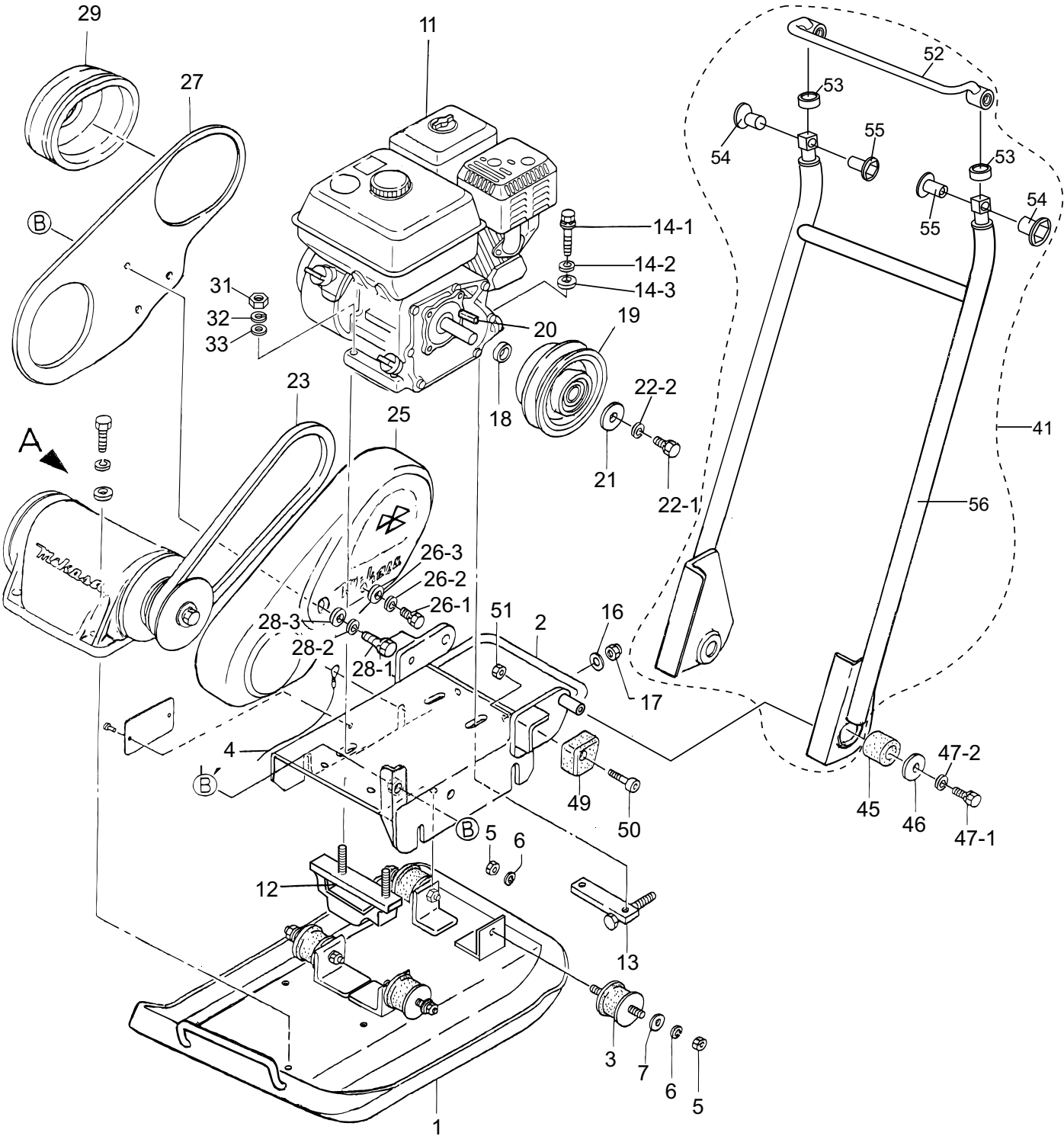
NAMEPLATES AND DECALS



NAMEPLATES AND DECALS

<u>NO.</u>	<u>PART NO.</u>	<u>PART NAME</u>	<u>QTY.</u>	<u>REMARKS</u>
1		PLATE, MODEL/SERIAL NUMBER.....	1.....	CONTACT PARTS DEPT.
2	920203290	DECAL, READ OWNERS MANUAL.....	1.....	NPA-329
3	920203989	DECAL, BELT GUARD WARNING	1.....	NPA-989
4	920101410	DECAL: MIKASA MARK 120X60.....	1.....	WATER TANK
5	920201580	DECAL: MQ MARK 71X55.....	1.....	MQ/WATER TANK
6	920105070	DECAL: MIKASA MARK 125MM	1.....	WATER TANK
7	920212320	DECAL: CAUTION REFUELING.....	1.....	NPA-1232

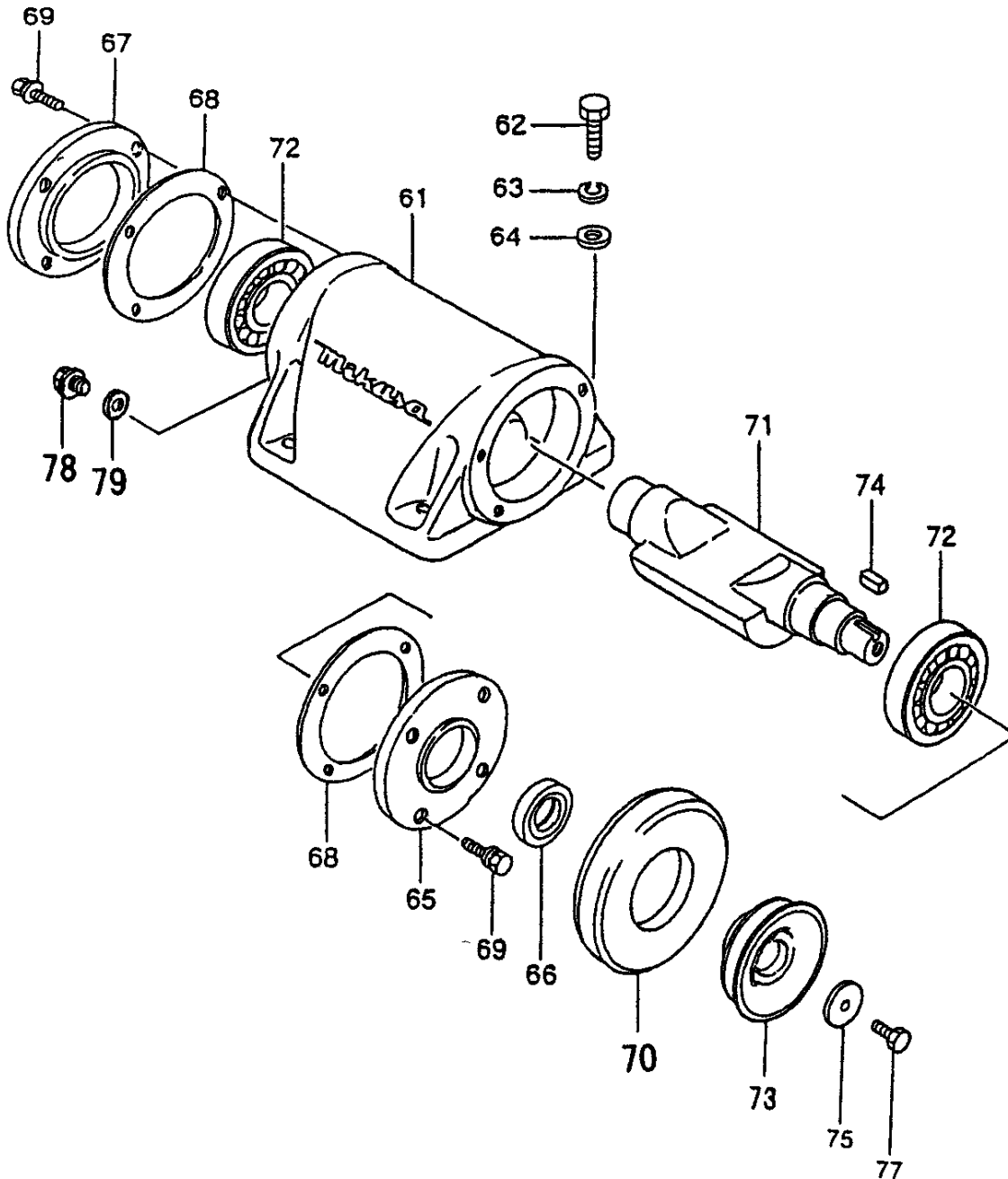
BODY ASSY.



BODY ASSY.

<u>NO.</u>	<u>PART NO.</u>	<u>PART NAME</u>	<u>QTY.</u>	<u>REMARKS</u>
1	418118540	VIBRATORY PLATE (570 X 350)	1	
2	418216890	BASE	1	
3	939010254	SHOCK ABSORBER D45-H41	4	
4	959404350	EARTH WIRE	1	
5	020310080	NUT M10	8	
6	030210250	WASHER, LOCK M10	8	
7	031110160	WASHER, FLAT M10	4	
11	912212009	ENGINE, HONDA GX120U1SM12	1	
12	418457690	BOLT, ENGINE	1	
13	413436870	ENGINE NUT, REAR	1	
14-1	001220840	BOLT 8X40T	2	
14-2	030208200	WASHER, LOCK M8	2	
14-3	031108160	WASHER, FLAT M8	2	
16	031108160	WASHER, FLAT M8	1	
17	022710809	NYLON NUT M8	1	
18	404418150	SPACER 18X25X8 CLUTCH	1	
19	460446780	CLUTCH ASSY.	1	
20	0320050150	KEY	1	
21	952400130	WASHER 9304	1	
22-1	001220825	BOLT 8X25 H, SW	1	
22-2	030208200	WASHER, LOCK	1	
23	070100312	V-BELT RPF-3310	1	
25	418216470	BELT COVER	1	
26-1	001221035	BOLT 10X35 H, SW, PW	1	
26-2	030210250	WASHER, LOCK	1	
26-3	031110160	WASHER, FLAT	1	
27	418216480	BELT COVER, IN.	1	
28-1	001221053	BOLT 10X65 SW, PW	1	
28-2	030210250	WASHER, LOCK	1	
28-3	031110160	WASHER, FLAT	1	
29	418343420	COVER SEAL, E/G	1	
31	020308060	NUT M8	2	
32	030208200	WASHER, LOCK	2	
33	031108160	WASHER, FLAT	2	
41	418910070	VIB. PROOF HANDLE ASSY	1.....	INCLUDES ITEMS W/ #
45	404433430	RUBBER 20X32X28.5/52H	2	
46	952403450	WASHER 11X35X4.5	2	
47-1	001221020	BOLT 10X55 H,SW	2	
47-2	030210250	WASHER, LOCK	2	
49	413436720	RUBBER, HANDLE	2	
50	001520845	SOCKET HEAD BOLT 8X45 T	2	
51	020308060	NUT M8	2	
52#	418217060	GRIP, HANDLE	1	
53#	416459340	RUBBER, VIB. PROOF HANDLE	2	
54#	009120407	BOLT, SUNK HEAD 10X20 T	2	
55#	416459320	NUT, VIB. PROOF HANDLE	2	
56#	418217050	VIB. PROOF HANDLE	1	

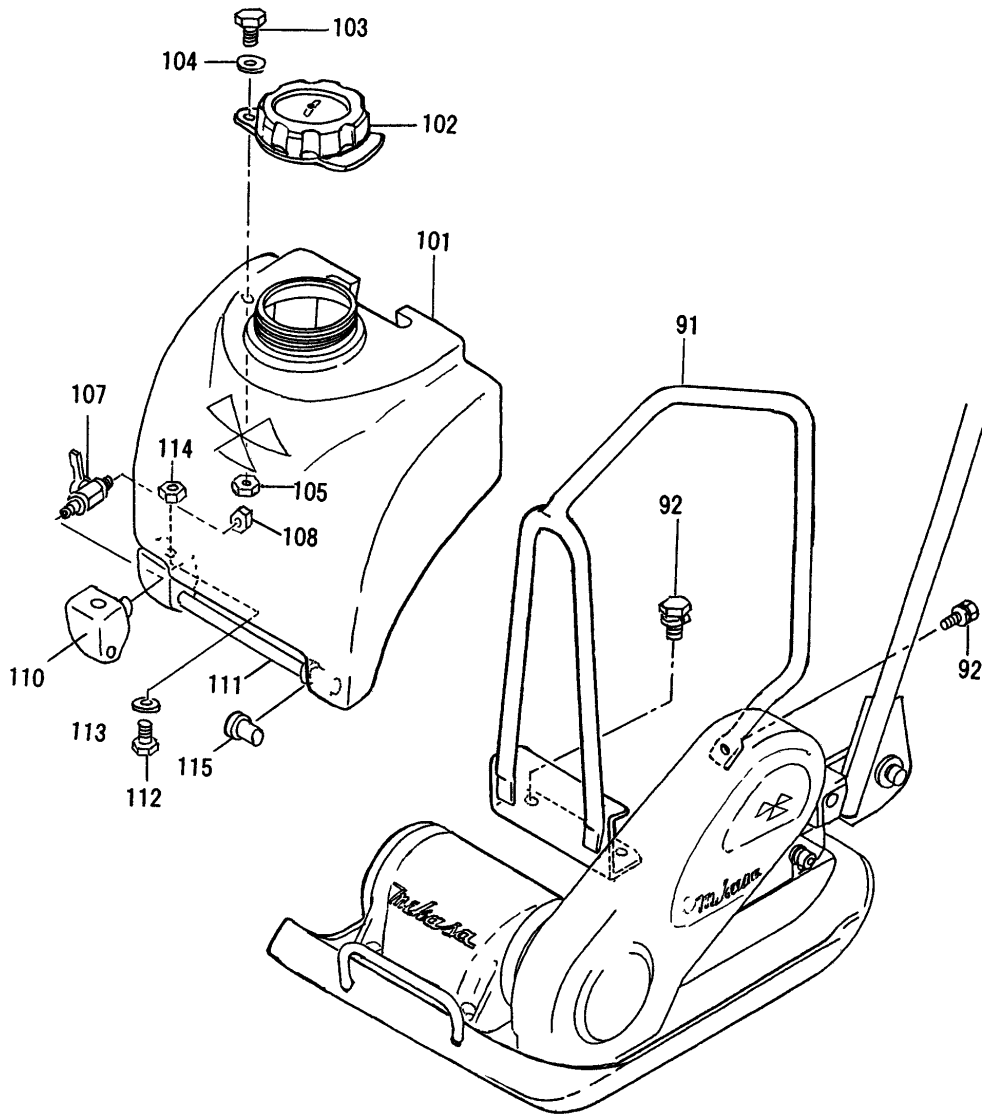
VIBRATOR ASSY.



VIBRATOR ASSY.

<u>NO.</u>	<u>PART NO.</u>	<u>PART NAME</u>	<u>QTY.</u>	<u>REMARKS</u>
61	418117730	VIBRATING CASE	1	
62	001221445	BOLT 14X45 T	4	
63	030214350	WASHER, LOCK M14	4	
64	031114260	WASHER, FLAT M14	4	
65	418456950	CASE COVER/PULLEY	1	
66	060403020	OIL SEAL TC-30458	1	
67	418456960	CASE COVER/SHUT-OFF	1	
68	418456970	PACKING	2	
69	002400820	BOLT 8X20 SW, PW	8	
70	418456990	COVER SEAL, VIB.	1	
71	418343400	ECC. ROTOR SHAFT	1	
72	040306307	BEARING 6307C3	2	
72	040406307	BEARING 6307C4	2	
73	418456980	PULLEY, VIB.	1	
74	951401920	KEY 7X7X30	1	
75	952403450	WASHER 11X35X4.5	1	
77	002211030	BOLT 10X30 H, SW	1	
78	953400270	PLUG 1/4X14 10L	1	
79	953405260	PACKING	1	

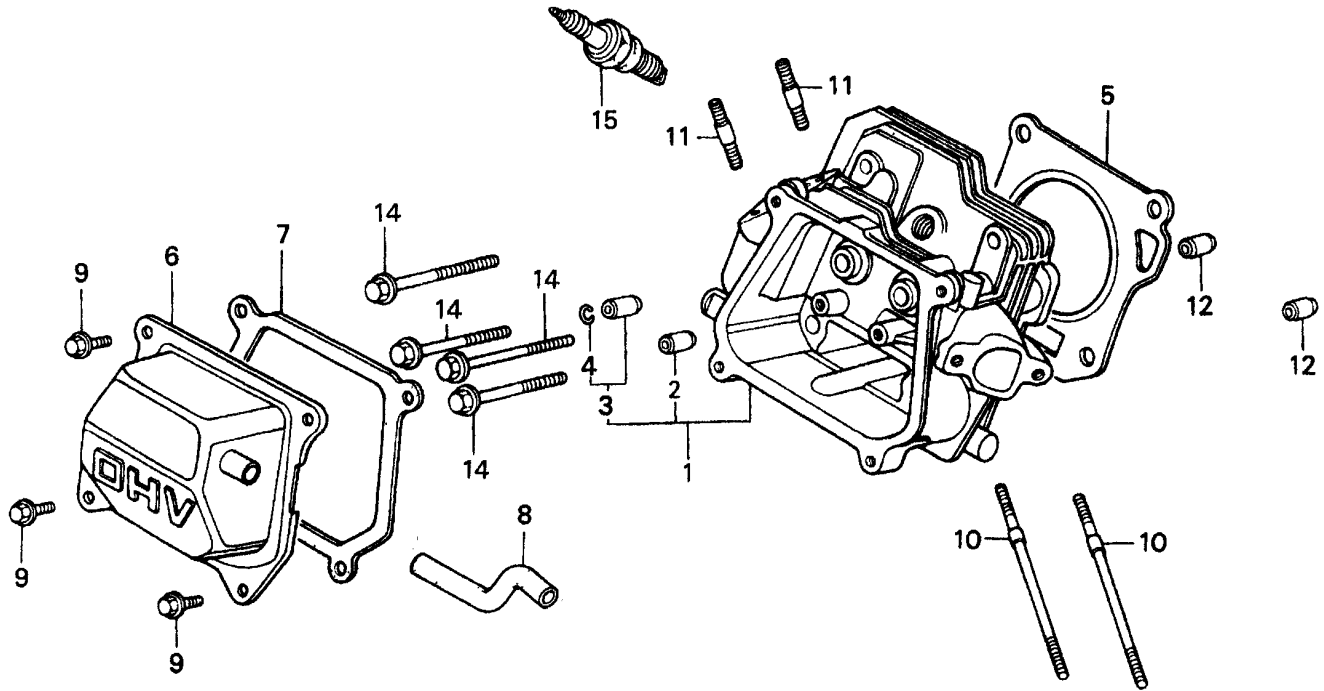
WATER TANK ASSY. (MVC64VHW ONLY)



WATER TANK ASSY. (MVC64VHW ONLY)

NO.	PART NO.	PART NAME	QTY.	REMARKS
91	418118580	HOOK	1.....	REPLACES 418216510
92	002211025	BOLT 10X25 H, SW	3	
101	418910020	WATER TANK, ORANGE	1.....	INCLUDES ITEM W/ *
101	418910030	WATER TANK, WHITE	1.....	INCLUDES ITEM W/ *
102*	954300342	CAP, WATER TANK	1	
103*	001241030	BOLT 10X30 U	1	
104*	033910010	WASHER 10.5X21X2 SUS.	2	
105*	022910180	NYLON NUT M10 SUS.	1	
107	954403241	COCK PT1/4, BH-1211 AL.	1	
108	959403790	NUT PS-1/4	1	
110	416338940	PIPE HOLDER, L	1	
111	418343430	SPRINKLING PIPE	1	
112	001220825	BOLT 8X25 T	1	
113	031108160	WASHER, FLAT M8	2	
114	020308060	NUT M8	1	
115	418457010	RUBBER CAP	1	

HONDA GX120U1SM12 ENGINE — CYLINDER HEAD ASSY.

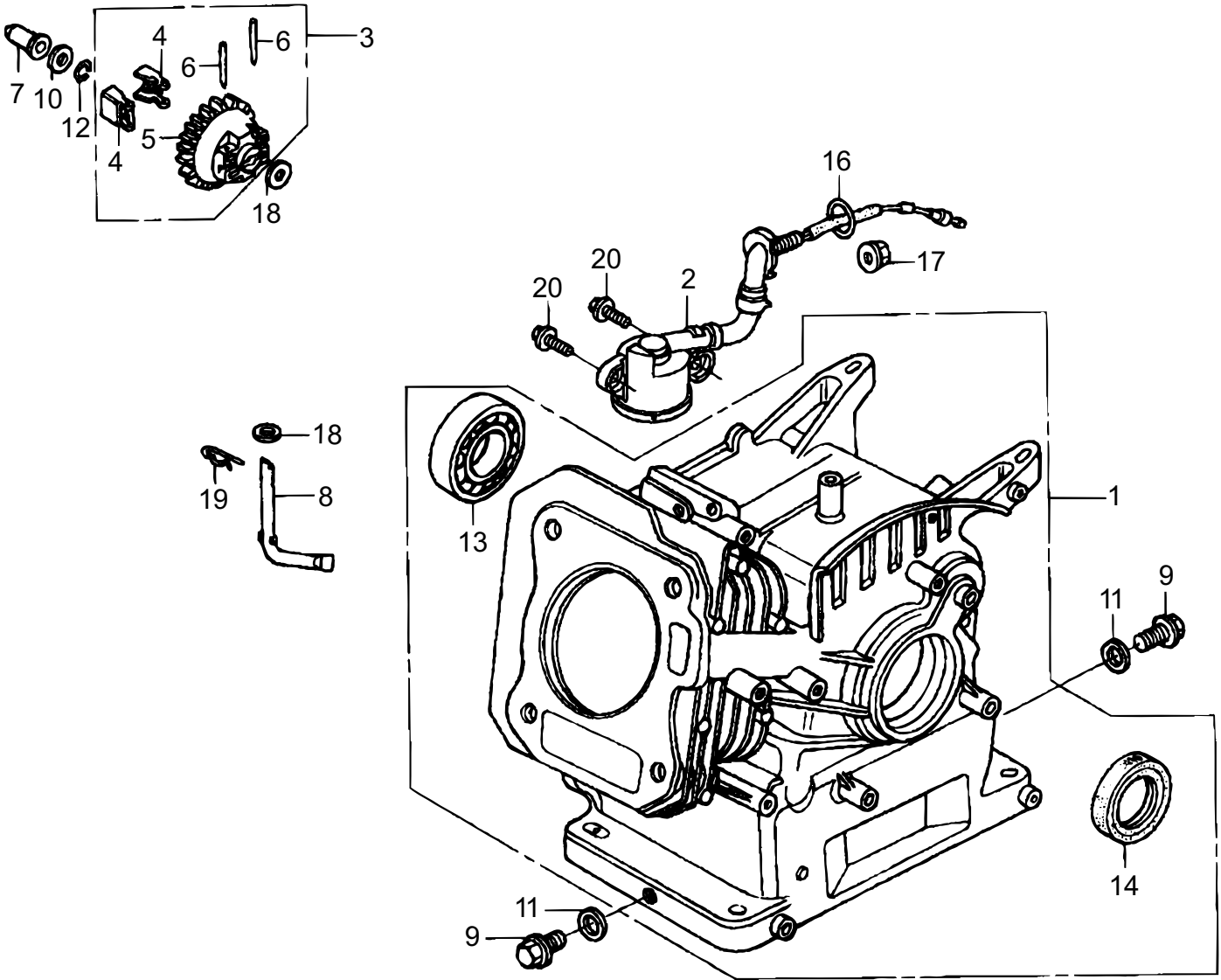


HONDA GX120U1SM12 ENGINE — CYLINDER HEAD ASSY.

CYLINDER HEAD ASSY.

<u>NO.</u>	<u>PART NO.</u>	<u>PART NAME</u>	<u>QTY.</u>	<u>REMARKS</u>
1	12210ZH7405	CYLINDER HEAD.....	1.....	INCLUDES ITEMS W/@
2@	12204ZE1306	GUIDE, VALVE (OS) OPTIONAL	1	
3@	12205ZE1315	GUIDE, EX. VALVE (OS) OPTIONAL	1.....	INCLUDES ITEMS W/+
4@+	12216ZE5300	CLIP, VALVE GUIDE	1	
5	12251ZH7800	GASKET, CYLINDER HEAD	1	
6	12310ZE1020	COVER, HEAD	1	
7	12391ZE1000	GASKET, CYLINDER HEAD COVER	1	
8	15721ZH8000	TUBE, BREATHER	1	
9	90013883000	BOLT, FLANGE 6X12 (CT200)	4	
10	90043ZE1020	BOLT, STUD 6X109	2	
11	90047ZE1000	BOLT, STUD 8X32	2	
12	9430110160	PIN, A, DOWEL 10X16	2	
14	957230805500	BOLT, FLANGE 8X55	4	
15	9807956846	SPARK PLUG BPR6ES (NGK)	1	

HONDA GX120U1SM12 ENGINE — CYLINDER BARREL ASSY.

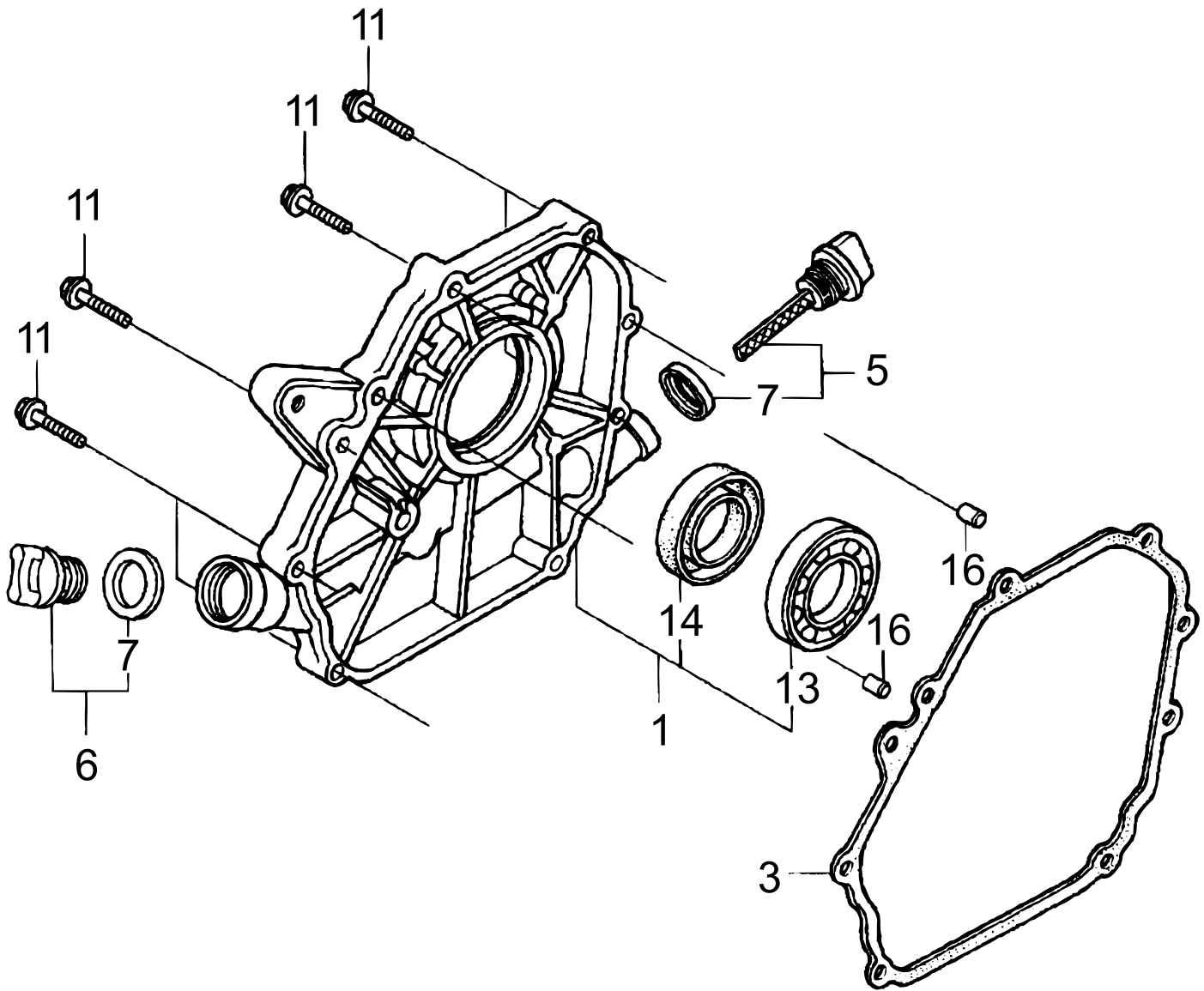


HONDA GX120U1SM12 ENGINE — CYLINDER BARREL ASSY.

CYLINDER BARREL ASSY.

<u>NO.</u>	<u>PART NO.</u>	<u>PART NAME</u>	<u>QTY.</u>	<u>REMARKS</u>
1	12000ZH7425	BARREL ASSY., CYLINDER	1.....	INCLUDES ITEMS W/@
2	15510ZE1033	SWITCH ASSY., OIL LEVEL	1	
3	16510ZE1000	GOVERNOR ASSY.....	1.....	INCLUDES ITEMS W/#
4#	16511ZE1000	WEIGHT, GOVERNOR	2	
5#	16512ZE1000	HOLDER, GOVERNOR WEIGHT	1	
6#	16513ZE1000	PIN, GOVERNOR WEIGHT	2	
7	16531ZE1000	SLIDER, GOVERNOR	1	
8	16541ZE1000	SHAFT, GOVERNOR ARM	1	
9	90131ZE1000	BOLT, DRAIN PLUG	2	
10	90451ZE1000	WASHER, THRUST 6mm	1	
11	90601ZE1000	WASHER, DRAIN PLUG 10.2mm	2	
12	90602ZE1000	CLIP, GOVERNOR HOLDER	1	
13@	91001878003	BEARING, RADIAL BALL 62/22	1	
14@	91202ZE6013	OIL SEAL 22X35X6	1	
16	91353671004	O- RING 14mm	1	
17	9405010000	NUT, FLANGE 10mm	1	
18	9410106800	WASHER, PLAIN 6mm	2	
19	9425108000	PIN, LOCK 8mm	1	
20	957010601200	BOLT, FLANGE 6X12	2	

HONDA GX120U1SM12 ENGINE — CRANKCASE COVER ASSY.

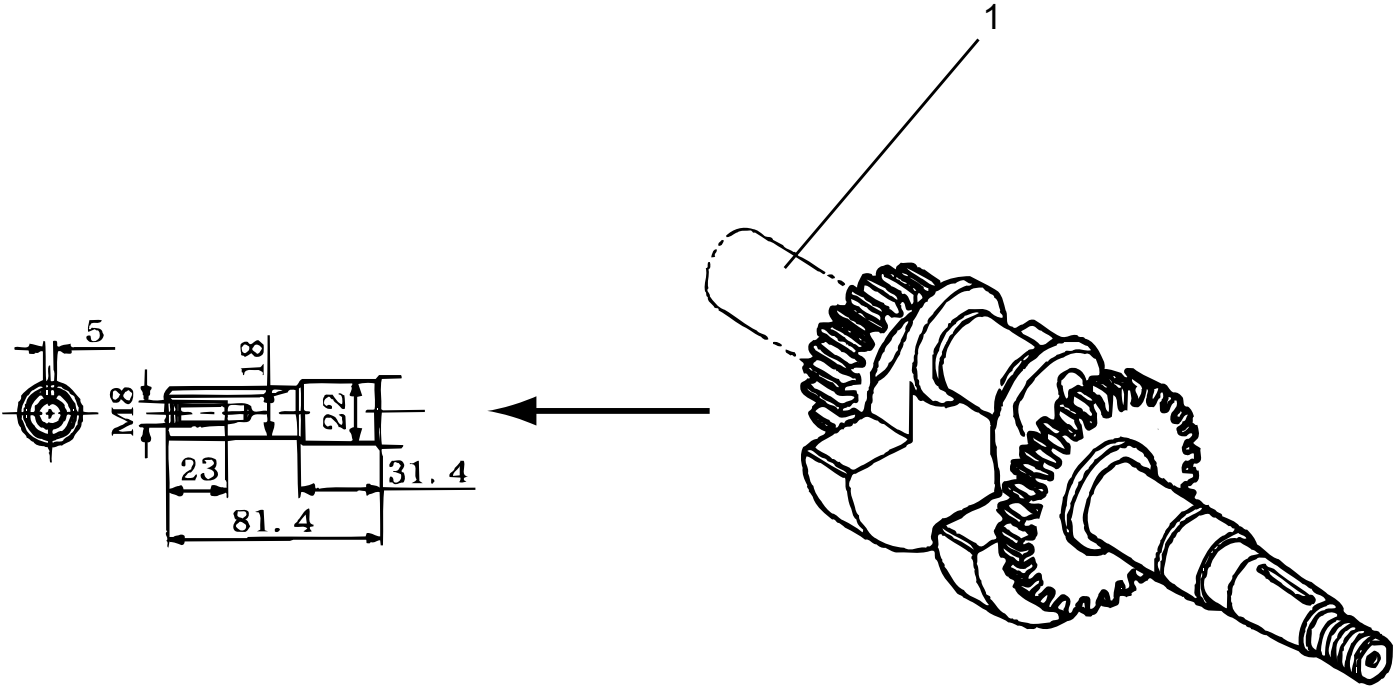


HONDA GX120U1SM12 ENGINE — CRANKCASE COVER ASSY.

CRANKCASE COVER ASSY.

<u>NO.</u>	<u>PART NO.</u>	<u>PART NAME</u>	<u>QTY.</u>	<u>REMARKS</u>
1	11300ZE0634	COVER ASSY., CRANKCASE	1.....	INCLUDES ITEMS W/@
3	11381ZH7800	GASKET, CRANKCASE	1	
5	15600ZE1003	CAP ASSY., OIL FILLER	1.....	INCLUDES ITEMS W/#
6	15600ZG4003	CAP ASSY., OIL FILLER	1.....	INCLUDES ITEMS W/+
7#+	15625ZE1003	PACKING, OIL FILLER CAP	2	
11	90015883000	BOLT, FLANGE 6X28	7	
13@	91001878003	BEARING, RADIAL 62/22	1	
14@	91203ZE0013	OIL SEAL 22X41X6	1	
16	9430108140	DOWEL PIN 8X14	2	

HONDA GX120U1SM12 ENGINE — CRANKSHAFT ASSY.

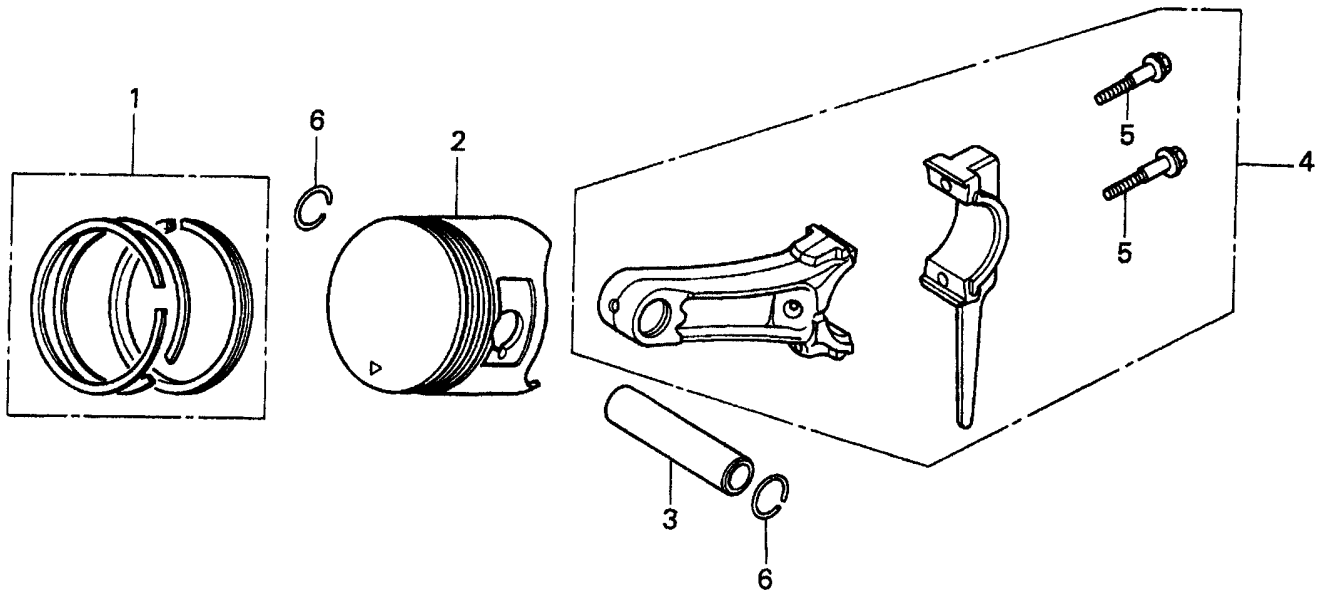


HONDA GX120U1SM12 ENGINE — CRANKSHAFT ASSY.

CRANKSHAFT ASSY.

<u>NO.</u>	<u>PART NO.</u>	<u>PART NAME</u>	<u>QTY.</u>	<u>REMARKS</u>
1	13310ZE0000	CRANKSHAFT	1	

HONDA GX120U1SM12 ENGINE — PISTON ASSY.

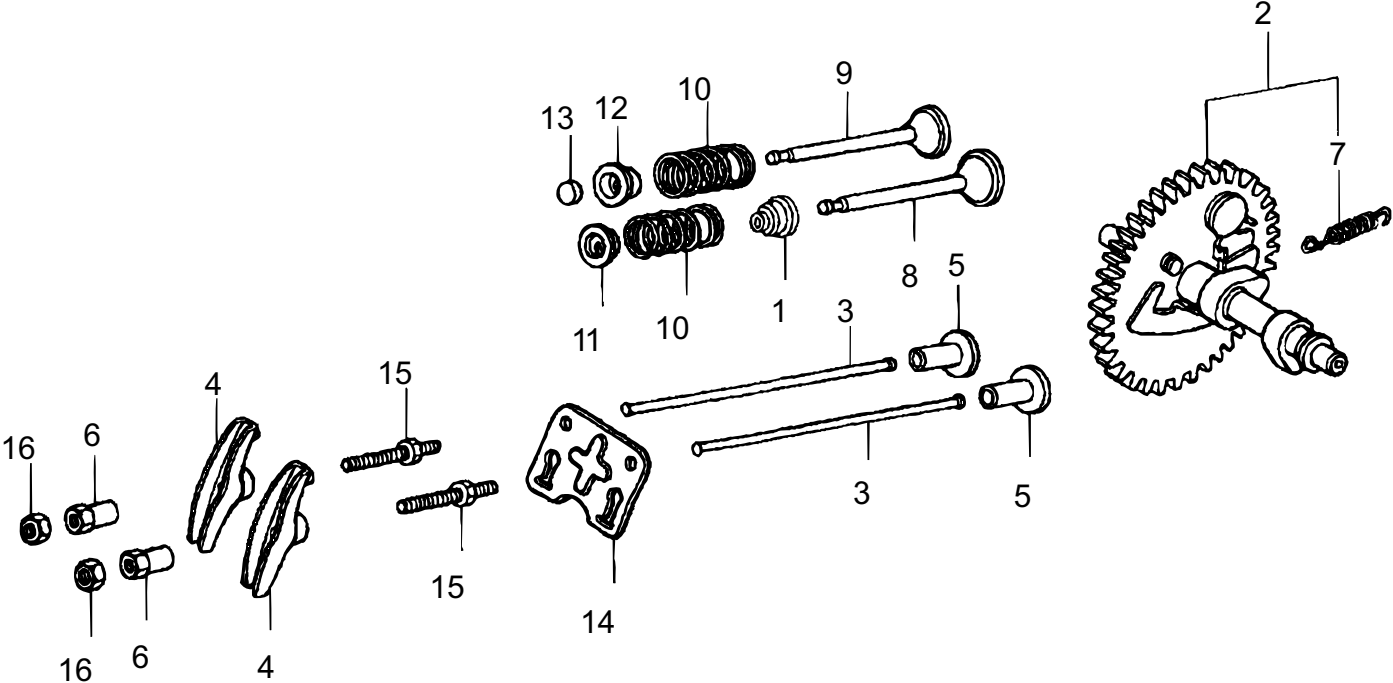


HONDA GX120U1SM12 ENGINE — PISTON ASSY.

PISTON/CONNECTING ROD ASSY.

<u>NO.</u>	<u>PART NO.</u>	<u>PART NAME</u>	<u>QTY.</u>	<u>REMARKS</u>
1	13010ZH7003	RING SET, PISTON (STANDARD)	1	
1	13011ZH7003	RING SET, PISTON (OS 0.25), OPTIONAL	1	
1	13012ZH7003	RING SET, PISTON (OS 0.50) , OPTIONAL	1	
1	13013ZH7003	RING SET, PISTON (OS 0.75), OPTIONAL	1	
2	13101ZH7010	PISTON, STANDARD	1	
2	13102ZH7010	PISTON, OS 0.25	1	
2	13103ZH7010	PISTON, OS 0.50	1	
2	13104ZH7010	PISTON, 0.75	1	
3	13111ZE0000	PIN, PISTON	1	
4	13200ZE0000	ROD ASSY, CONNECTING (UNDER SIZE).....	1	INCLUDES ITEMS W/@
4	13200ZE0000	ROD ASSY., CONNECTING.....	1	INCLUDES ITEMS W/@
5@	90001ZE1000	BOLT, CONNECTING ROD	2	
6	90551ZE0000	CLIP, PISTON PIN 13MM	2	

HONDA GX120U1SM12 ENGINE — CAMSHAFT ASSY.

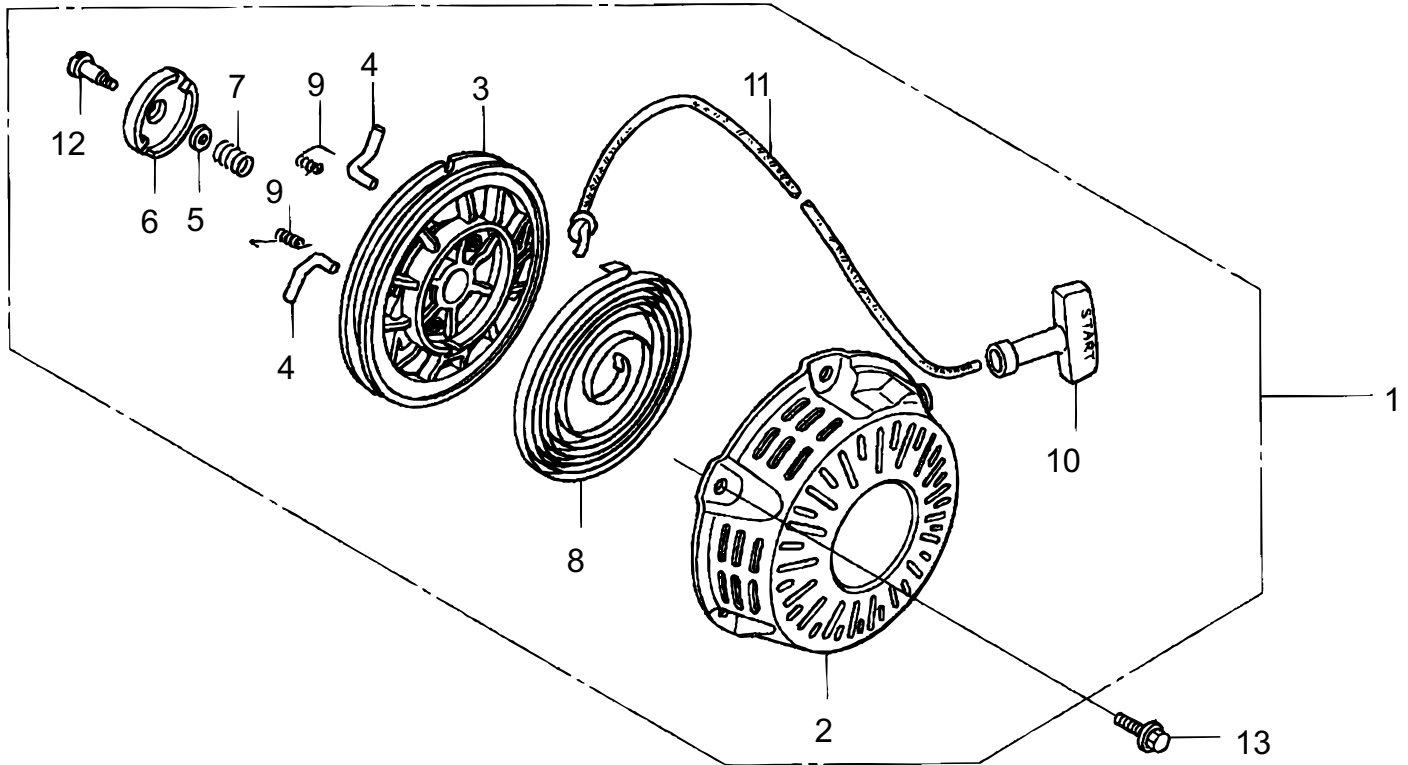


HONDA GX120U1SM12 ENGINE — CAMSHAFT ASSY.

CAMSHAFT ASSY.

<u>NO.</u>	<u>PART NO.</u>	<u>PART NAME</u>	<u>QTY.</u>	<u>REMARKS</u>
1	12209ZH8003	SEAL, VALVE STEM	1	
2	14100ZE0812	CAMSHAFT ASSY.....	1	INCLUDES ITEMS W/@
3	14410ZE0010	ROD, PUSH	2	
4	14431ZE1000	ARM, VALVE ROCKER	2	
5	14441ZE1010	LIFTER, VALVE	2	
6	14451ZE1013	PIVOT, ROCKER ARM	2	
7@	14568ZE1000	SPRING, WEIGHT RETURN	1	
8	14711ZF0000	VALVE, IN.	1	
9	14721ZF0000	VALVE, EX.	1	
10	14751ZF1000	SPRING, VALVE	2	
11	14771ZE1000	RETAINER, IN. VALVE SPRING	1	
12	14773ZE1000	RETAINER, EX. VALVE SPRING	1	
13	14781ZE1000	ROTATOR, VALVE	1	
14	14791ZE0010	PLATE, PUSH ROD GUIDE	1	
15	90012ZE0010	BOLT, PIVOT 8MM	2	
16	90206ZE1000	NUT, PIVOT ADJ.	2	

HONDA GX120U1SM12 ENGINE — RECOIL STARTER ASSY.

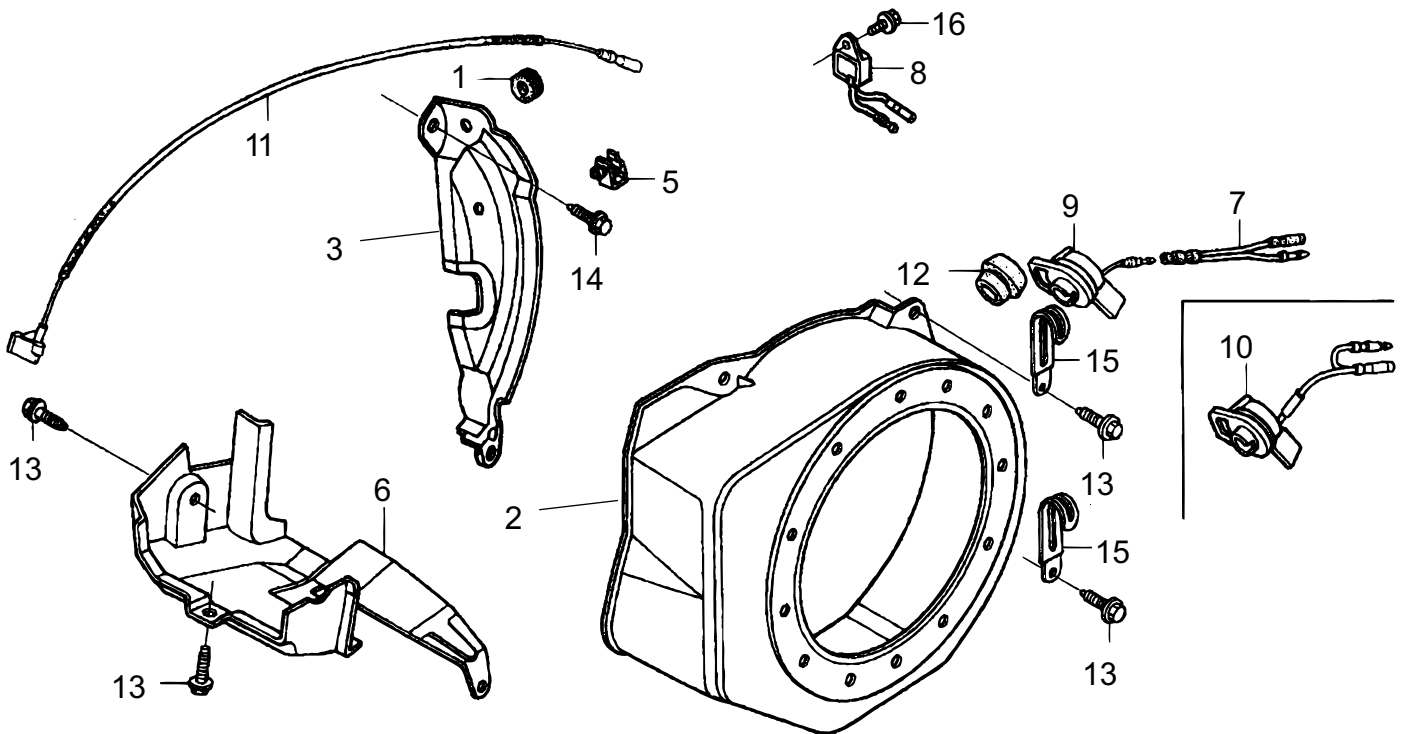


HONDA GX120U1SM12 ENGINE — RECOIL STARTER ASSY.

RECOIL STARTER ASSY.

<u>NO.</u>	<u>PART NO.</u>	<u>PART NAME</u>	<u>QTY.</u>	<u>REMARKS</u>
1	28400ZH8023ZB	STARTER ASSY., RECOIL @NH1@	1.....	INCLUDES ITEMS W/@
2@	28410ZH8003ZB	CASE, RECOIL STARTER @NH1@	1	
3@	28421ZH8801	REEL, RECOIL STARTER	1	
4@	28422ZH8801	RATCHET, STARTER	2	
5@	28431ZH8801	PLATE, FRICTION	1	
6@	28433ZH8801	GUIDE, RATCHET	1	
7@	28441ZH8801	SPRING, FRICTION	1	
8@	28442ZH8003	SPRING, RECOIL STARTER	1	
9@	28443ZH8001	SPRING, RETURN	2	
10@	28461ZH8003	GRIP, STARTER	1	
11@	28462ZH8003	ROPE, RECOIL STARTER	1	
12@	90003ZH8001	SCREW, SETTING	1	
13	9008ZE2003	BOLT, FLANGE 6X10	3	

HONDA GX120U1SM12 ENGINE — FAN COVER ASSY.

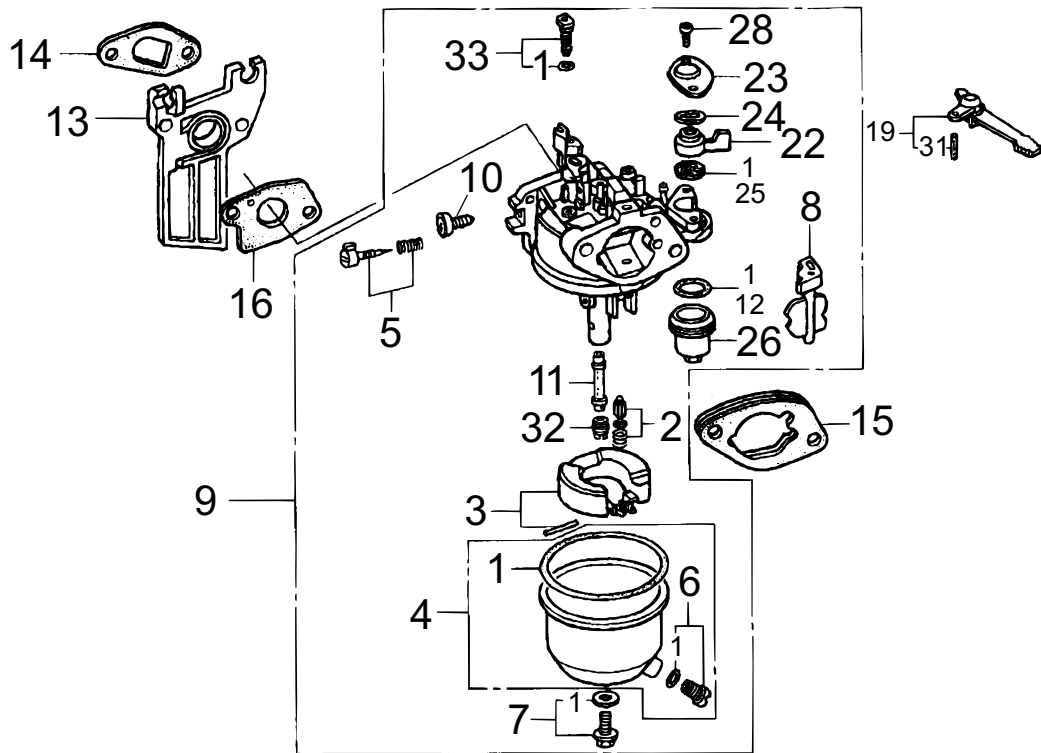


HONDA GX120U1SM12 ENGINE — FAN COVER ASSY.

FAN COVER ASSY.

<u>NO.</u>	<u>PART NO.</u>	<u>PART NAME</u>	<u>QTY.</u>	<u>REMARKS</u>
1	11347371300	GROMMET, ADJUSTING COVER	1	
2	19610ZE0000ZE	COVER, FAN *NH1*	1	
3	19611ZH7810	PLATE, SIDE (OIL ALERT)	1	
5	90601ZH7013	CLIP, HARNESS	1	
6	19630ZH7000	SHROUD	1	
8	34150ZH7003	ALERT UNIT, OIL	1	
10	36100ZF6P81	SWITCH ASSEMBLY, ENGINE STOP	1	
11	36101ZE1010	WIRE, STOP SWITCH 370MM	1	
13	90013883000	BOLT, FLANGE 6X12 (CT200)	6	
14	90022888010	BOLT, FLANGE 6X20(CT200)	1	
16	95 7010600800	BOLT, FLANGE 6X8	1	

HONDA GX120U1SM12 ENGINE — CARBURETOR ASSY.

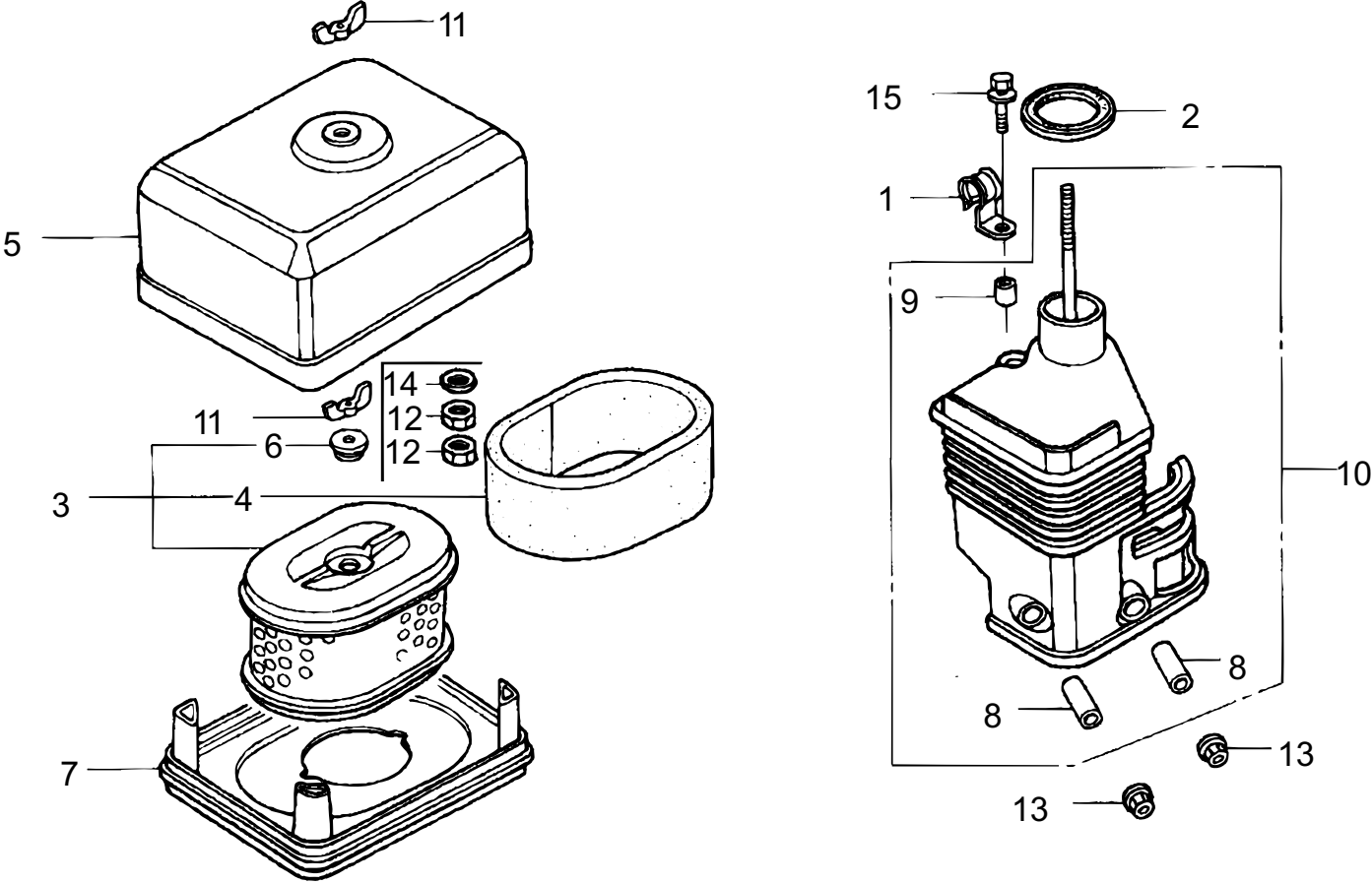


HONDA GX120U1SM12 ENGINE — CARBURETOR ASSY.

CARBURETOR ASSY.

<u>NO.</u>	<u>PART NO.</u>	<u>PART NAME</u>	<u>QTY.</u>	<u>REMARKS</u>
1@#	16010ZE1812	GASKET SET	1	
2@	16011ZE0005	VALVE SET, FLOAT	1	
3@	16013ZE0005	FLOAT SET	1	
4@	16015ZE0831	FLOAT CHAMBER SET	1.....	INCLUDES ITEMS W/#
5@	16016ZH7W01	SCREW SET, PILOT	1	
6@#	16024ZE1811	SCREW SET, DRAIN	1	
7@	16028ZE0005	SCREW SET B	1	
8@	16044ZE0005	CHOKE SET	1	
9	16100ZH7W51	CARBURETOR ASSY., BE60B B	1.....	INCLUDES ITEMS W/@
10@	16124ZE0005	SCREW, THROTTLE STOP	1	
11@	16166ZH7W50	NOZZLE, MAIN	1	
12@	16173001004	PACKING, CUP	1	
13	16211ZE0000	INSULATOR, CARBURETOR	1	
14	16212ZH7800	PACKING, INSULATOR	1	
15	16220ZE1020	SPACER, CARBURETOR	1	
16	16221ZH8801	GASKET, CARBURETOR	1	
19	16610ZE1000	LEVER, CHOKE (STANDARD).....	1.....	INCLUDES ITEMS W/+
22@	16953ZE1812	LEVER, VALVE	1	
23@	16954ZE1812	PLATE, LEVER SETTING	1	
24@	16956ZE1811	SPRING, VALVE LEVER	1	
25@	16957ZE1812	GASKET, VALVE	1	
26@	16967ZE0811	CUP, FUEL STRAINER	1	
28@	93500030061H	SCREW, PAN (3 X 6)	2	
31+	9430520122	PIN, SPRING (2 X 12)	1	
32@	99101ZH80600	JET, MAIN (#60)	1	
33@	99204ZE00350	JET, SET, PILOT (#35)	1	

HONDA GX120U1SM12 ENGINE — AIR CLEANER ASSY.

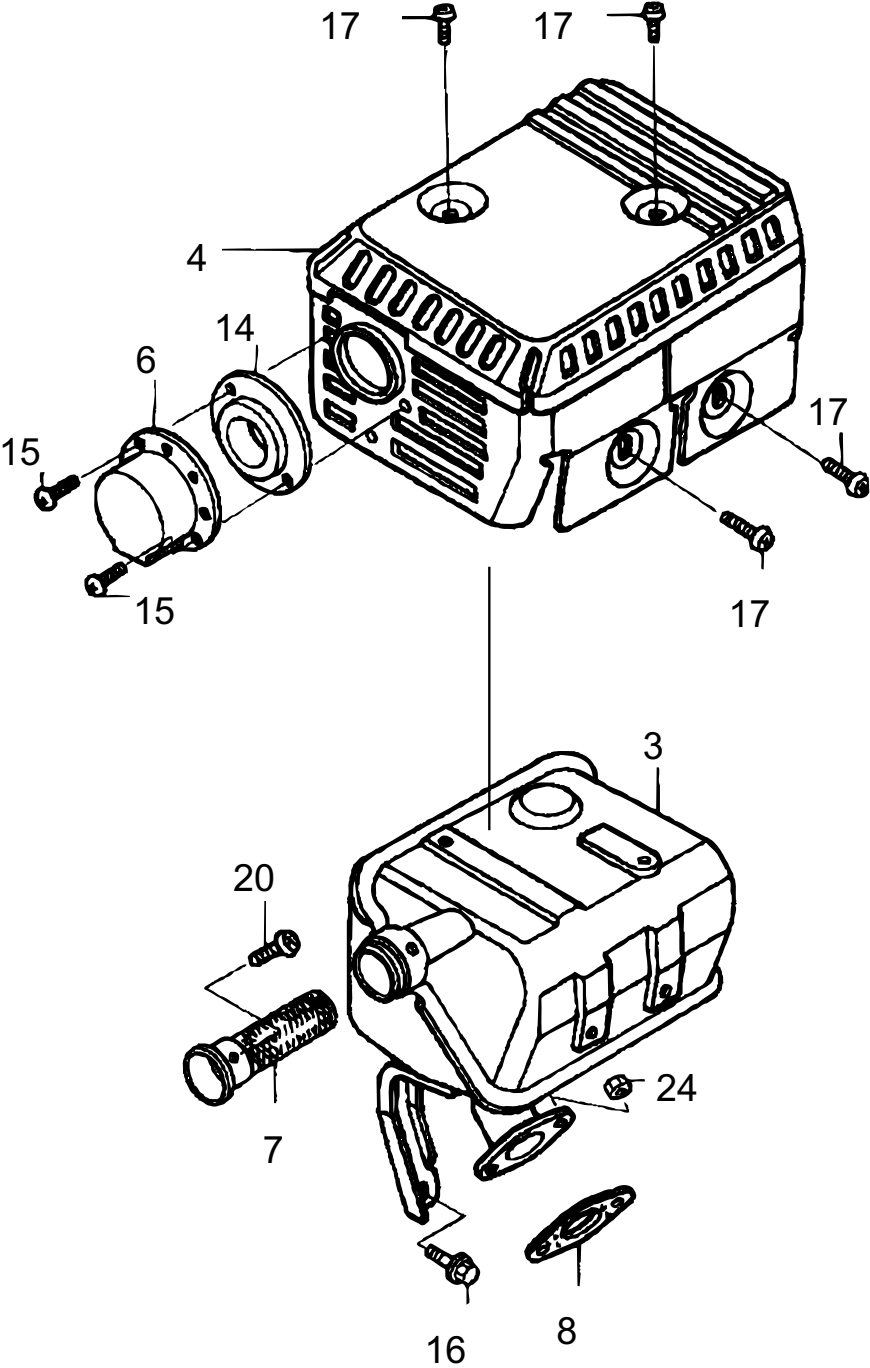


HONDA GX120U1SM12 ENGINE — AIR CLEANER ASSY.

AIR CLEANER ASSY.

<u>NO.</u>	<u>PART NO.</u>	<u>PART NAME</u>	<u>QTY.</u>	<u>REMARKS</u>
2	16271ZE1000	GASKET, ELBOW	1	
3	17210ZE0822	CLEANER ELEMENT	1.....	INCLUDES ITEMS W/#
4#	17218ZE0821	ELEMENT OUTER	1	
5	17230ZE0820	COVER, AIR CLEANER	1	
6#	17232891000	GROMMET, AIR CLEANER	1	
7	17235ZE1831	NOSE, SILENCER	1	
8@	17238ZE0010	COLLAR, AIR CLEANER	2	
9@	17239ZE1000	COLLAR B, AIR CLEANER	1	
10	17410ZE0030	ELBOW, AIR CLEANER	1.....	INCLUDES ITEMS W/@
11	90325044000	WINGNUT, TOOL BOX SETTING	2	
13	9405006000	NUT, FLANGE 6MM	2	
15	957010602000	BOLT, FLANGE 6X20	1	

HONDA GX120U1SM12 ENGINE — MUFFLER ASSY.

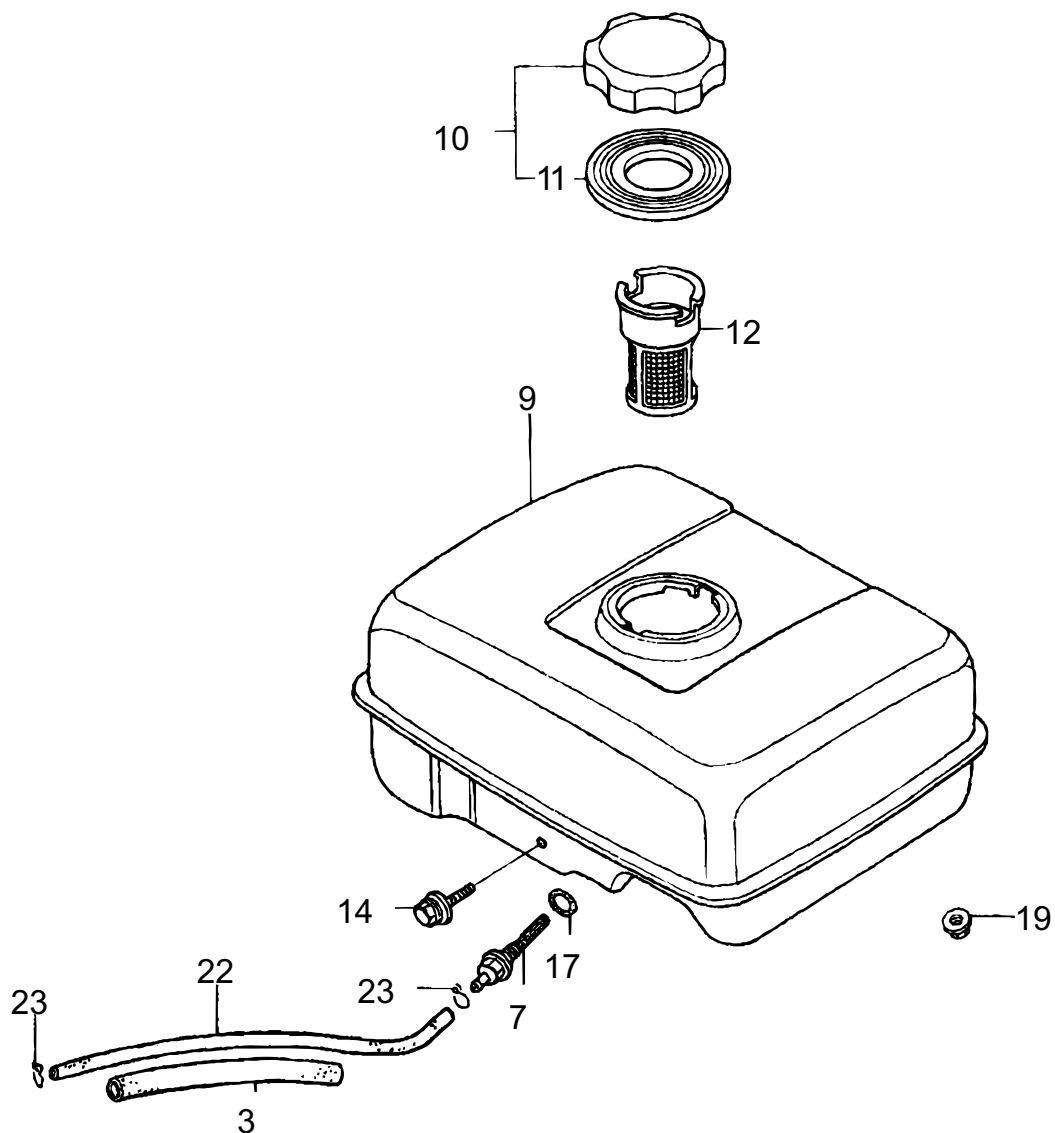


HONDA GX120U1SM12 ENGINE — MUFFLER ASSY.

MUFFLER ASSY.

<u>NO.</u>	<u>PART NO.</u>	<u>PART NAME</u>	<u>QTY.</u>	<u>REMARKS</u>
3	18310ZH8810	MUFFLER	1	
4	18320ZF1H01	PROTECTOR, MUFFLER	1	
6	18340ZE1010	DEFLECTOR	1	
7	18355ZE1000	ARRESTER, SPARK	1	
8	18381ZH8800	GASKET, MUFFLER	1	
14	18522ZE1000	GUIDE, MUFFLER	1	
15	90002ZG0003	SCREW, TAPPING 4X8	2	
16	90016ZE1000	BOLT, FLANGE 6 X 13	1	
17	90050ZE1000	SCREW, TAPPING 5X8	4	
20	90055ZE1000	SCREW, TAPPING 4X6	1	
24	94001080000S	NUT, HEX. 8MM	2	

HONDA GX120U1SM12 ENGINE — FUEL TANK ASSY.

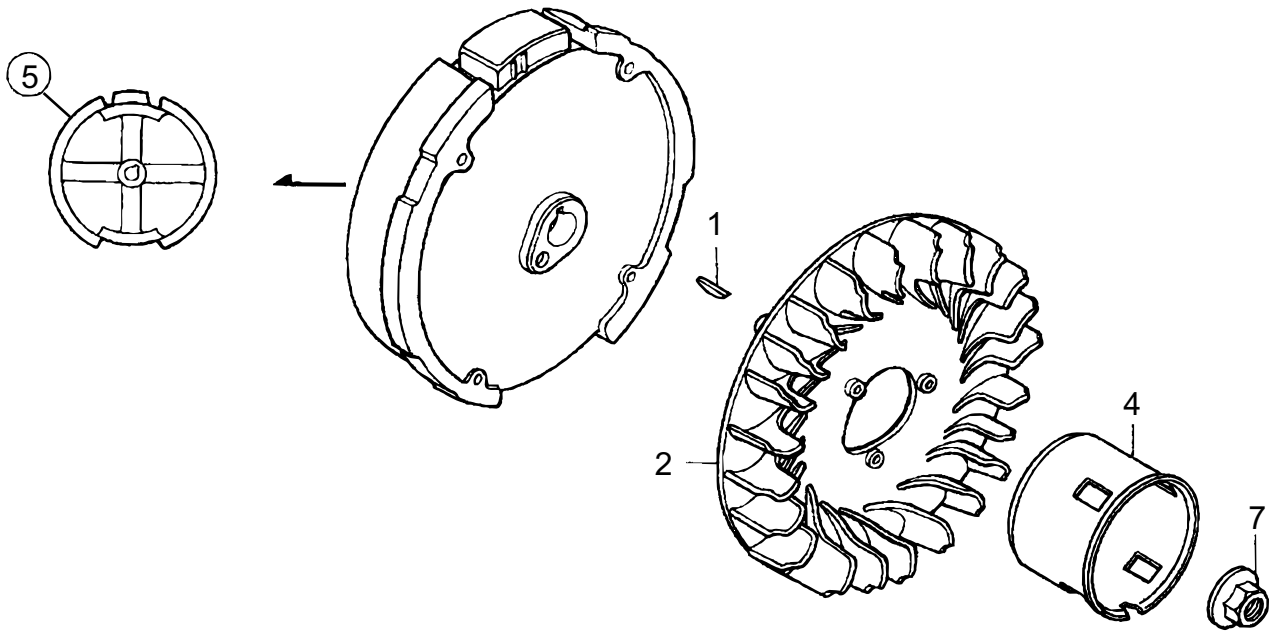


HONDA GX120U1SM12 ENGINE— FUEL TANK ASSY.

FUEL TANK ASSY.

<u>NO.</u>	<u>PART NO.</u>	<u>PART NAME</u>	<u>QTY.</u>	<u>REMARKS</u>
3	16854ZH8000	RUBBER, SUPPORTER 107MM	1	
7	16955ZE1000	JOINT, FUEL TANK	1	
9	17510ZE0020ZD	TANK, FUEL *NH1* (BLACK)	1	
10	17620ZH7023	CAP, FUEL FILLER.....	1.....	INCLUDES ITEMS W/@
11@	17631ZH7003	GASKET, FUEL FILLER CAP	1	
12	17672ZE2W01	FUEL FILTER	1	
14	90004ZH7003	BOLT, FLANGE 6X29	1	
17	91353671004	O- RING 14MM	1	
19	9405006000	NUT, FLANGE 6MM	2	
22	950014514040	BULK HOSE, FUEL 4.5X140	1	
22	950014500160M	BULK HOSE, FUEL 4.5X1000	1	
23	9500202080	CLIP, TUBE (B8)	2	

HONDA GX120U1SM12 ENGINE — FLYWHEEL ASSY.

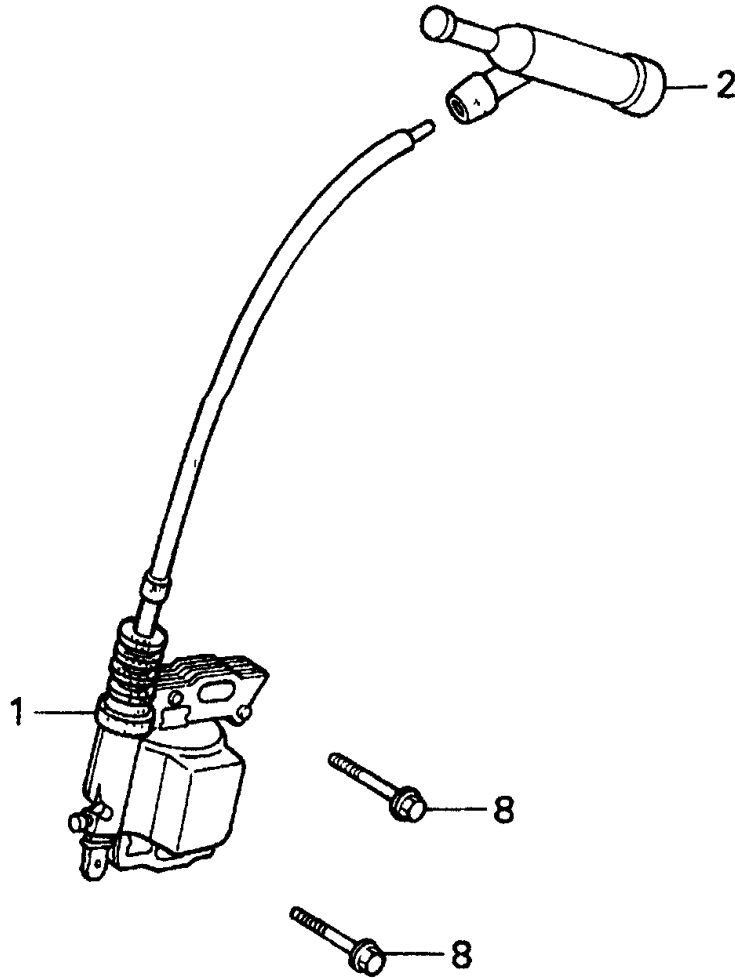


HONDA GX120U1SM12 ENGINE — FLYWHEEL ASSY.

FLYWHEEL ASSY.

<u>NO.</u>	<u>PART NO.</u>	<u>PART NAME</u>	<u>QTY.</u>	<u>REMARKS</u>
1	13331357000	KEY, SPECIAL WOODRUFF 25X18	1	
2	19511ZE0000	FAN, COOLING	1	
4	28451ZH7801	PULLEY, STARTER	1	
5	31100ZE0010	FLYWHEEL	1	
7	90201878003	NUT, SPECIAL 14MM	1	

HONDA GX120U1SM12 ENGINE — IGNITION COIL ASSY.

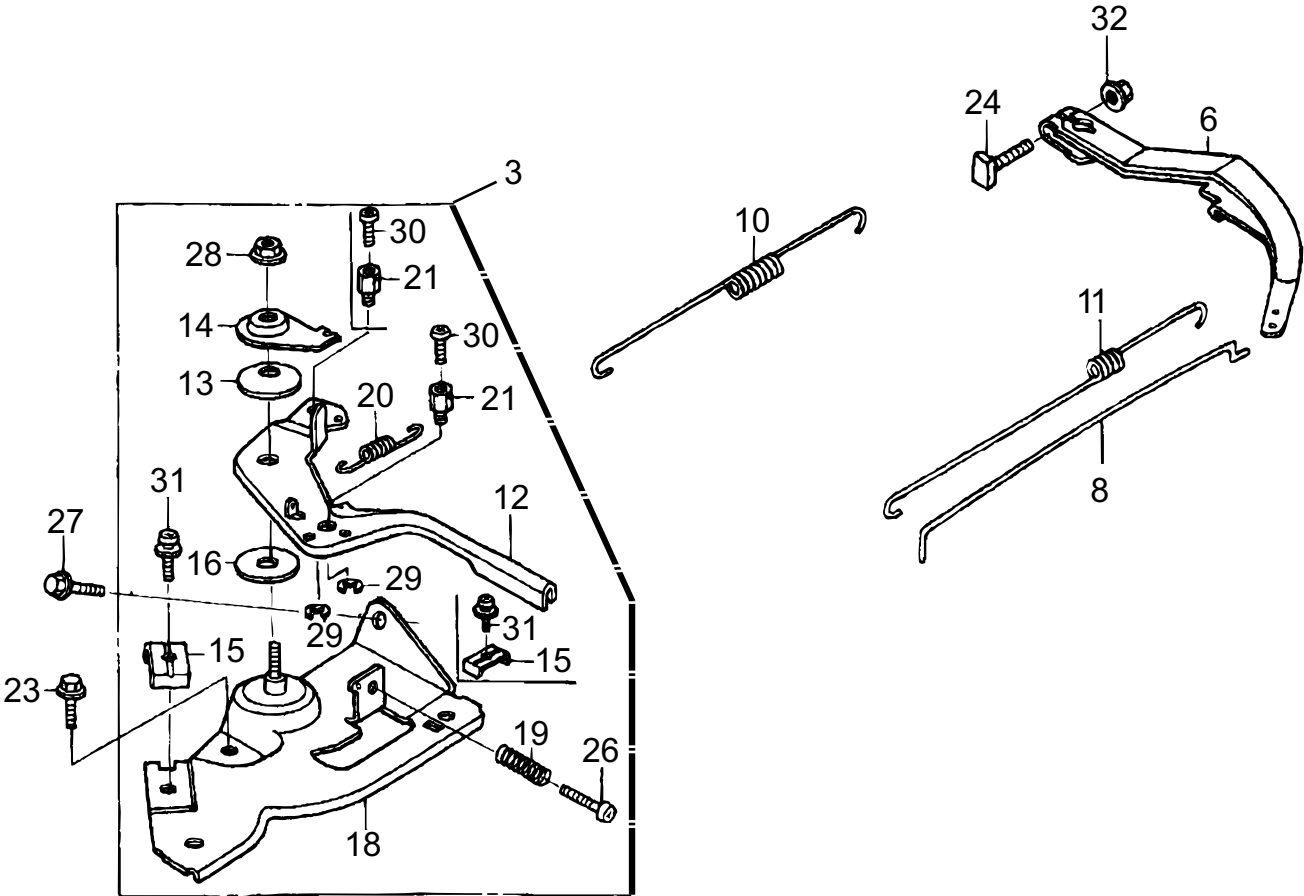


HONDA GX120U1SM12 ENGINE — IGNITION COIL ASSY.

IGNITION COIL ASSY.

<u>NO.</u>	<u>PART NO.</u>	<u>PART NAME</u>	<u>QTY.</u>	<u>REMARKS</u>
1	30500ZE1063	COIL ASSY., IGNITION	1	
2	30700ZE1013	CAP ASSY., NOISE SUPPRESSOR	1	
8	90121952000	BOLT, FLANGE 6X25	2	

HONDA GX120U1SM12 ENGINE — CONTROL ASSY.

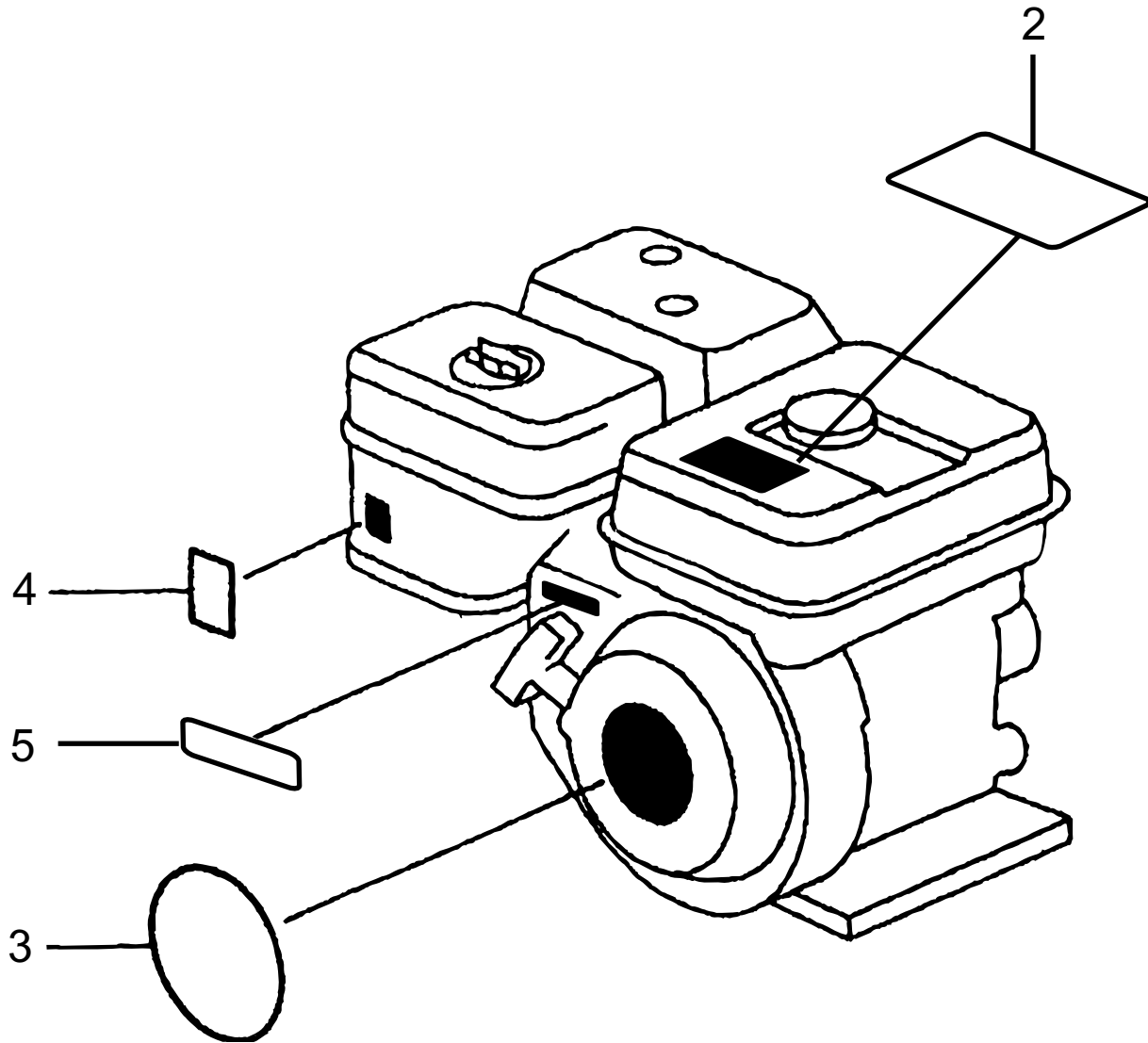


HONDA GX120U1SM12 ENGINE — CONTROL ASSY.

CONTROL ASSY.

<u>NO.</u>	<u>PART NO.</u>	<u>PART NAME</u>	<u>QTY.</u>	<u>REMARKS</u>
3	16500ZK7U50	CONTROL ASSY.....	1.....	INCLUDES ITEMS W/#
6	16551ZE0010	ARM, GOVERNOR	1	
8	16555ZE0000	ROD, GOVERNOR	1	
10	16561ZE0020	SPRING, GOVERNOR	1	
11	16562ZE0020	SPRING, THROTTLE RETURN	1	
12#	16571ZH7000	LEVER, CONTROL	1	
13#	16574ZE1000	SPRING, LEVER	1	
14#	16575ZH8000	WASHER, CONTROL LEVER	1	
15#	16576891000	HOLDER, CABLE	2	
16#	16578ZE1000	SPACER, CONTROL LEVER	1	
18#	16580ZH7810	BASE CONTROL	1	
19#	16584883300	SPRING, CONTROL ADJUSTING	1	
20#	16592ZE1810	SPRING, CABLE RETURN	1	
21#	16594883010	HOLDER, WIRE	2	
23	90013883000	BOLT, FLANGE 6X12 (CT200)	1	
24	90015ZE5010	BOLT, GOVERNOR ARM	1	
26#	93500050250H	SCREW, PAN 5X25	1	
27	90022888010	BOLT, FLANGE 6X20 (CT200)	1	
28#	90114SA0000	NUT, SELF- LOCK 6MM	1	
29#	90605230000	CIRCLIP, 5 MM	2	
30#	93500040060H	SCREW 4X6	2	
31#	93500050160A	SCREW, PAN 5X16	2	
32	9405006000	NUT, FLANGE 6MM	1	

HONDA GX120U1SM12 ENGINE — DECALS ASSY.



HONDA GX120U1SM12 ENGINE — DECALS ASSY.

LABELS ASSY.

<u>NO.</u>	<u>PART NO.</u>	<u>PART NAME</u>	<u>QTY.</u>	<u>REMARKS</u>
2	87521ZH7000	MARK, OPERATOR CAUTION	1	
3	87521ZH7030	EMBLEM	1	
4	87528ZH7000	MARK, CHOKE	1	
5	87532ZH7000	MARK, THROTTLE INDICATION	1	

PARTS MANUAL

HERE'S HOW TO GET HELP

PLEASE HAVE THE MODEL AND SERIAL
NUMBER ON-HAND WHEN CALLING

UNITED STATES

Multiquip Inc.

(310) 537- 3700
6141 Katella Avenue Suite 200
Cypress, CA 90630
E-MAIL: mq@multiquip.com
WEBSITE: www.multiquip.com

CANADA

Multiquip

(450) 625-2244
4110 Industriel Boul.
Laval, Quebec, Canada H7L 6V3
E-MAIL: infocanada@multiquip.com

UNITED KINGDOM

Multiquip (UK) Limited Head Office

0161 339 2223
Unit 2, Northpoint Industrial Estate,
Globe Lane,
Dukinfield, Cheshire SK16 4UJ
E-MAIL: sales@multiquip.co.uk

© COPYRIGHT 2020, MULTIQUIP INC.

Multiquip Inc, the MQ logo are registered trademarks of Multiquip Inc. and may not be used, reproduced, or altered without written permission. All other trademarks are the property of their respective owners and used with permission.

This manual MUST accompany the equipment at all times. This manual is considered a permanent part of the equipment and should remain with the unit if resold.

The information and specifications included in this publication were in effect at the time of approval for printing. Illustrations, descriptions, references and technical data contained in this manual are for guidance only and may not be considered as binding. Multiquip Inc. reserves the right to discontinue or change specifications, design or the information published in this publication at any time without notice and without incurring any obligations.

Your Local Dealer is:

