

SKYJACK
MID SIZE SERIES
SJ 7135

AVAILABLE FOR RENT



www.atsequipment.com

ROUGH TERRAIN SCISSOR LIFT



ATS EQUIPMENT INC. Construction Equipment & Supplies Rentals • Sales • Service

BOSTON, MA
(617) 825-3600

AUBURN, MA
(508) 832-8500

REHOBOTH, MA
(508) 379-6200

CANDIA, NH
(603) 483-2100

MID SIZE SERIES - ROUGH TERRAIN SCISSOR LIFT

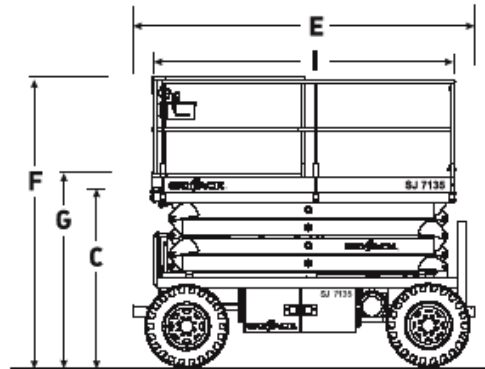
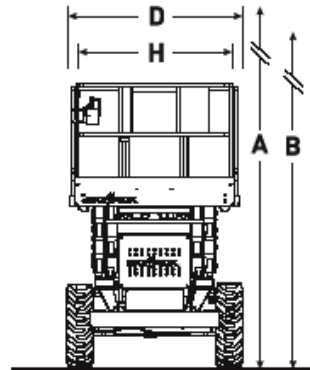
DIMENSIONAL SPECIFICATIONS	SJ 7135
A Work Height	41'
B Raised Platform Height	35'
C Lowered Platform Height	67.5"
D Overall Width	71"
E Overall Length	128"
F Stowed Height (Rails up)	112.5"
G Stowed Height (Rails down)	84"
H Platform Width (Inside Dimension)	64"
I Platform Length (Inside Dimension)	116.5"
Deck Extension	4.5"
Ground Clearance	8.5"
Wheelbase	95"

TECHNICAL SPECIFICATIONS	SJ 7135
Weight	9120 lbs
Gradeability	30%
Turning Radius (inside)	109"
Turning Radius (outside)	207"
Lift time (With Rated Load)	41 sec
Lower time (With Rated Load)	44 sec
Drive Speed (Stowed)	3 mph
Drive Speed (Raised)	0.35mph
Maximum Drive Height	Full Height
Capacity (Overall)	1,000 lbs
Distributed Capacity (Main Platform)	650 lbs
Distributed Capacity (Extension deck)	350 lbs
Local Floor Load (with rated load)	120 psi
Overall Floor Load (with rated load)	227 psi
Maximum # of Persons	4
Tire Type	Air Filled
Tire Size	10 x 16.5



STANDARD FEATURES

- Drivable at full height
- Axle based 4WD
- "Detroit Locker" type rear differential and limited slip front differential
- Disc brake system on rear axle
- 4.5' roll out extension deck
- 31hp Kubota Dual fuel (gas/propane) engine on roll out tray
- Analog control system
- Color coded and numbered wiring system
- 30% Gradeability
- Grip lug, air-filled tires
- 110v AC outlet on platform with GFI
- Tilt arm with drive & lift cut-out
- All motion audible alarm
- Flashing light
- Operator horn
- Hinged railing system
- Full height spring hinged gate at rear
- Lanyard attachment points
- Tie down/Lift lugs



ATS EQUIPMENT INC. Construction Equipment & Supplies Rentals • Sales • Service

BOSTON, MA
(617) 825-3600

AUBURN, MA
(508) 832-8500

REHOBOTH, MA
(508) 379-6200

CANDIA, NH
(603) 483-2100