

KOBELCO

SK30SR

COMPACT MINI EXCAVATOR

AVAILABLE FOR
RENT OR SALE

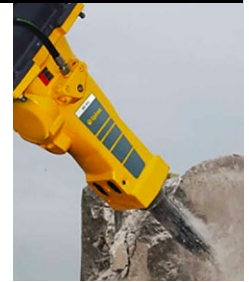


www.atsequipment.com

Full-Size Performance, Short-radius Agility and Quiet Operation



7,320lbs
23 hp
11 gallon fuel tank
Rubber Tracks



Specifications

GENERAL			
MODEL		SK30SR	
Type		SK30SR-6E	
Machine Mass	Canopy	lbs	7,320
Arm Length		ft-in	4' 4"
ENGINE			
Model		YANMAR 3TNV88F-E	
Type		Water cooled, 4-cycle, 3-cylinder, direct injection, diesel engine	
Power Output		hp/rpm	23/2,400 (SAE NET)
Max. Torque		lbf-ft/rpm	60/1,440
Displacement		cu in	100
Fuel Tank		U. S. gal	11.1
HYDRAULIC SYSTEM			
Pump		Two variable displacement pumps + one gear pump	
Max. Discharge Flow		US gal/min	2 x 10
Relief Valve Setting (Excavating circuits)		psi	3,335
Relief Valve Setting (Dozer circuit)		psi	3,335
Hydraulic Oil Tank (system)		US gal	5.4
TRAVEL SYSTEM			
Travel Motors		2x axial-piston, two-step motors	
Parking Brake		Oil disc brake per motor	
Travel Speed (high/low)		mph	2.7/1.6
Drawbar Pulling Force (SAE)	Canopy	lbf	8,630

- Standard 18" bucket
- 12" digging bucket
- 30" grading
- 42" powertilt grading
- Thumbs available
- Auger available
- Hammers available



ATS EQUIPMENT INC. Construction Equipment & Supplies Rentals • Sales • Service

BOSTON, MA
(617) 825-3600

AUBURN, MA
(508) 832-8500

REHOBOTH, MA
(508) 379-6200

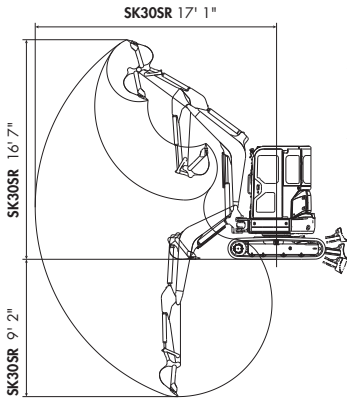
CANDIA, NH
(603) 483-2100

AVAILABLE FOR RENT OR SALE
KOBELCO SK30SR



COMPACT MINI EXCAVATOR

www.atsequipment.com



Wide Working Range

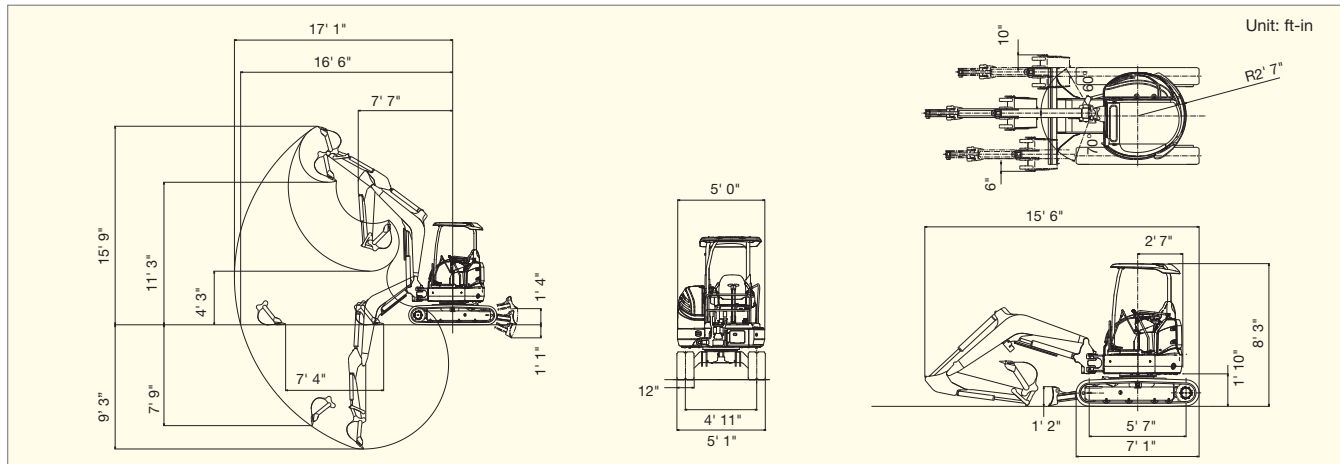
A larger boom and arm are provided as standard equipment to ensure a wider working range.

Short Tail Swing

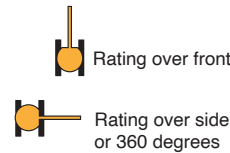
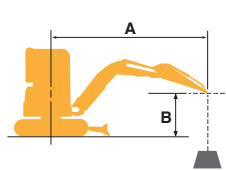
The compact tail swing improves operating efficiency in limited space. Tail overhang: 4" (Additional weight)



WORKING RANGES & DIMENSIONS



LIFTING CAPACITIES



A: Reach from swing centerline to arm tip
 B: Arm tip height above/below ground
 C: lifting capacities in pounds
 Shoe: Rubber shoe Dozer blade: Down
 Relief valve setting: 3,335 psi

SK30SR Canopy		Arm: 4' 4", Without bucket, Shoe: 11.8" Heavy Counterweight (+551lb)												
		A		5' (1.5m)		7.5' (2.3m)		10' (3.0m)		12.5' (3.8m)		At Max. Reach		Radius
B														
12.5'	lb											*1,810	1,320	10'10"
10'	lb									*1,700	1,050	*1,720	990	12'11"
7.5'	lb							*1,950	1,470	*1,750	1,030	*1,710	840	14'1"
5'	lb							*2,430	1,380	*1,940	990	*1,730	780	14'8"
2.5'	lb							*2,830	1,300	*2,110	960	*1,760	760	14'7"
Ground Level	lb				*4,580	1,890	*2,970	1,260	*2,160	930	*1,790	790	14'1"	
-2.5'	lb	*4,430	3,850	*4,090	1,910	*2,770	1,250	*1,950	930	*1,800	900	*1,800	900	12'10"
-5'	lb	*4,890	3,940	*3,070	1,960	*2,060	1,290					*1,710	1,170	10'9"

ATS EQUIPMENT INC. Construction Equipment & Supplies Rentals • Sales • Service

BOSTON, MA
 (617) 825-3600

AUBURN, MA
 (508) 832-8500

REHOBOTH, MA
 (508) 379-6200

CANDIA, NH
 (603) 483-2100