

HYDREMA

912HM

COMPACT DUMP TRUCK

**AVAILABLE FOR
RENT OR SALE**

ATS
EQUIPMENT INC.

www.atsequipment.com

COMPACT, HIGHLY MOBILE AND OFF-ROAD SUPERIOR



The articulated and compact dump trucks with supreme performance, easy to use, low weight and great durability. Provides efficiency and operating qualities - every day, year after year.

ATS EQUIPMENT INC. Construction Equipment & Supplies Rentals • Sales • Service

BOSTON, MA
(617) 825-3600

AUBURN, MA
(508) 832-8500

REHOBOTH, MA
(508) 379-6200

CANDIA, NH
(603) 483-2100

AVAILABLE FOR RENT OR SALE

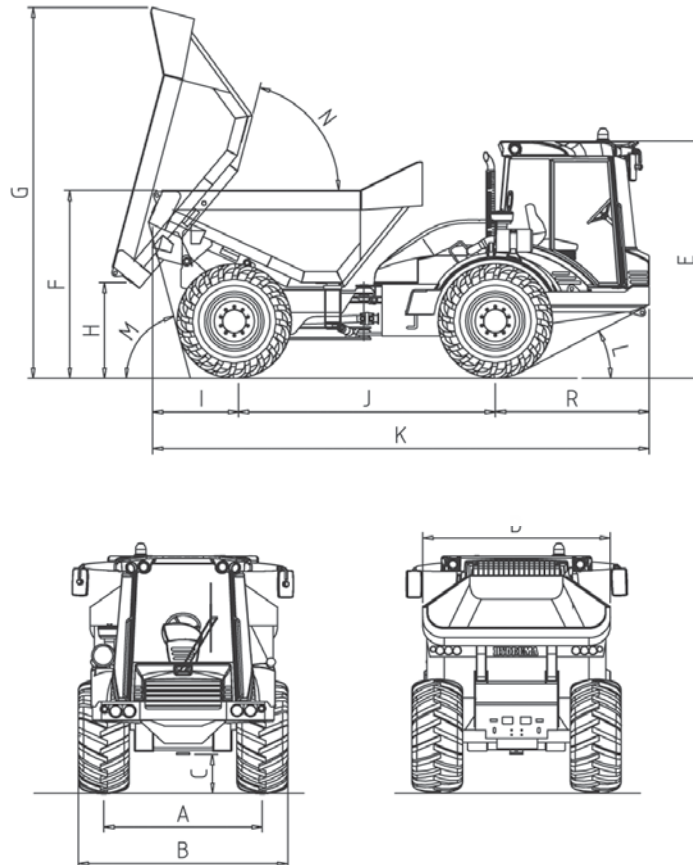
912HM COMPACT DUMP TRUCK



www.atsequipment.com

	MultiTip
Tires	800/45x30.5
Total weight	41,270 lb
Unladen weight	19,224 lb
Load capacity	22,046 lb
Ground pressure (full load)	12.52 psi
A. Track	6'9"
B. Total width	9'5"
C. Ground clearance	1'8"
D. Width, dump body	7'3"
E. Total height	9'5"
F. Loading height	8'2"
G. Max. height for tipping	15'1"
H. Tipping clearance	4'6"
I. Overhang, rear	3'0"
J. Wheelbase	10'1"
K. Overall length	19'6"
L. Approach angle, front	30°
M. Departure angle, rear	74°
N. Tipping angle	67°
R. Overhang, front	6'2"
Capacity	7.3 yd ³
Turning radius	20'8"

DIMENSIONS



ADVANTAGES

- High mobility due to center pivot steering and hydraulic stabilizers.
- Quality made. Heavy duty construction. Built to last.
- Low weight and chassis design gives very low ground pressure.
- Strong Cummins QSB 4.5 stage 3b motor with DOC catalyst. Great torque.
- Extremely user friendly and easy to operate. High operator comfort and safety.

ATS EQUIPMENT INC. Construction Equipment & Supplies Rentals • Sales • Service

BOSTON, MA
(617) 825-3600

AUBURN, MA
(508) 832-8500

REHOBOTH, MA
(508) 379-6200

CANDIA, NH
(603) 483-2100