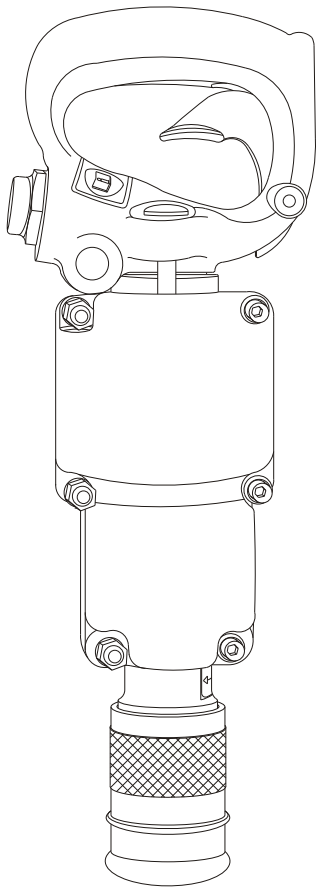




# Spare Parts List

**CP 0009 Drill**

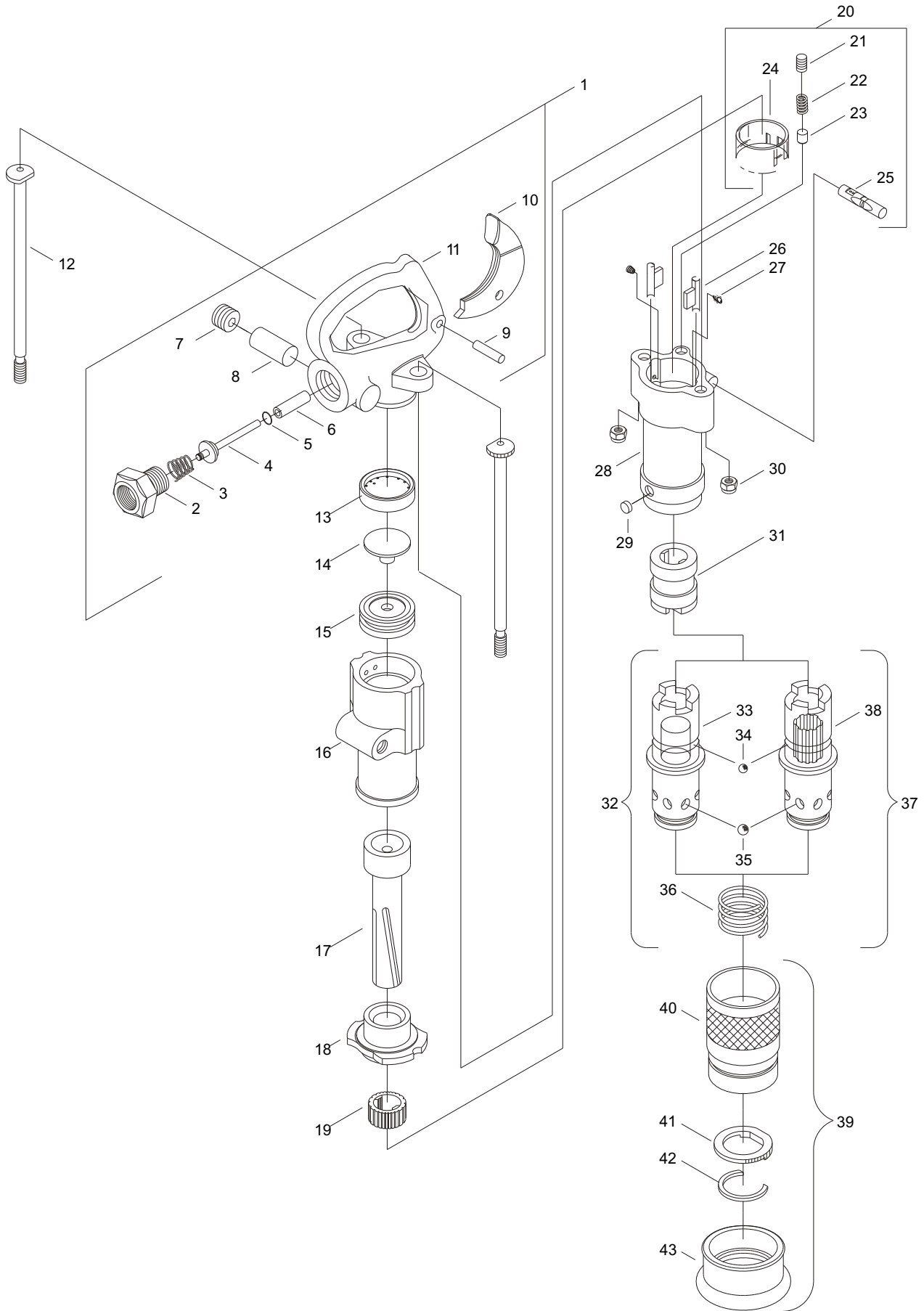


[www.cp.com](http://www.cp.com)



**Chicago  
Pneumatic**

# EXPLODED VIEW CP 0009 A&F



Ref. No.	Ordering No.	Qty.	Description
CP 0009 A & F			
1	R278018	1	Handle complete (Includes item Nos.2, 3, 4, 7, 8, 9, 10 & 11)
2	R085893	1	Bushing - Air inlet 3/8" NPTF (conical head)
3	R085596	1	Spring - Throttle valve
4	R086329	1	Valve - Throttle
5	R086098	1	Seat - Throttle Valve
6	R085599	1	Bushing - Throttle Valve
7	C077941	1	Plug - Pipe (3/8")
8	R085895	1	Felt - Oil chamber
9	A043627	1	Pin - Throttle lever
10	F027853	1	Lever - Throttle
11		1	Handle (Includes item No. 5 & 6)
12	F034249	2	Bolt - Thru
13	R085896	1	Rear valve seat
14	R085897	1	Valve
15	R085898	1	Front valve seat
16	R085886	1	Cylinder
17	F816122	1	Piston
18	R051356	1	Cylinder bushing
19	F816123	1	Ratchet ring
20	Z8294412	1	Rotation release set (Includes item No.21, 22, 23, 24 & 25)
21		1	Plug - Pipe (1/16 NPTF)
22		1	Spring - Plunger
23		1	Plunger - Shifter detent
24		1	Sleeve - Shifter
25		1	Plunger - Shifter
26	R051355	2	Pawl
27	R085890	2	Spring - Pawl
28	F816120	1	Fronthead
29	F061888	1	Plug - Ball retainer
30	S013073	2	Nut - Thru bolt
31	R085900	1	Chuck Sleeve
32	Z8366412	1	Round chuck complete (Includes item No.33,34,35 & 36)
33		1	Chuck (CP 9A)
34		17	Chuck retainer ball (Only available as set Z8767412 incl.17 balls)
35		8	Ball - Steel (5/16" Dia) (only available as set Z8768412 incl. 8 balls)
36	R086605	1	Spring - Sleeve retainer
37	Z8369412	1	Spline chuck complete (Includes item No.38,34,35 & 36 )
38		1	Chuck - Spline (CP 9F)
39	Z8375412	1	Retainer sleeve (Includes item No. 40, 41, 42 & 43)
40		1	Retainer
41	F826683	1	Retainer plate
42	F826893	1	Retainer ring
43	F815343	1	Dust excluder