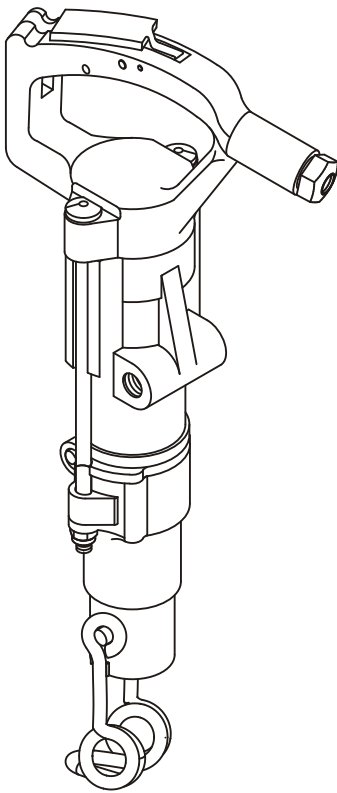




# Spare Parts List

## CP 0014 Rock Drill



[www.cp.com](http://www.cp.com)

 Chicago  
Pneumatic

**2005-09**  
**No. 9800 0528 01**

© Copyright  
Stockholm, Sweden

**Contents****Pages**

General information.....	4
Exploded views and tables .....	6-7

## GENERAL INFORMATION

Welcome! Protect your investment in the world's finest air tools. Use genuine CP replacement parts.

The purchase of replacement parts for your CP tools deserves the same good judgment that resulted in the buying of the tools themselves. Each genuine CP part is made from carefully selected and inspected material, subjected to sophisticated machinery and finishing processes and heat-treated to produce just the right combination of hardness, ductility and impact resistance for its intended use. All parts are manufactured concurrently with those used in production tools, and are identical to them. The use of parts other than genuine CP replacement parts can lead to substandard performance, early failure, possible damage of other parts and, in some instances, unsafe conditions.

To reduce the risk of injury, read and understand the Operating Instructions manual and the percussion tool safety instructions before operating the tool.

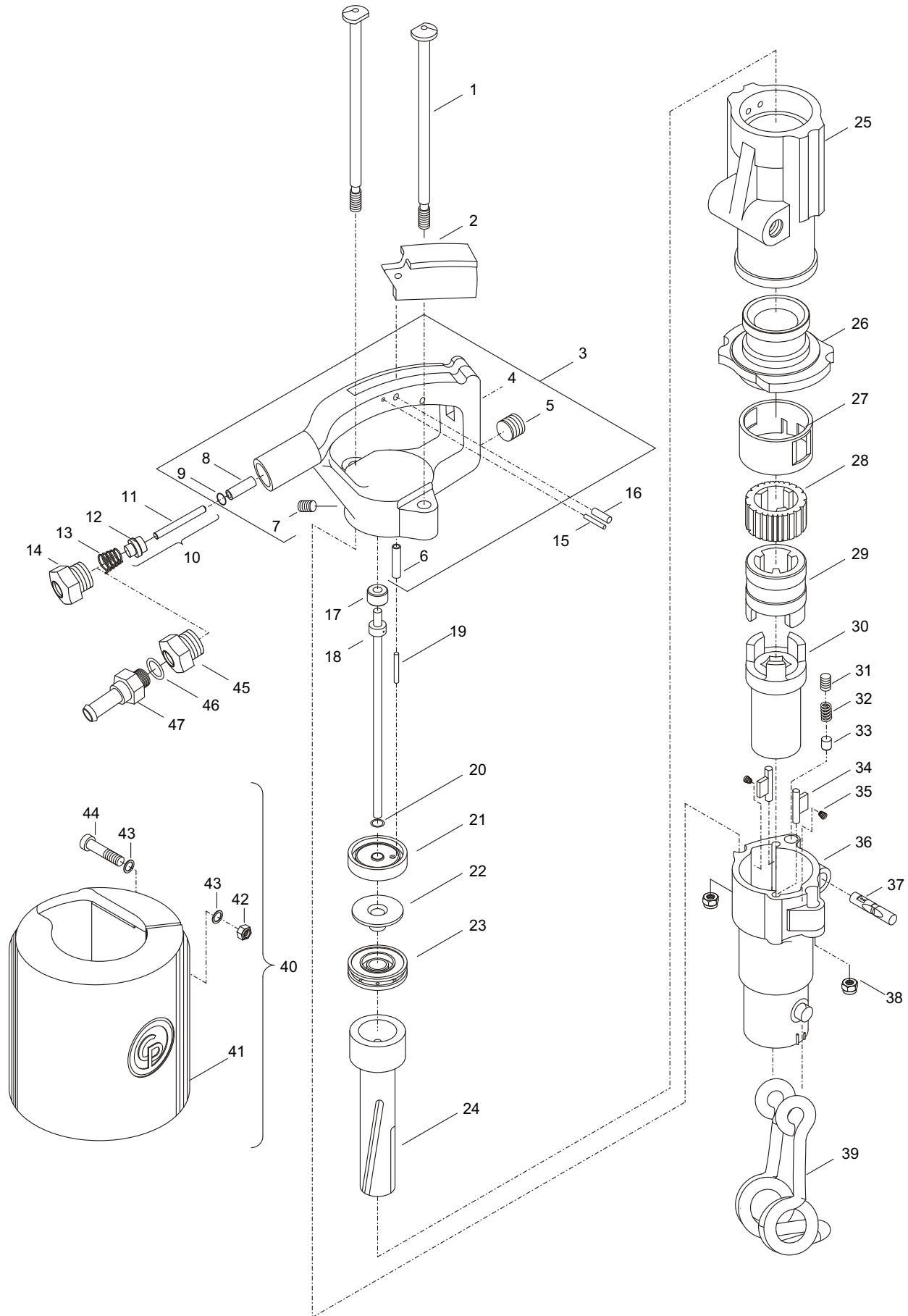
CP 0014 tools are both a drill and a chipping hammer.

The CP 0014 rotary hammers are designed for a wide variety of constructions and maintenance applications such as driving or setting masonry anchors and drilling holes in concrete, bricks or rock.

As a hammer, these tools can be used for chipping, scarifying, scaling and cleaning welds.



# EXPLODED VIEW OF CP 0014



Ref. No.	Ordering No.	Qty.	Description
1	F061564	2	Bolt - Thru
2	F064534	1	Lever - Throttle
3	R119157	1	Handle complete (Includes item No.4, 5, 6, 7, 8 & 9 )
4		1	Handle
5	C077941	1	Plug - Pipe (3/8")
6	R085580	1	Tube - Oil regulating
7	C068799	1	Plug - Pipe (1/4" NPTF)
8	R085599	1	Bushing - Valve stem
9	R086098	1	O-ring
10	R086329	1	Valve - Throttle complete (Includes item No. 11 & 12)
11		1	Valve stem
12		1	Throttle valve head
13	R085596	1	Spring - Throttle valve
14	R085595	1	Bushing - Air inlet (3/8" NPT) (For CP 0014 RR)
15	H082555	1	Pin - Throttle lever stop
16	A043627	1	Pin - Throttle lever
17	R085934	1	Rubber tube
18	R079223	1	Tube - Air (Dry blower)
19	R085582	1	Plunger - Oil regulating
20	C069083	1	O-ring
21	R085935	1	Seat
22	R085591	1	Valve
23	R085592	1	Seat - Front valve
24	R000120	1	Piston
25	R085575	1	Cylinder
26	R041684	1	Bushing - Cylinder (With rotation release)
27	R051350	1	Sleeve - Shifter
28	R093154	1	Ring - Ratchet
29	R085601	1	Sleeve - Chuck
30	R085600	1	Chuck (7/8" x 3 1/4" shank)
31	C068064	1	Plug - Pipe (1/8")
32	R051353	1	Spring - Plunger
33	R051349	1	Plunger - Detent
34	R085588	2	Pawl
35	R086654	2	Spring - Pawl
36	R041685	1	Fronthead
37	R051348	1	Plunger - Shifter
38	P070438	2	Nut - Thru bolt
39	R050584	1	Retainer - Wire
40	F827044	1	Muffler (Includes item No. 41, 42, 43 & 44) (For CP 0014 RRBS)
41		1	Muffler
42	C037118	6	Locknut
43	F826979	12	Washer
44	C051781	6	Cap screw
45	F826645	1	Bushing - Air inlet (3/8" BSP) (For CP 0014 RRBS)
46	F827380	1	Hose tail (For CP 0014 RRBS)
47	F064696	1	Gasket - Hose tail (For CP 0014 RRBS)
48	R085593	1	Inside throttle lever (Optional)
49	S069343	1	Allen key



**2005-09**  
**No. 9800 0528 01**

© Copyright  
Stockholm, Sweden

