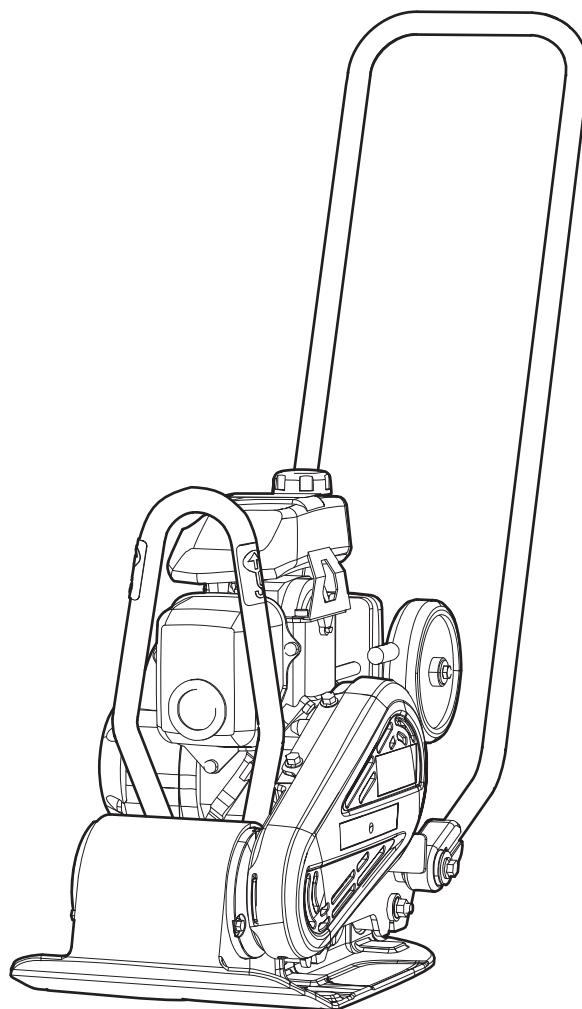


Spare parts list

Forward plate

MV 58

	Valid from serial number
MV 58 Honda 350 mm	27608531
MV 58 Honda 350 mm	BGF0000001



Contents

General information	5
Spare parts list	6
Engine plate installation, Honda.....	6
Ground plate installation.....	8
Transport device.....	10
Engine installation, Honda.....	12
Transmission cover, Honda.....	14
Handle.....	16
Labels.....	18
Kits	20
One year service kit.....	20
Shock absorber repair kit.....	20
Eccentric element repair kit.....	20
Transport device kit.....	21

General information

This spare parts list applies to the following:

Part number	Description
4812 0991 26	Forward plate MV 58 Honda 350 mm (13.78 in.)

Use only authorized parts. Any damage or malfunction caused by the use of unauthorized parts is not covered by Warranty or Product Liability. Any unauthorized use or copying of the contents or any part thereof is prohibited. This applies in particular to trademarks, model denominations, part numbers, and drawings.

Instructions for use

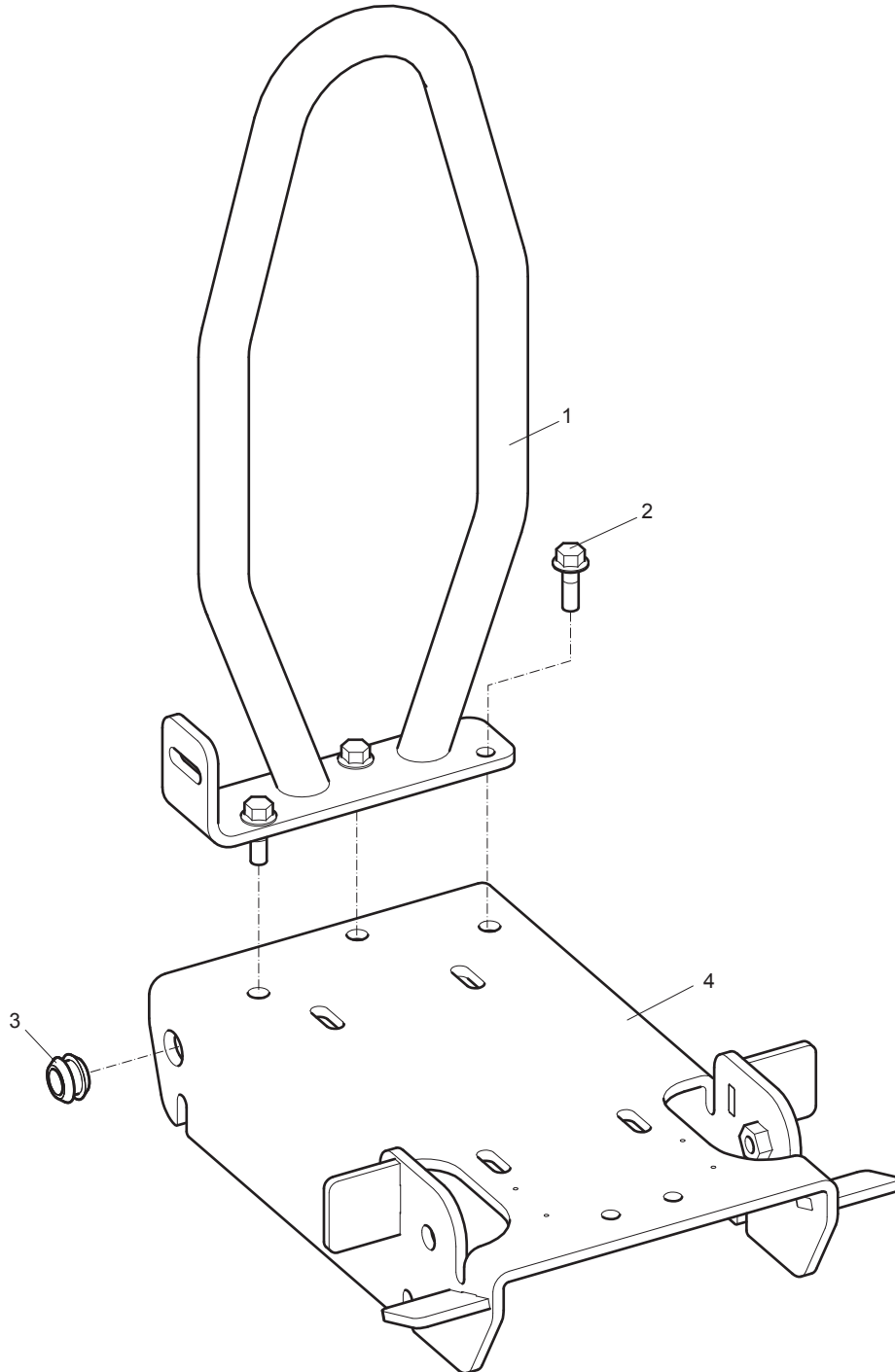
This spare parts list contains no safety regulations and is merely intended to assist in the ordering of spare parts.

For information about operating, servicing, or repairing, the relevant Safety and operating instructions must be consulted at all costs.

Please observe the safety instructions listed in the relevant Safety and operating instructions!

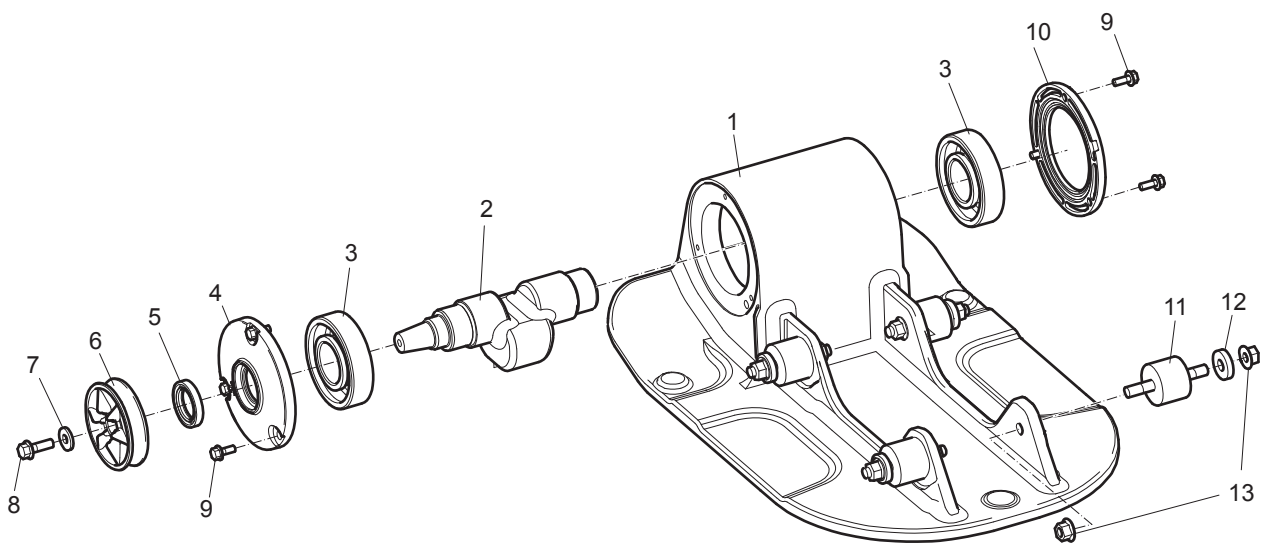
Spare parts list

Engine plate installation, Honda



No.	Description	Remark	Quantity	Part number
1	Lifting eye		1	3382 0108 48
2	Screw	M8 x 20 mm 8.8 A2K	3	-
3	Grommet		2	4700 9091 07
4	Engine plate		1	4812 0705 11

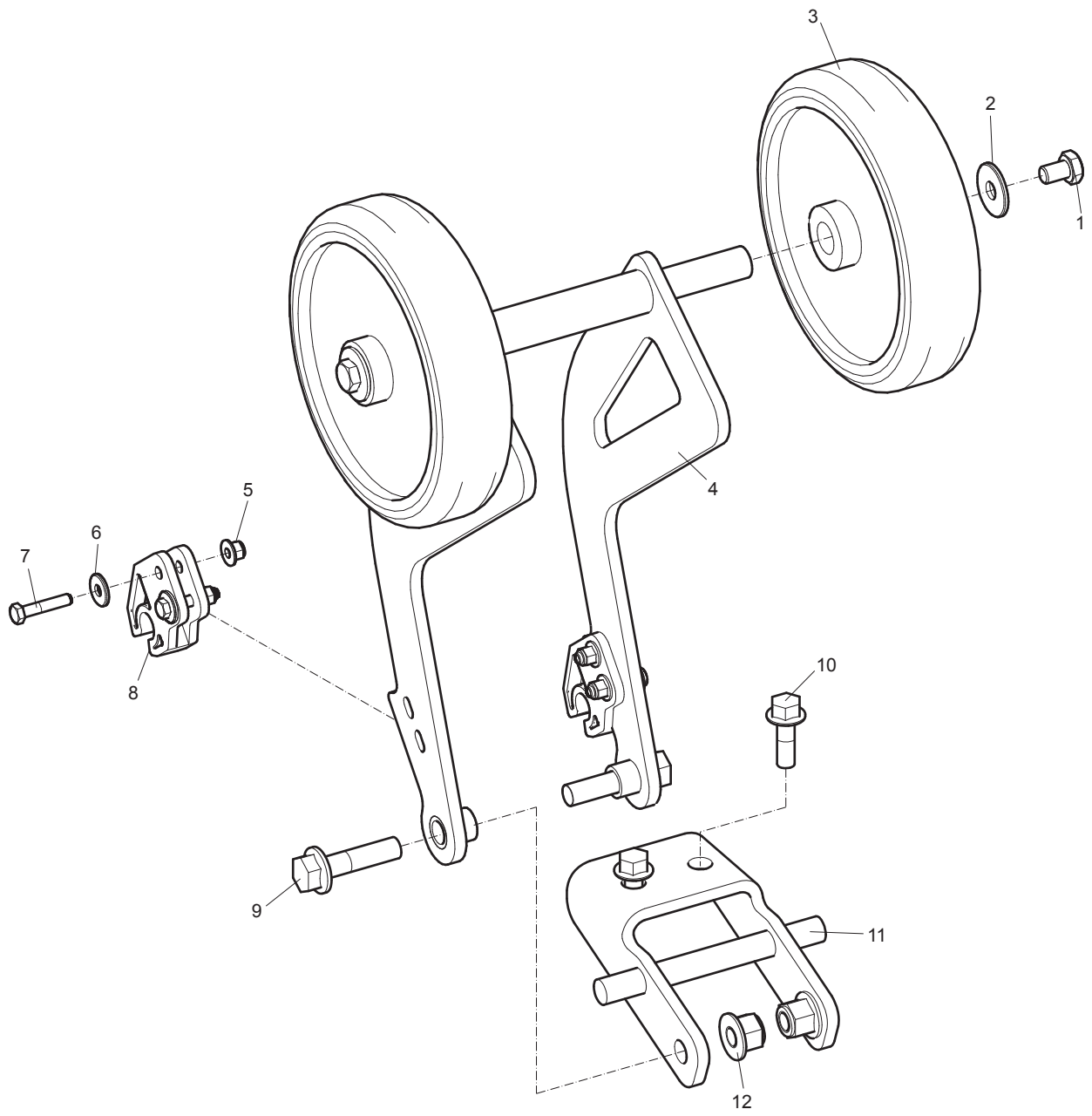
Ground plate installation



No.	Description	Remark	Quantity	Part number
1	Ground plate		1	3382 0101 47
2	Eccentric shaft		1	4700 3918 76
3	Ball bearing		2	4700 7927 10
4	Cover		1	4700 3965 48
5	Lip-type oil seal		1	4700 1631 05
6	V-belt pulley		1	4700 3950 13
7	Washer	8.4 x 22 x 3 mm 0.33 x 0.87 x 0.12 in. HV300	1	-
8	Screw	M8 x 25 mm 8.8 A2K	1	-
9	Screw	M6 x 16 mm 8.8 A2K	6	-
10	Cover		1	4700 3965 49
11	Shock absorber		4	4700 7927 06
12	Washer	10.5 x 28 x 6 mm 0.41 x 1.10 x 0.24 in. 300 HV	4	-
13	Nut	M10 x 1.5 mm GEOMET®	8	4700 5701 03

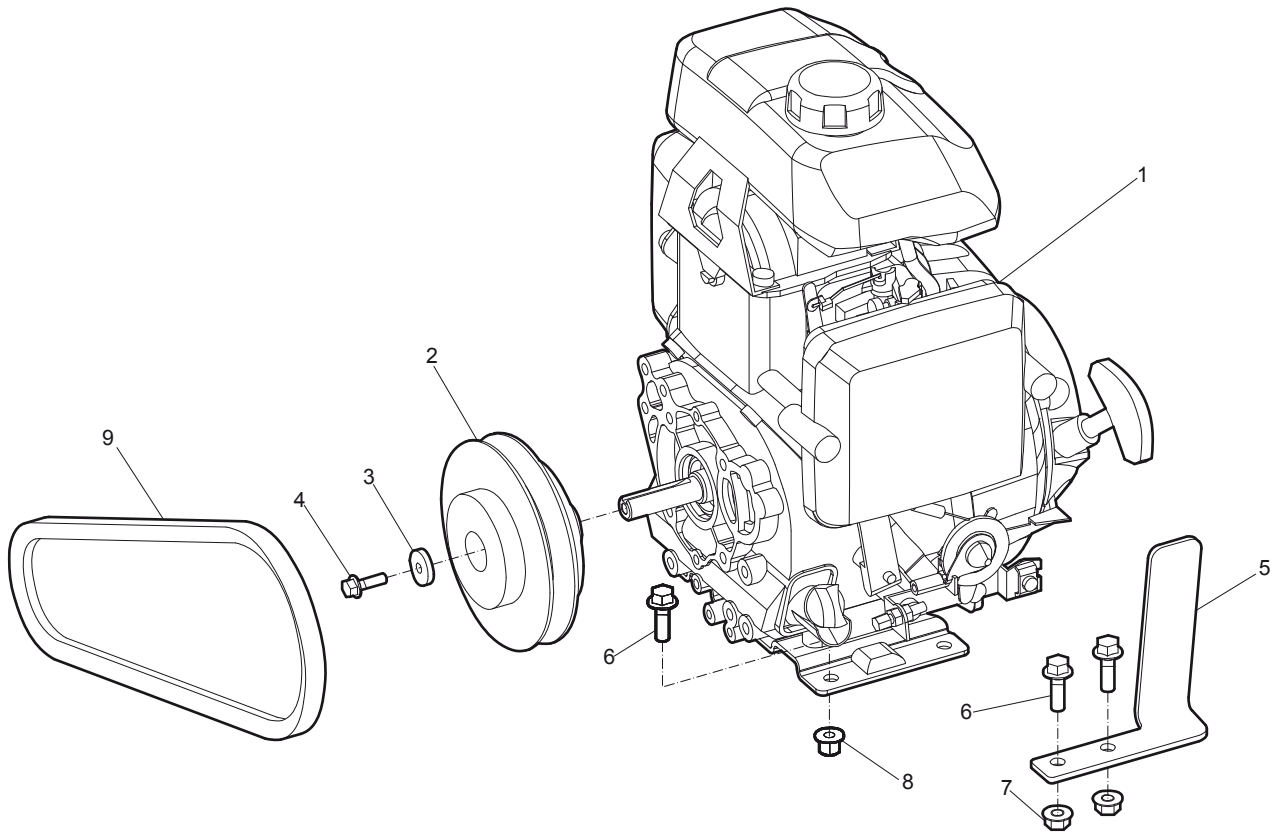
GEOMET is a registered trademark of Nof Metal Coatings North America Inc.

Transport device



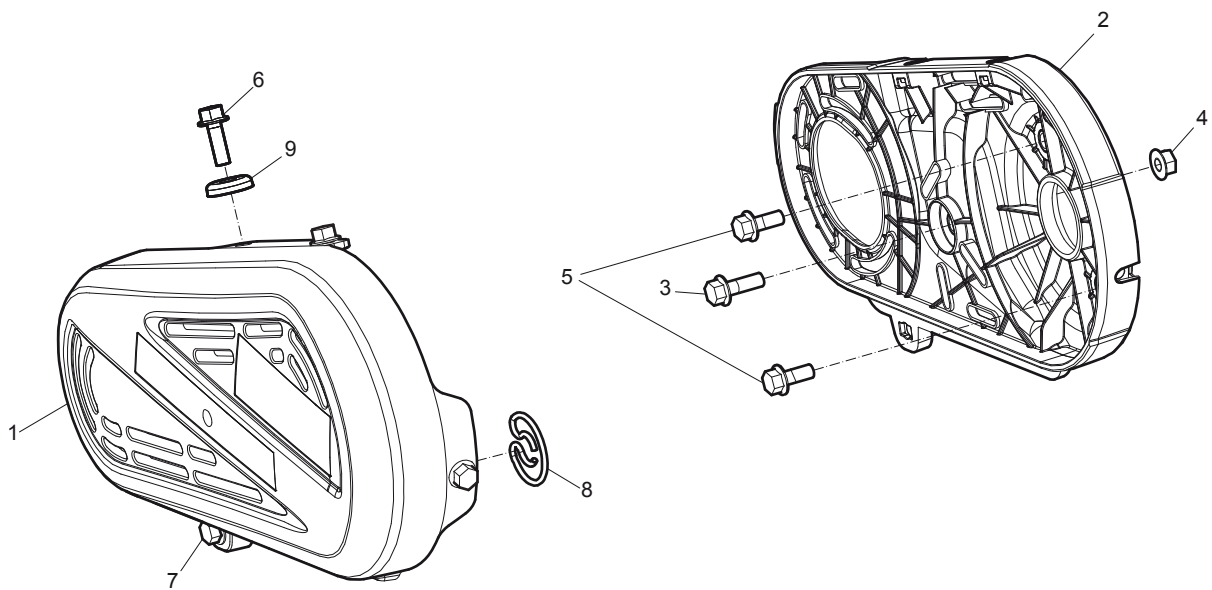
No.	Description	Remark	Quantity	Part number
1	Screw	M8 x 12 mm 8.8 A2K	2	-
2	Washer	8.4 x 25 x 2 mm 0.33 x 0.98 x 0.08 in.	2	-
3	Wheel		2	4700 3835 82
4	Bracket		1	4700 3931 58
5	Nut	M5 A2K	4	-
6	Washer	8.4 x 25 x 2 mm 0.33 x 0.98 x 0.08 in.	4	-
7	Screw	M5 x 25 mm 8.8 A2K	4	-
8	Clip		2	-
9	Screw with flange	M10 x 40 mm 8.8 A3K	2	-
10	Screw	M8 x 25 mm 8.8 A2K	2	-
11	Bracket		1	4700 3931 59
12	Nut	M10 x 1.5 mm A3K	2	-

Engine installation, Honda



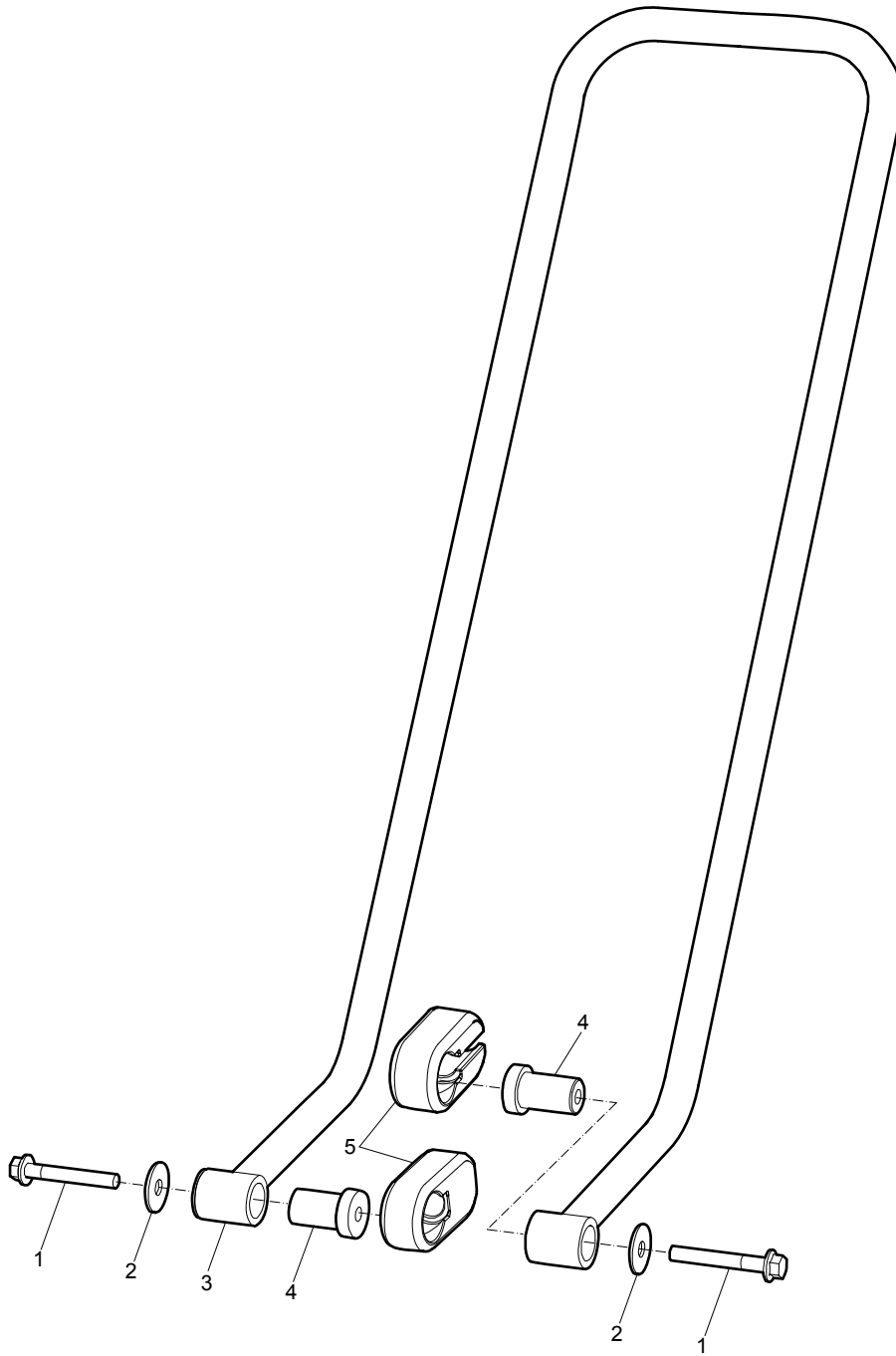
No.	Description	Remark	Quantity	Part number
1	Engine	Honda GX100 SE3 OH	1	4700 3879 90
2	Centrifugal clutch		1	4700 3919 93
3	Washer	6.4 x 22 x 4 mm 0.25 x 0.87 x 0.16 in. 300 HV	1	-
4	Screw	M6 x 20 mm 8.8 A2K	1	-
5	Protective plate		1	4700 3959 38
6	Screw	M8 x 25 mm 8.8 A2K	6	-
7	Nut	M8 x 1.25 mm A2K	2	-
8	Lock nut	M8 x 1.25 mm A2K	4	-
9	V-belt		1	4700 3956 57

Transmission cover, Honda



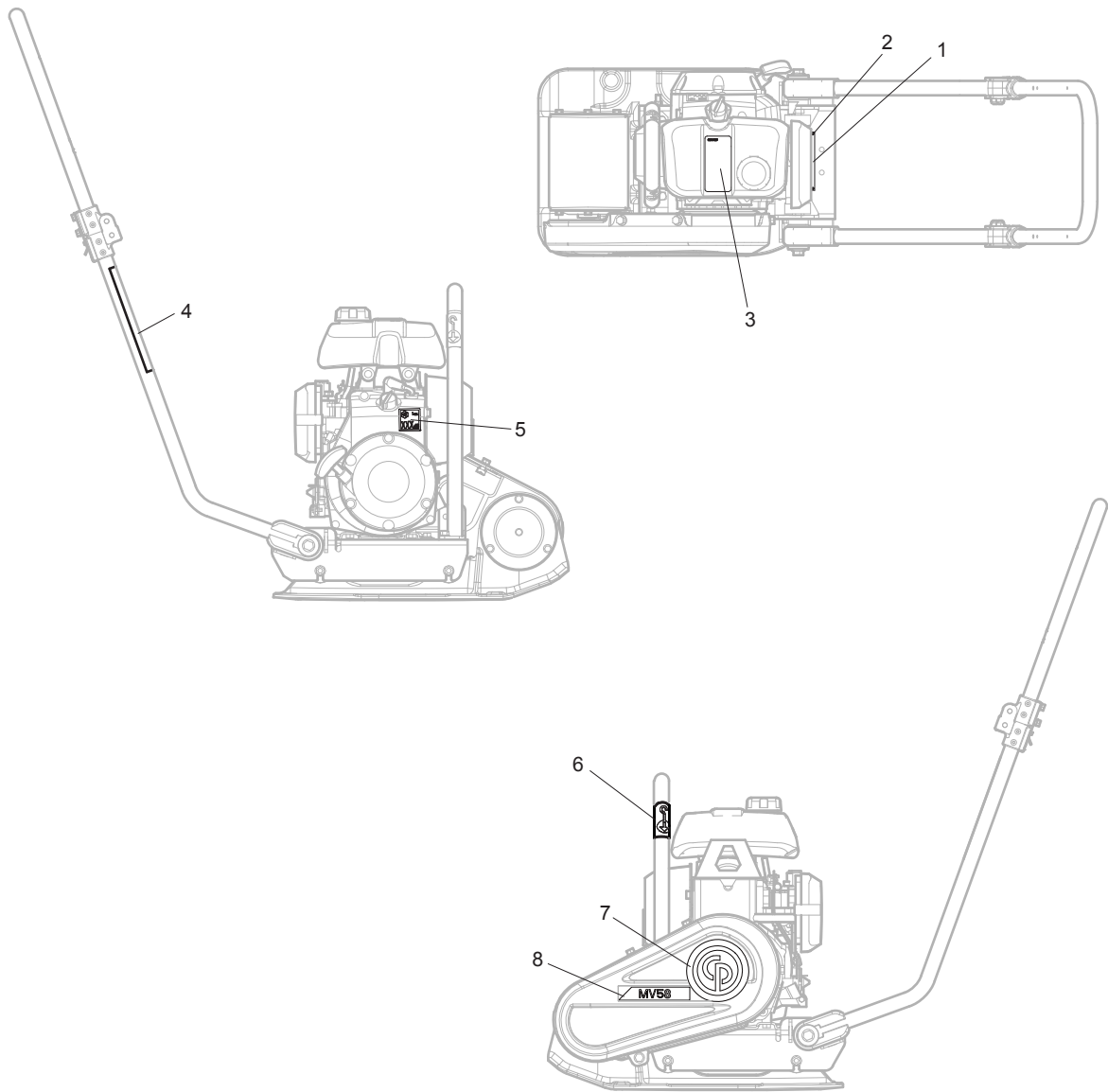
No.	Description	Remark	Quantity	Part number
1	Belt guard	Outer	1	4812 0705 13
2	Belt guard	Inner	1	4700 3939 66
3	Screw	M8 x 25 mm 8.8 A2K	1	-
4	Nut	M8 x 1.25 mm A2K	1	-
5	Screw	M8 x 20 mm 8.8 A2K	2	-
6	Screw	M8 x 30 mm 8.8 A2K	3	-
7	Screw		1	4812 0703 68
8	Lock spring		1	4812 0704 31
9	Washer		3	4812 0703 64

Handle



No.	Description	Remark	Quantity	Part number
1	Screw	M10 x 70 mm 8.8 A3K	2	-
2	Washer	11 x 35 x 2 mm 0.43 x 1.37 x 0.08 in.	2	-
3	Handle		1	3382 0106 45
4	Sleeve bearing		2	4700 3920 84
5	Shock absorber		2	4700 3918 22

Labels



No.	Description	Remark	Quantity	Part number
1	Data plate		1	-
2	Drive screw		4	-
3	Label	Assembly	1	4700 3947 08
4	Label	Start instruction	1	4700 3947 04
5	Noise level label		1	4700 7912 88
6	Label	Lift point	2	4700 3575 87
7	Product label	"Chicago Pneumatic"	1	3315 3856 05
8	Product label	"MV 58"	1	4812 0705 52

Kits

One year service kit

One year service kit

Part number 3382 1000 00

Description	Remark	Quantity	Part number
Inner air filter		5	4700 9389 32
Outer air filter		5	4700 9389 33
Gasket	For oil dipstick	1	4700 9384 77
V-belt	See section "Engine installation"	1	4700 3956 57
Starting rope		1	4700 9396 90
Spark plug		1	4700 9389 34

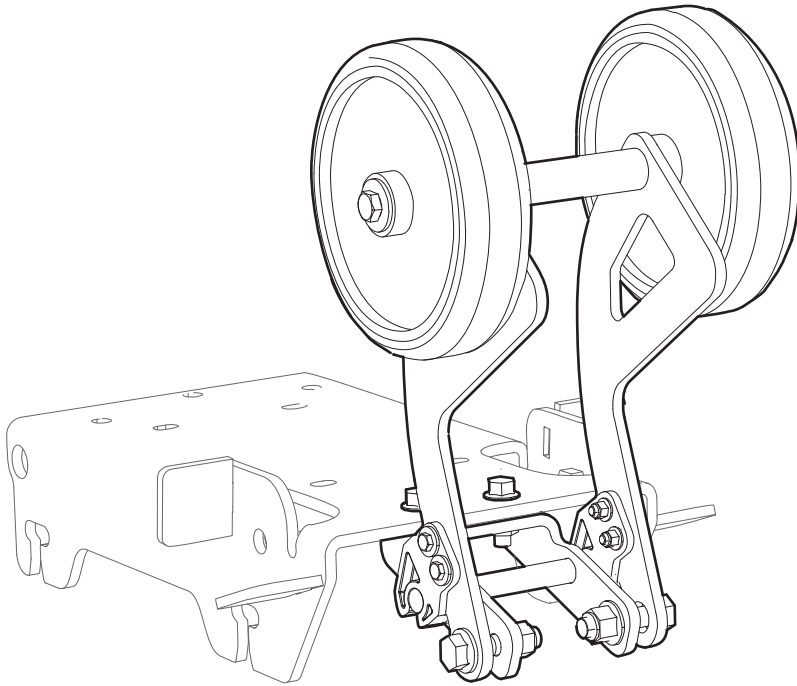
Shock absorber repair kit

Description	Remark	Quantity	Part number
Shock absorber repair kit		1	3382 1000 05
Shock absorber	For ground plate See section "Ground plate installation".	4	4700 7927 06
Washer	10.5 x 28 x 6 mm 0.41 x 1.10 x 0.24 in. 300 HV See section "Ground plate installation".	4	-
Nut	M10 A3K See section "Ground plate installation".	8	-
Shock absorber	For handle See section "Handle, standard".	2	4700 3918 22
Washer	11 x 35 x 2 mm 0.43 x 1.38 x 0.08 in See section "Handle, standard".	2	-
Screw	M10 x 70 mm 8.8 A3K See section "Handle, standard".	2	-

Eccentric element repair kit

Description	Remark	Quantity	Part number
Eccentric element repair kit		1	3382 1000 03
Screw	M8 x 25 mm 8.8 A2K See section "Ground plate installation".	1	-
Washer	8.4 x 22 x 3 mm 0.33 x 0.87 x 0.12 in. HV300 See section "Ground plate installation".	1	-
Oil seal	See section "Ground plate installation".	1	4700 1631 05
Screw	M6 x 16 mm 8.8 A2K See section "Ground plate installation".	6	-
Bearing	See section "Ground plate installation".	2	4700 7927 10

Transport device kit



Description	Remark	Quantity	Part number
Transport device kit		1	4812 0701 63
Wheel bracket		1	-
Nut	M10 x 1.5 mm A3K	2	-
Screw	M10 x 40 mm 8.8 A3K	2	-
Screw	M8 x 25 mm 8.8 A2K	2	-
Bracket		1	-
Wheel		2	-
Clip		2	-
Nut	M5 A2K	4	-
Screw	M5 x 25 mm 8.8 A2K	4	-
Washer	8.4 x 25 x 2 mm 0.33 x 0.98 x 0.08 in.	4	-
Washer	8.4 x 25 x 2 mm 0.33 x 0.98 x 0.08 in.	2	-
Screw	M8 x 12 mm 8.8 A2K	2	-

